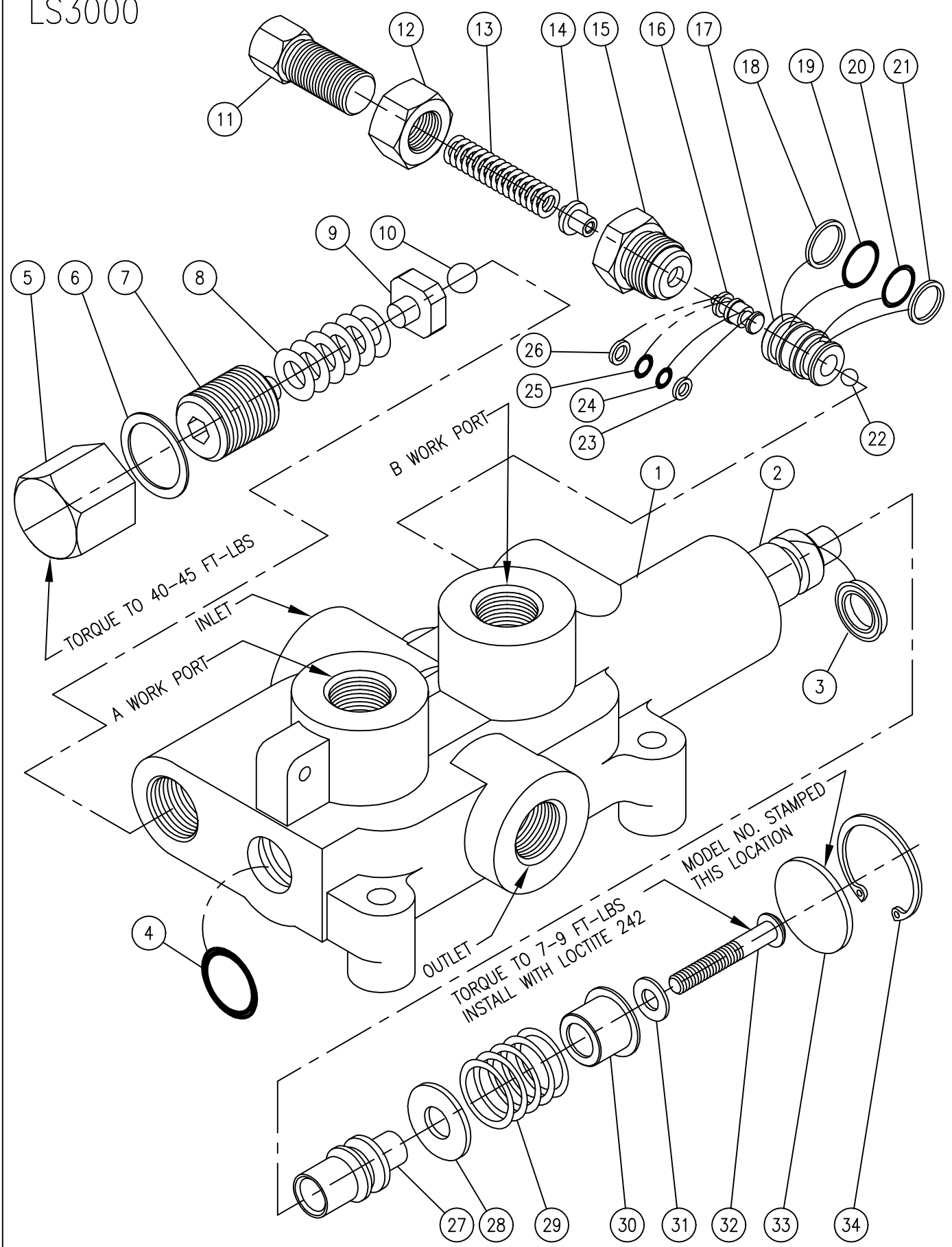


LS3000



LS3000 VALVE

LS3000 VALVE

ITEM	QTY	PART NO.	DESCRIPTION
1	1		VALVE BODY
2	1		SPOOL
3	1*	240016086	U-CUP
4	1*	240000210	210 O-RING
5	1	671800009	ACORN NUT
6	1*	671500008	ALUM. WASHER
7	1	671900007	ADJUSTING SCREW
8	1	670300024	SPRING
9	1	671100013	ADAPTER
10	1	230009003	STEEL BALL
11	1	671900016	ADJUSTING SCREW
12	1	671800013	NUT
13	1	670300033	SPRING
14	1	671100016	SPRING ADAPTER
15	1	671600052	PLUG
16	1	671100011	PISTON
17	1	671100012	PISTON SLEEVE
18	1*	240019014	014 BACK-UP WASHER
19	1*	240000014	014 O-RING
20	1*	240000013	013 O-RING
21	1*	240019013	013 BACK-UP WASHER
22	1	230009009	STEEL BALL
23	1*	240019007	007 BACK-UP WASHER
24	1*	240016067	O-RING (SPECIAL)
25	1*	240016068	O-RING (SPECIAL)
26	1*	240019008	008 BACK-UP WASHER
27	1	670700019	SPOOL SLEEVE
28	1	670500033	WASHER
29	1	670300020	SPRING
30	1	671400010	STOP CUP
31	1	670500026	WASHER
32	1	220000953	CAP SCREW
33	1	670500032	SPACER
34	1*	230001125	SNAP RING
	*	660530001	PACKING KIT

These are matched parts and are not sold separately.

RELIEF KIT NO. 660125004

DETENT ADJUSTING CART. PART NO. 660330002

PRESSURE RELEASE DETENT KIT NO. 660130007

PLEASE NOTE:
BEFORE REMOVING SPOOL OR SPOOL SLEEVE
ITEM 27 THE PRESSURE RELEASE DETENT PARTS
ITEMS 11-16 AND BALL ITEM 22 MUST BE
REMOVED. ALSO SPOOL AND SPOOL SLEEVE
MUST BE IN PLACE BEFORE INSTALLING
THESE PARTS.

SEE PAGE 8 FOR HANDLE KIT.
SEE PAGE 9 & 10 FOR LS-3030, LS-3040.

PRESSURE RELEASE DETENT

This feature provides a pressure release detent for the spool 'out' (handle in) position. When the spool is manually placed in the detent position oil is directed to the 'B' work port (the port away from the handle). When the pressure in the 'B' port reaches a preset level the detent will release and the spool will center. The factory setting is 1400 psi. The detent release pressure is adjustable by loosening the jam nut, item 12, and turning the adjusting screw, item 11. Turning the adjusting screw clockwise will increase the detent release pressure and counterclockwise will decrease the pressure. NOTE; if the detent release pressure is adjusted too high the spool will not center, if the pressure is too low the detent will not hold.

RELIEF VALVE

An adjustable ball spring relief valve is standard on all LS-3000 valves. The standard factory setting is 2250 psi @ 3 gpm and 120°F. Other settings can be specified.

The relief pressure is adjusted by removing the acorn nut, item 5, and turning the adjusting screw, item 7. Turning the adjusting clockwise will increase the pressure and counterclockwise will decrease the pressure (a pressure gauge must be installed in the inlet line when ever the relief pressure is adjusted).



WARNING: OVERPRESSURE MAY CAUSE SUDDEN AND UNEXPECTED FAILURE OF A COMPONENT IN THE HYDRAULIC SYSTEM RESULTING IN SERIOUS PERSONAL INJURY. ALWAYS USE A GAUGE WHEN ADJUSTING A RELIEF VALVE.