

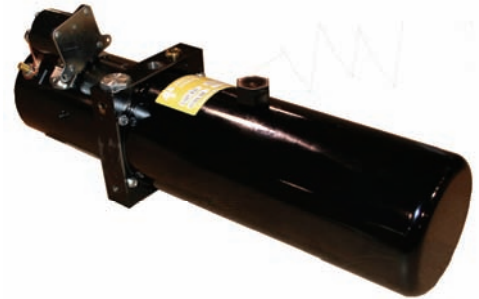
HP200 Series



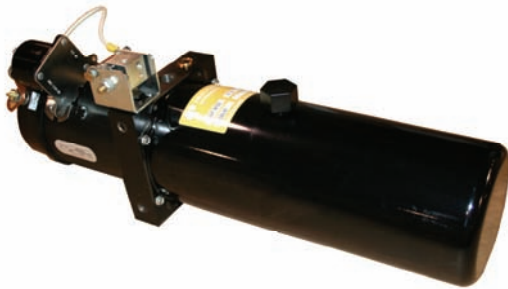
HP203 Series



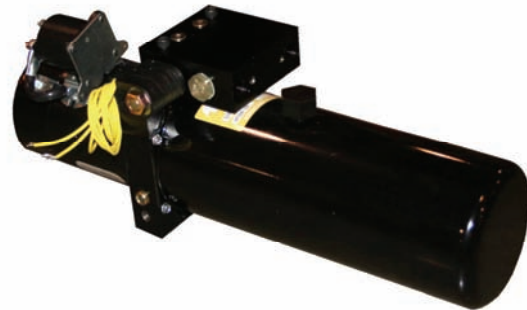
HP204 Series



HP205 Series



HP208 Series



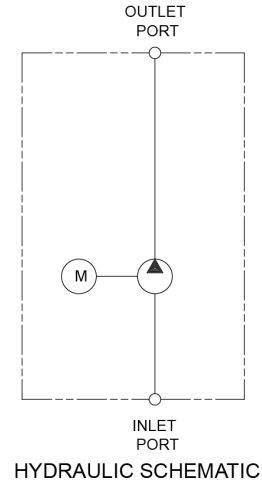
INDEX

<u>Description</u>	<u>Page</u>
HP200 Series - Pump/Motor	69
HP203 Series – Lift, Check and Dump	71
HP204 Series – Check and Relief	73
HP205 Series – Lift, Check and Manual Lower	75
HP208 Series – Power Up/Down	77

WARNING: The specifications/application data shown in our catalogs and data sheets are intended only as a general guide for the product described (herein). Any specific application should not be undertaken without independent study, evaluation, and testing for suitability.



HP200 Series - Pump/Motor



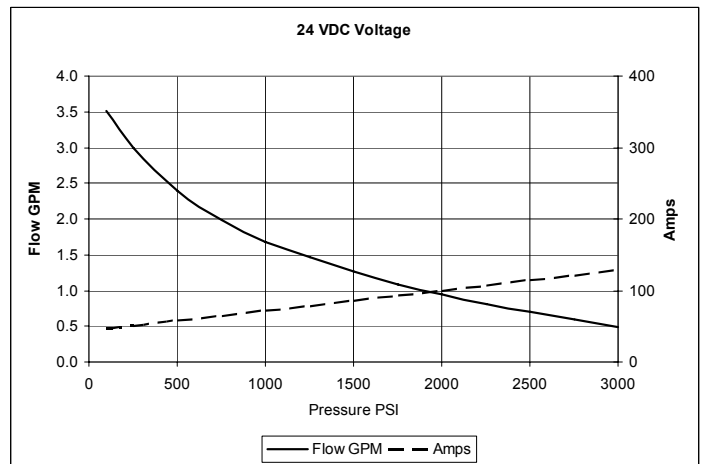
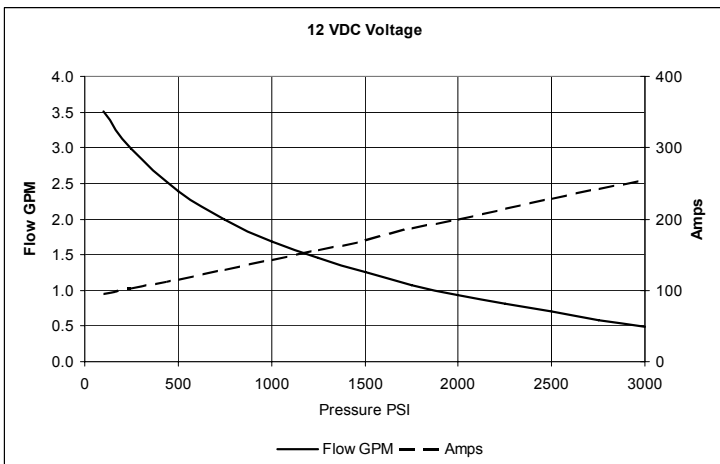
High Performance 12 or 24 VDC Power Packages

Combining basic engineering principles with application proven components brings together several standard DC power units.

Delta HP series provides many advantages; compactness, integrated circuitry, cast iron pumps with anti-friction bearings and matched energy efficient DC Motors.

Pump / Motor Specifications

Duty Cycle - Intermittent. Typically, 1 minute on time requires 4 minutes off time. Loads above 150 amps require shorter run times/or longer off times.

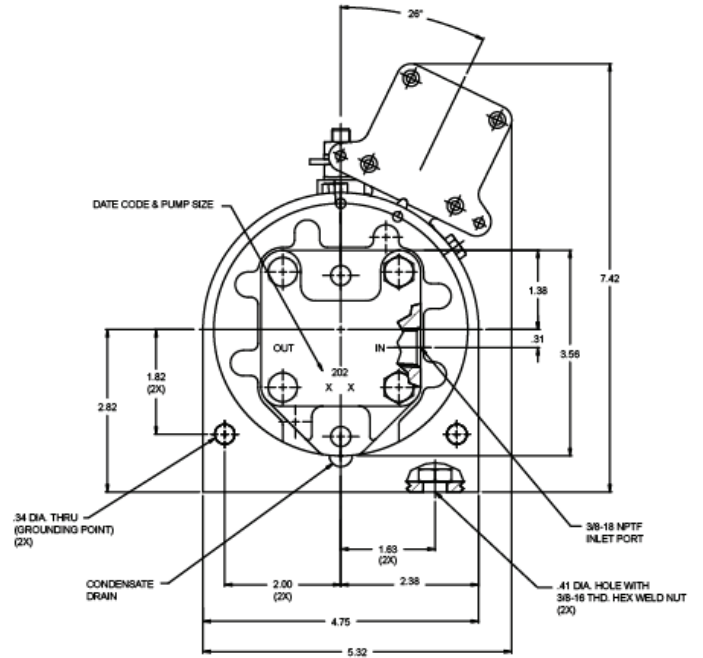
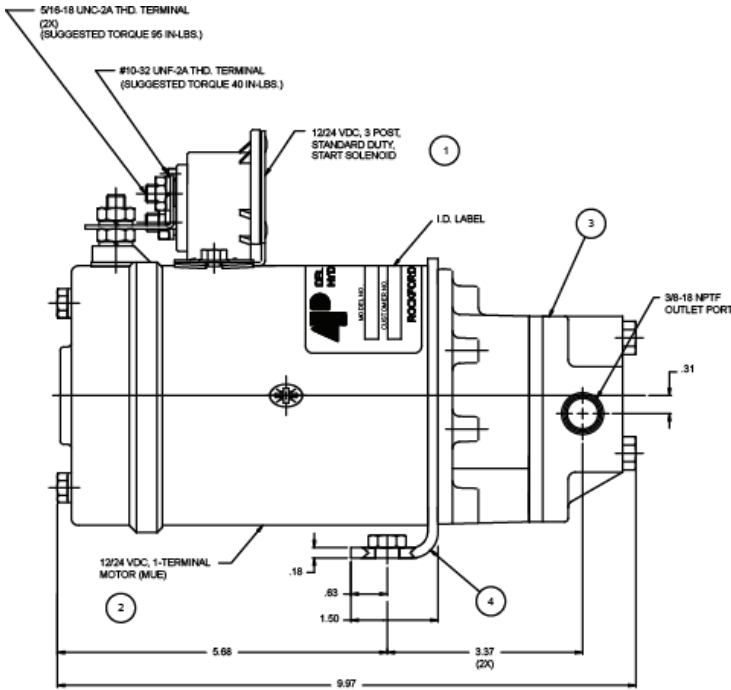


300-400 SSU Hydraulic oil @100° F

WARNING: The specifications/application data shown in our catalogs and data sheets are intended only as a general guide for the product described (herein). Any specific application should not be undertaken without independent study, evaluation, and testing for suitability.

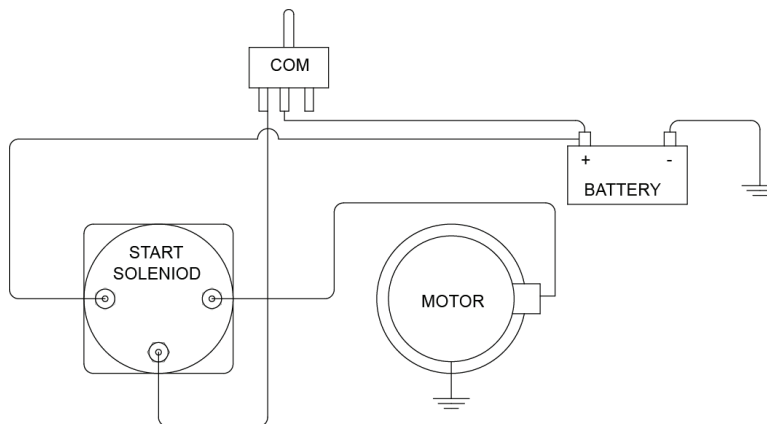


HP200 Series Pump/Motor Unit



ORDERING - SERVICE PARTS

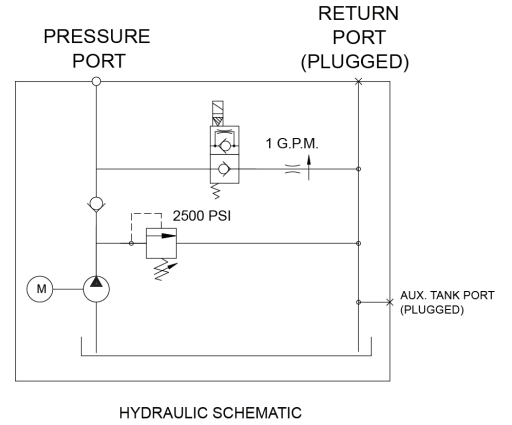
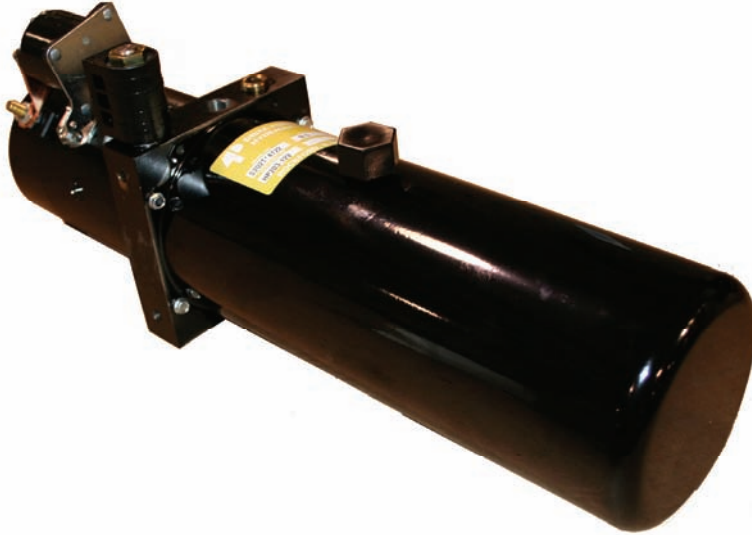
ITEM	PART NO.	QTY.	DESCRIPTION
1	32500088	1	12 DC SOL. START SW. (32500088-24VDC)
2	30850023	1	12 VDC MOTOR (30850024 24VDC)
3	30200045	1	PUMP KIT
4	50200006	1	MOUNTING FOOT
5	21100041	1	SEAL KIT



WIRING SCHEMATIC

WARNING: The specifications/application data shown in our catalogs and data sheets are intended only as a general guide for the product described (herein). Any specific application should not be undertaken without independent study, evaluation, and testing for suitability.

HP203 Series – Lift, Check and Dump



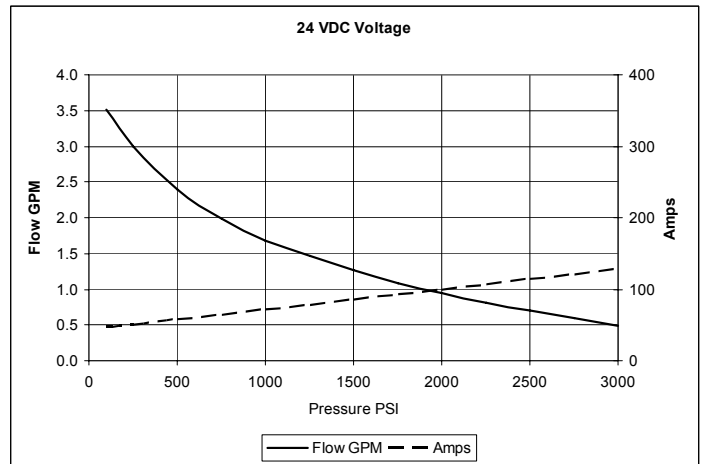
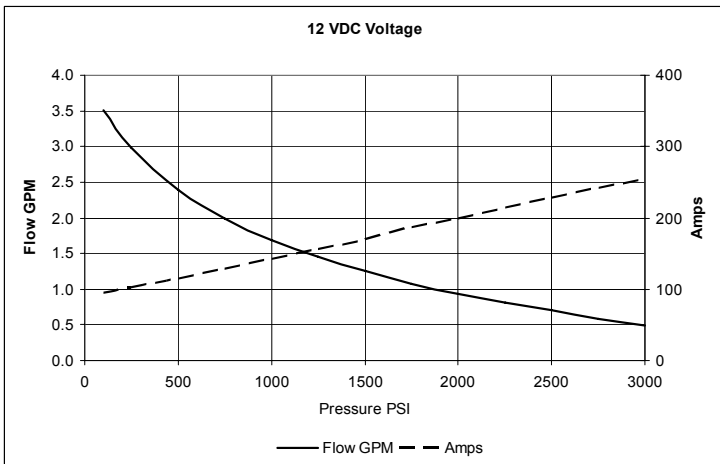
High Performance 12 or 24 VDC Power Packages

Combining basic engineering principles with application proven components brings together several standard DC power units.

Delta HP series provides many advantages; compactness, integrated circuitry, cast iron pumps with anti-friction bearings and matched energy efficient DC Motors.

Pump / Motor Specifications

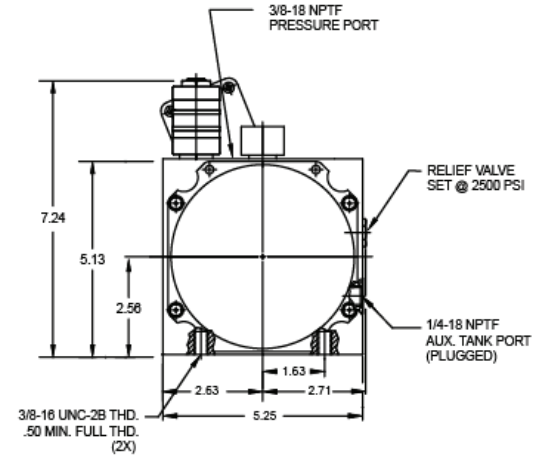
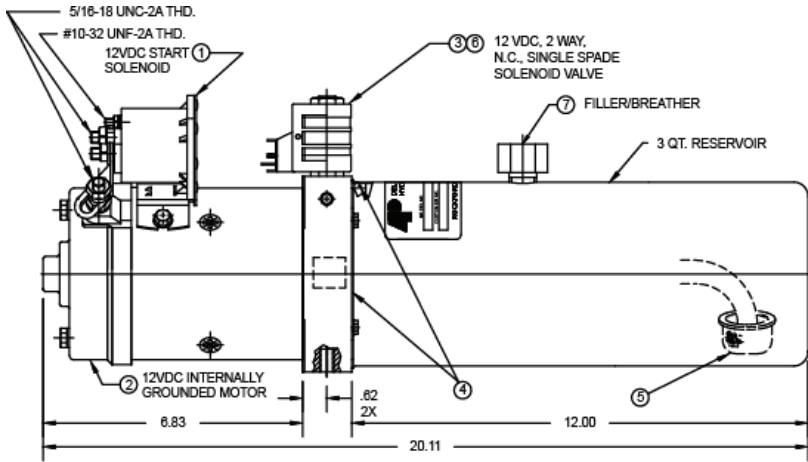
Duty Cycle - Intermittent. Typically, 1 minute on time requires 4 minutes off time. Loads above 150 amps require shorter run times/or longer off times.



300-400 SSU Hydraulic oil @100° F

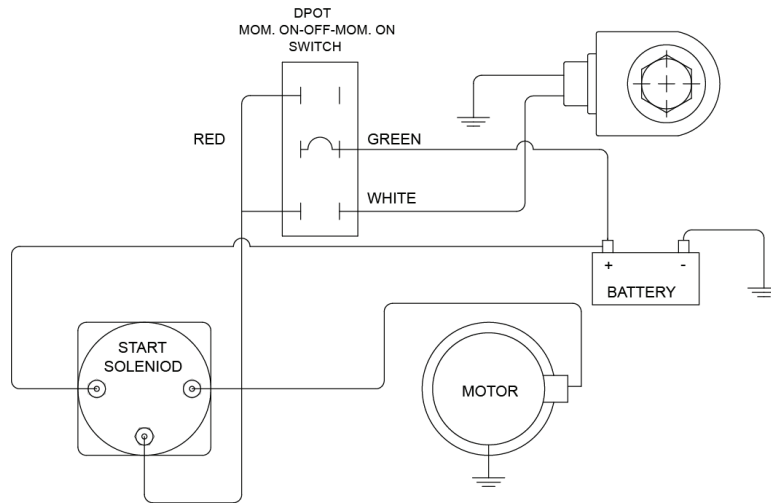
WARNING: The specifications/application data shown in our catalogs and data sheets are intended only as a general guide for the product described (herein). Any specific application should not be undertaken without independent study, evaluation, and testing for suitability.

HP203 Series Power Unit



ORDERING - SERVICE PARTS

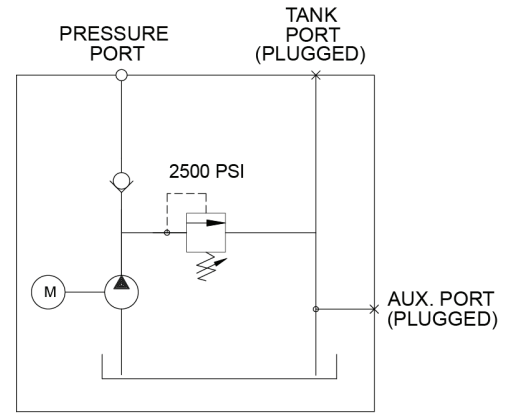
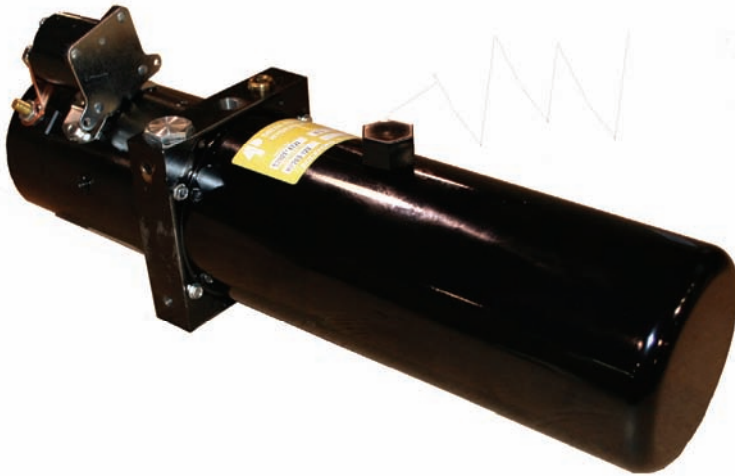
ITEM	PART NO.	QTY.	DESCRIPTION
1	32500088	1	12VDC SOL. START SW. (32500088 24VDC)
2	30850023	1	12 VDC MOTOR (30850024 - 24VDC)
3	86020189	1	2W2P NC VALVE
4	21100014	1	SEAL KIT
5	31800000	1	STRAINER
6	38020013	1	12VDC VLV. COIL (38020014 24VDC)
7	62100004	1	FILLER/BREATHER



WIRING SCHEMATIC

WARNING: The specifications/application data shown in our catalogs and data sheets are intended only as a general guide for the product described (herein). Any specific application should not be undertaken without independent study, evaluation, and testing for suitability.

HP204 Series - Check and Relief



HYDRAULIC SCHEMATIC

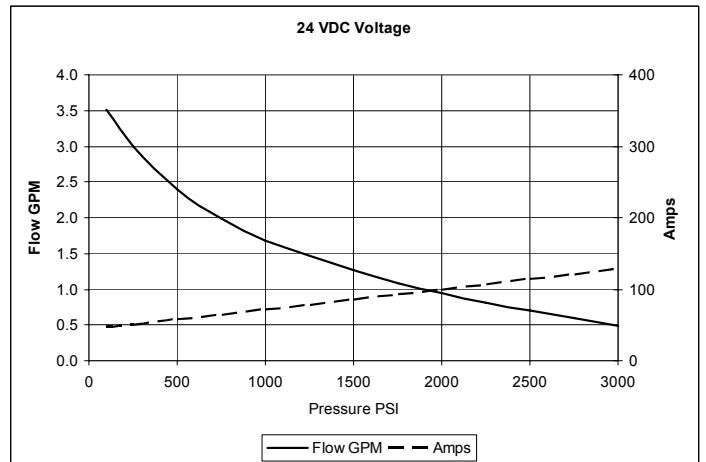
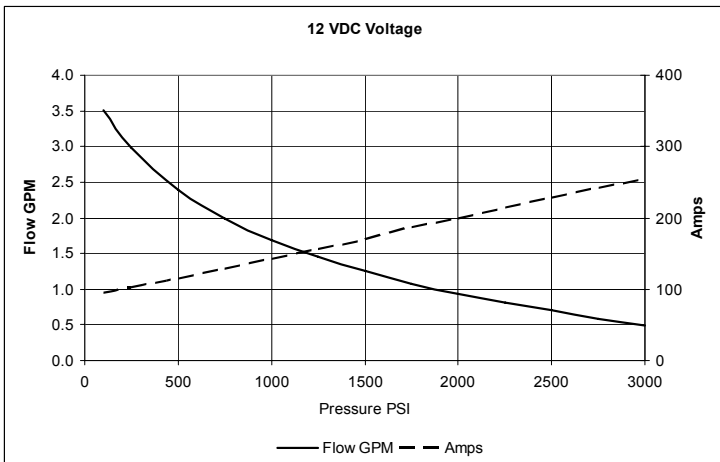
High Performance 12 or 24 VDC Power Packages

Combining basic engineering principles with application proven components brings together several standard DC power units.

Delta HP series provides many advantages; compactness, integrated circuitry, cast iron pumps with anti-friction bearings and matched energy efficient DC Motors.

Pump / Motor Specifications

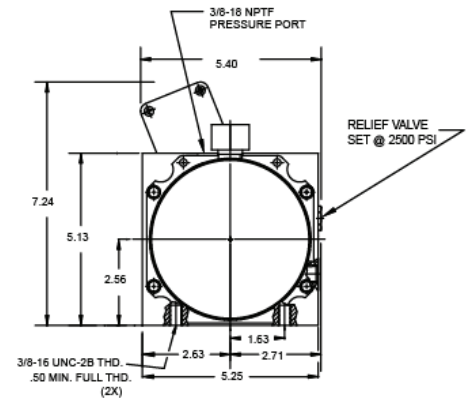
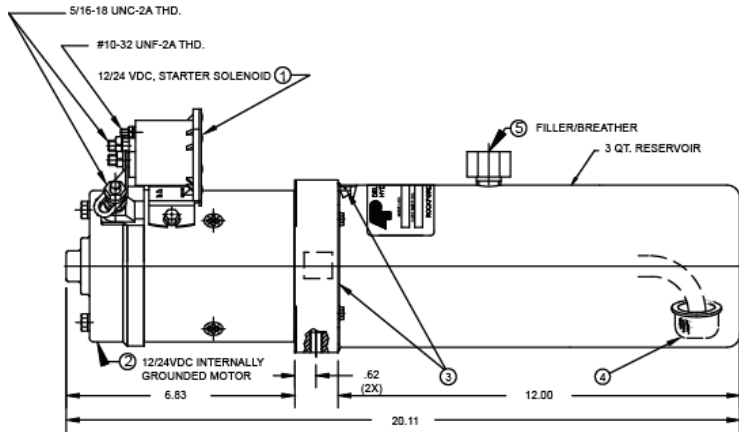
Duty Cycle - Intermittent. Typically, 1 minute on time requires 4 minutes off time. Loads above 150 amps require shorter run times/or longer off times.



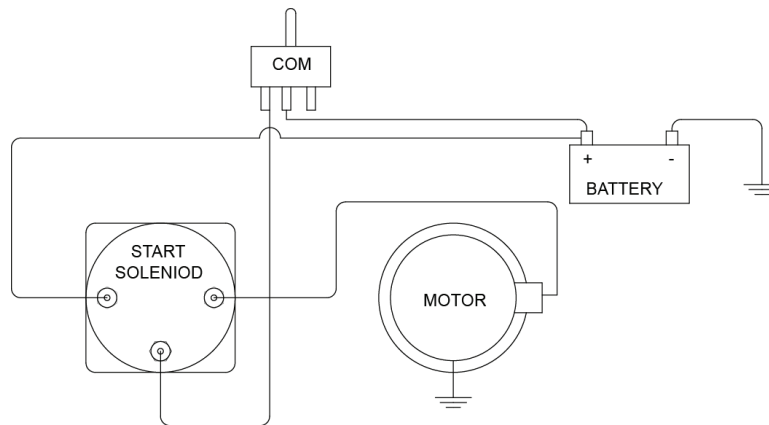
300-400 SSU Hydraulic oil @100° F

WARNING: The specifications/application data shown in our catalogs and data sheets are intended only as a general guide for the product described (herein). Any specific application should not be undertaken without independent study, evaluation, and testing for suitability.

HP204 Series Power Unit



ITEM	PART NO.	QTY.	DESCRIPTION
1	32500088	1	12V SOL START SW(24V-32500088)
2	30850023	1	12 VDC MOTOR (24V-30850024)
3	21120034	1	SEAL KIT, POWER UNIT
4	31800000	1	STRAINER
5	62100004	1	FILLER/BREATHER

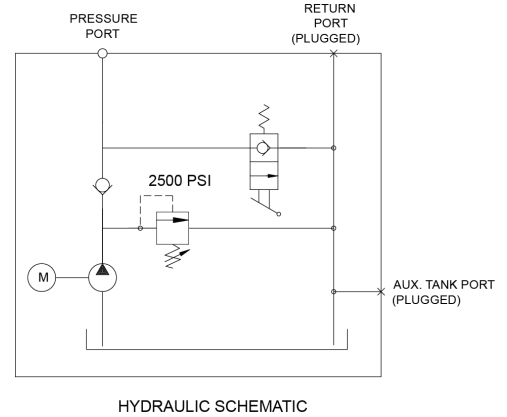
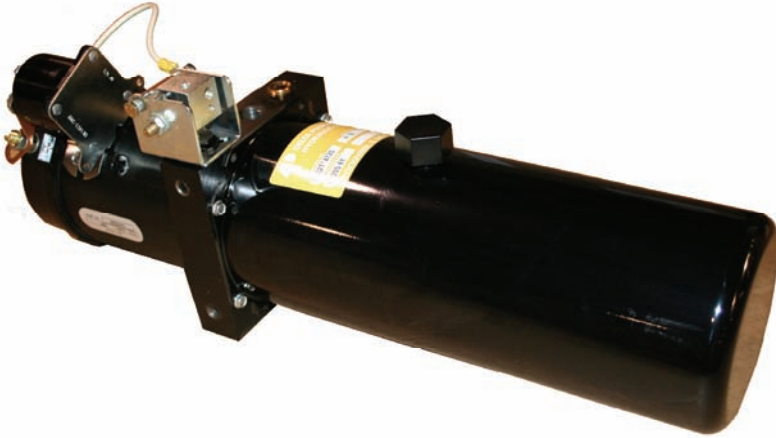


WIRING SCHEMATIC

WARNING: The specifications/application data shown in our catalogs and data sheets are intended only as a general guide for the product described (herein). Any specific application should not be undertaken without independent study, evaluation, and testing for suitability.



HP205 Series – Lift, Check and Manual Lower



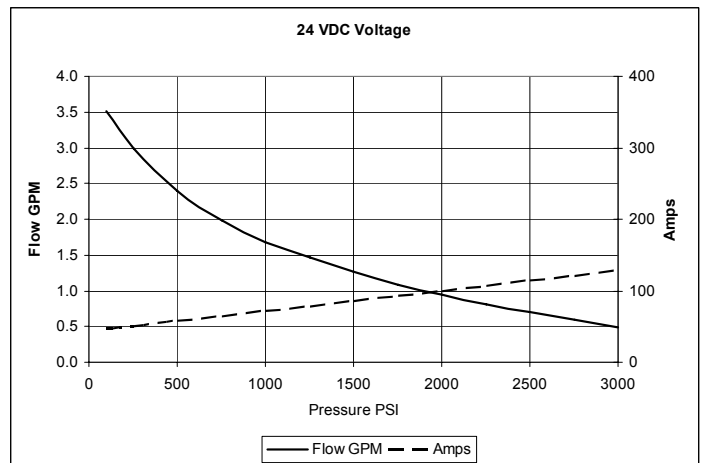
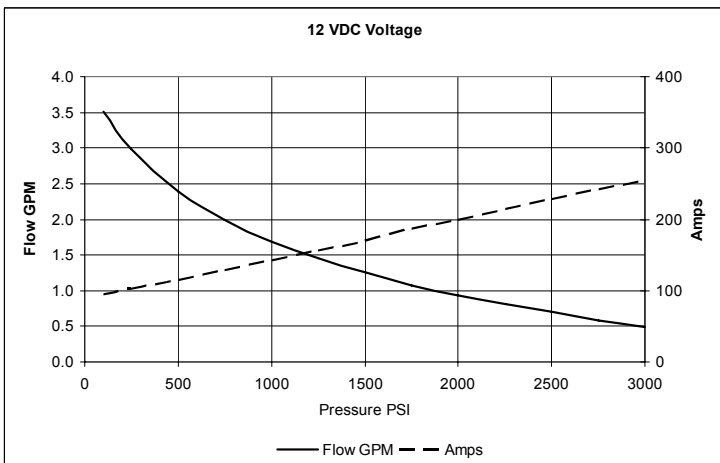
High Performance 12 or 24 VDC Power Packages

Combining basic engineering principles with application proven components brings together several standard DC power units.

Delta HP series provides many advantages; compactness, integrated circuitry, cast iron pumps with anti-friction bearings and matched energy efficient DC Motors.

Pump / Motor Specifications

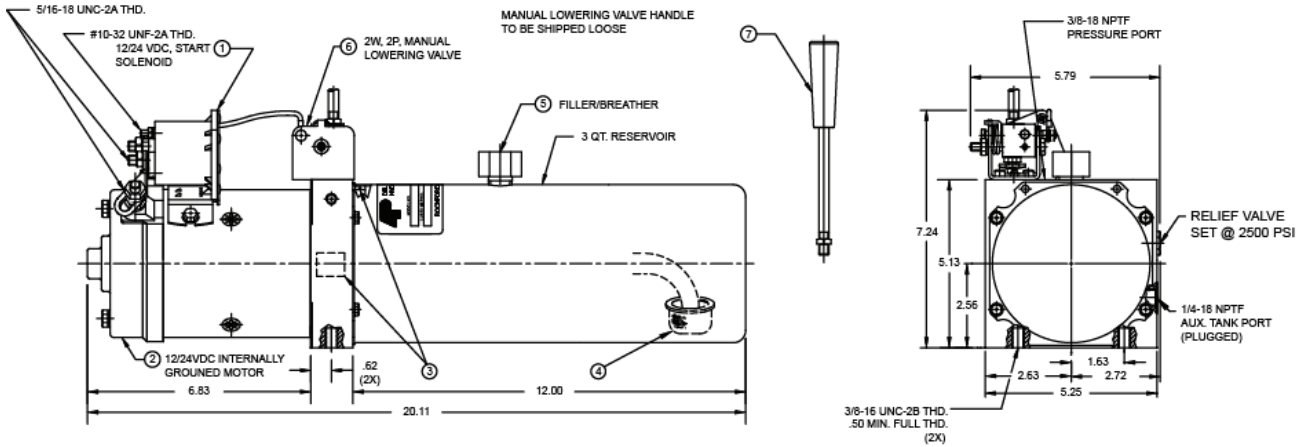
Duty Cycle - Intermittent. Typically, 1 minute on time requires 4 minutes off time. Loads above 150 amps require shorter run times/or longer off times.



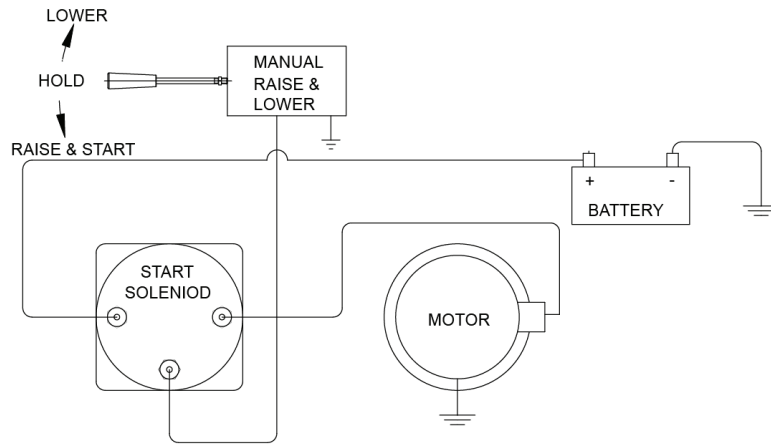
300-400 SSU Hydraulic oil @100° F

WARNING: The specifications/application data shown in our catalogs and data sheets are intended only as a general guide for the product described (herein). Any specific application should not be undertaken without independent study, evaluation, and testing for suitability.

HP205 Series Power Unit



ITEM	PART NO.	QTY.	DESCRIPTION
1	32500088	1	12V SOL START SW (12V-32500088)
2	30850023	1	12 V MOTOR (24V-30850024)
3	21120034	1	SEAL KIT, POWER UNIT
4	31800000	1	STRAINER
5	82100004	1	FILLER/BREATHER
6	32000084	1	VALVE, LOWERING
7	34200008	1	HANDLE

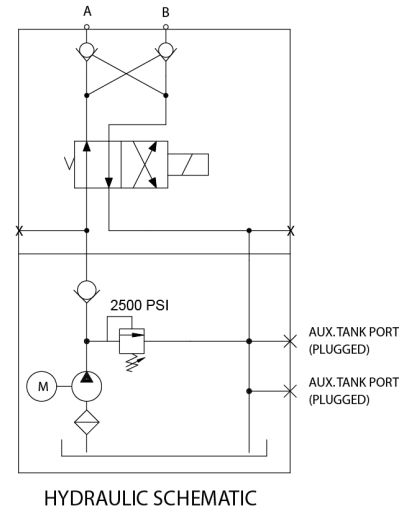
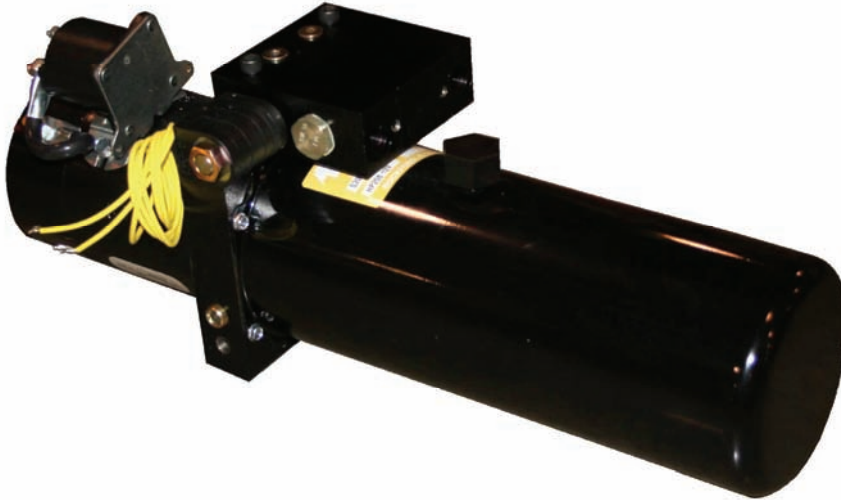


WIRING SCHEMATIC

WARNING: The specifications/application data shown in our catalogs and data sheets are intended only as a general guide for the product described (herein). Any specific application should not be undertaken without independent study, evaluation, and testing for suitability.



HP208 Series – Power Up/Down



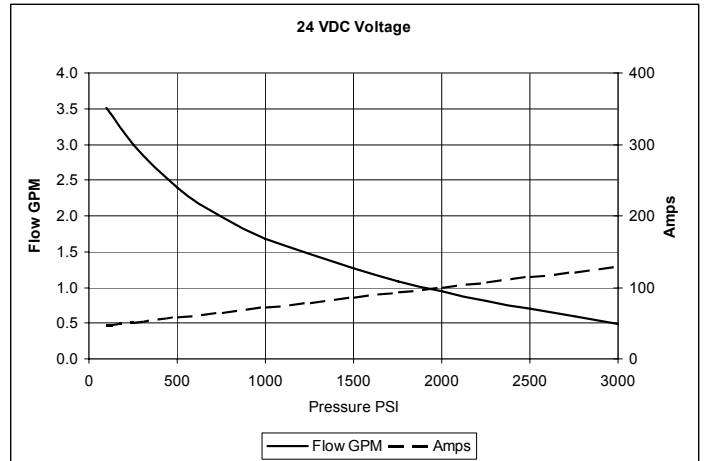
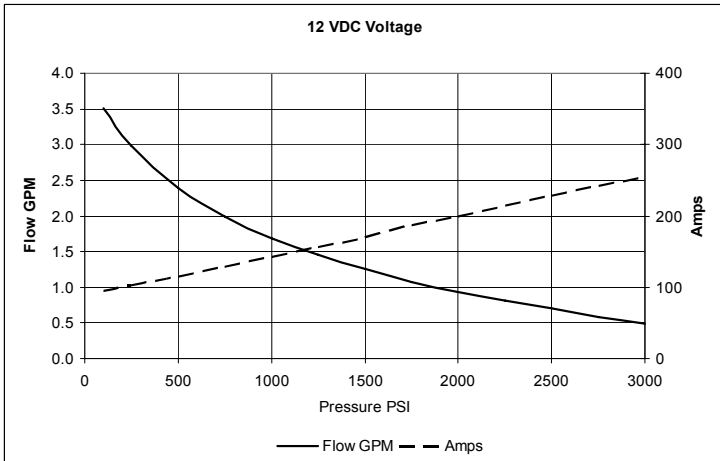
High Performance 12 or 24 VDC Power Packages

Combining basic engineering principles with application proven components brings together several standard DC power units.

Delta HP series provides many advantages; compactness, integrated circuitry, cast iron pumps with anti-friction bearings and matched energy efficient DC Motors.

Pump / Motor Specifications

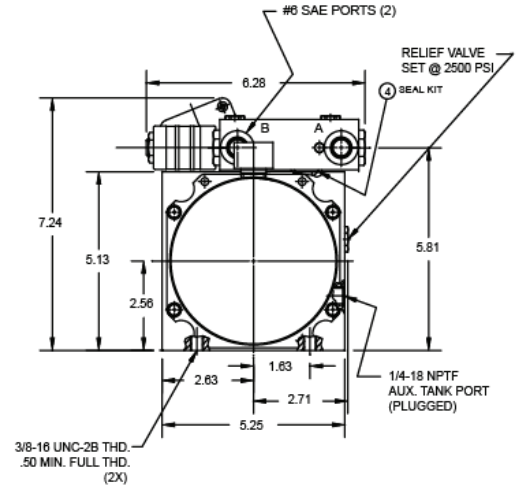
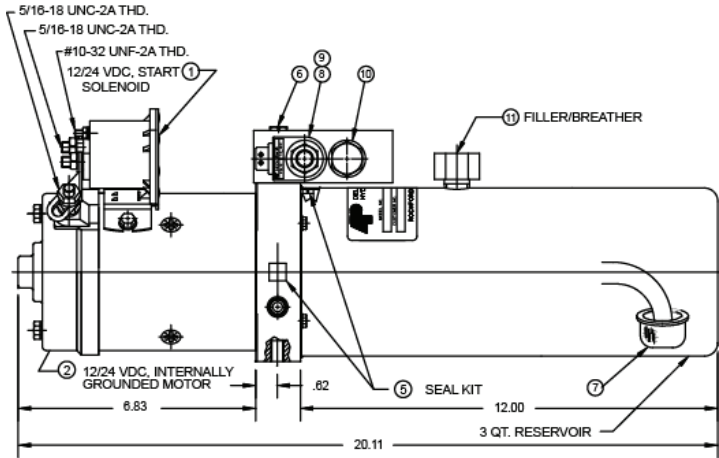
Duty Cycle - Intermittent. Typically, 1 minute on time requires 4 minutes off time. Loads above 150 amps require shorter run times/or longer off times.



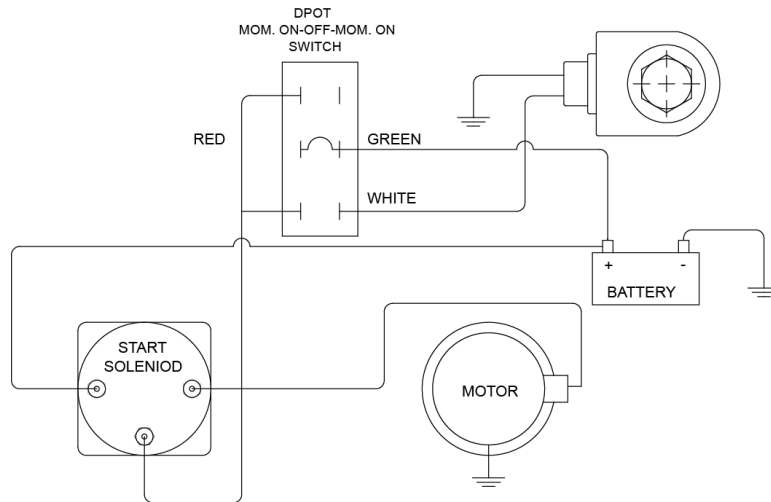
300-400 SSU Hydraulic oil @100° F

WARNING: The specifications/application data shown in our catalogs and data sheets are intended only as a general guide for the product described (herein). Any specific application should not be undertaken without independent study, evaluation, and testing for suitability.

HP208 Series Power Unit



ITEM	PART NO.	QTY.	DESCRIPTION
1	32500088	1	12V SOL START SW(24V-32500088)
2	30850023	1	12V MOTOR (24V-30850024)
3	86060087	1	MANIFOLD
4	21120033	1	SEAL KIT, MANIFOLD
5	21120034	1	SEAL KIT, POWER UNIT
6	86620004	2	BOLT, 6/16-18 X 2.0"
7	31800000	1	STRAINER
8	38000013	1	COIL 12VDC
9	86020196	1	VALVE, 4W2P
10	86020028	2	VALVE, CHECK
11	62100004	1	FILLER/BREATHER



WIRING SCHEMATIC

WARNING: The specifications/application data shown in our catalogs and data sheets are intended only as a general guide for the product described (herein). Any specific application should not be undertaken without independent study, evaluation, and testing for suitability.