



# PATRIOT

## PHD40 - PHD80 MONOBLOCK DIRECTIONAL CONTROL VALVE

PHD40 Flow Rate:	10.6 GPM
PHD80 Flow Rate:	21 GPM
Max Pressure:	4200 PSI
Operating Range:	15 ~ 75 mm <sup>2</sup> /s
Viscosity - min:	12 mm <sup>2</sup> /s
Viscosity - max:	400 mm <sup>2</sup> /s
Ambient temp Range:	-40° ~ 176° F
Sections:	Monoblock 1-7 sections

**Driven by Innovation**  
**Power Precision Performance**  
734-479-9641 [patriothyd.com](http://patriothyd.com)





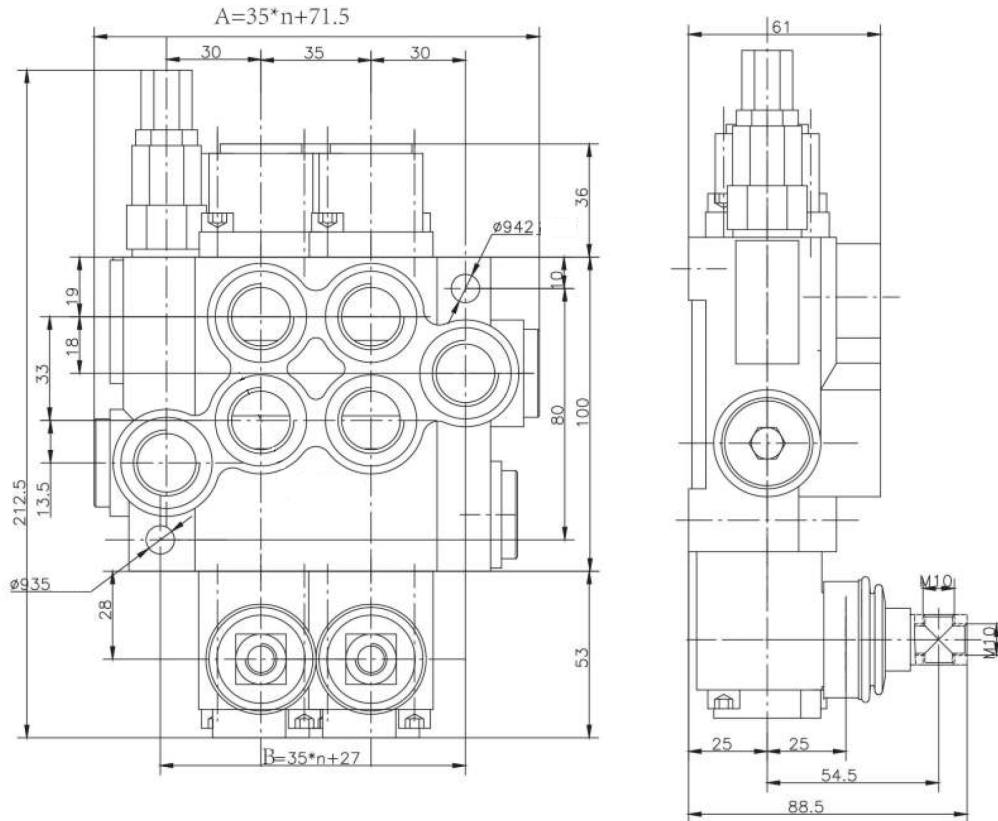
## PHD40-80 ORDERING CODE



PHD40 - 40L/min								
PHD80 - 80L/min								
Model Number	Port Size	Spool Type	Spool Attachments	Relief Valve	Inlet Location	Outlet Location	Power Beyond	Handle
PHD**-1 Single Spool	-1 (PHD40) #10 SAE In/Out #8 SAE Work	A 3 Way, 3 Position Open Center	A 3 Position Spring Center to Neutral	5 Adjustable 500-4200 PSI Set at 3000	A End	1 END(with power beyond optionA)	B Conversion plug Installed	1 With Complete Handle Assembly
PHD**-2 Two Spool	-2 (PHD80) #10 SAE In/Work #12 SAE Out	C 4 Way, 3 Position Tandem Center	B 3 Position Detent (No Centering Spring)		B Top	2 Top	C Power Beyond Plug Installed #10 SAE	2 Less Handle Only
PHD**-3 Three Spool		E 4 Way, 3 Position Open Center Motor Spool				4 END(with power beyond option B,C, D,F) Standard	D Closed Center Conversion plug Installed	3 Without Handle Assembly
PHD**-4 Four Spool		G 4 Way, 4 Position Tandem Center Float Spool						6 Straigh Joystick Handle
PHD**-5 Five Spool		*each spool type and attachment needs to be listed example: PHD40-4-1CCCCAAA6A4B1						
PHD**-6 Six Spool								
PHD**-7 Seven Spool								



# PHD40 Dimensions



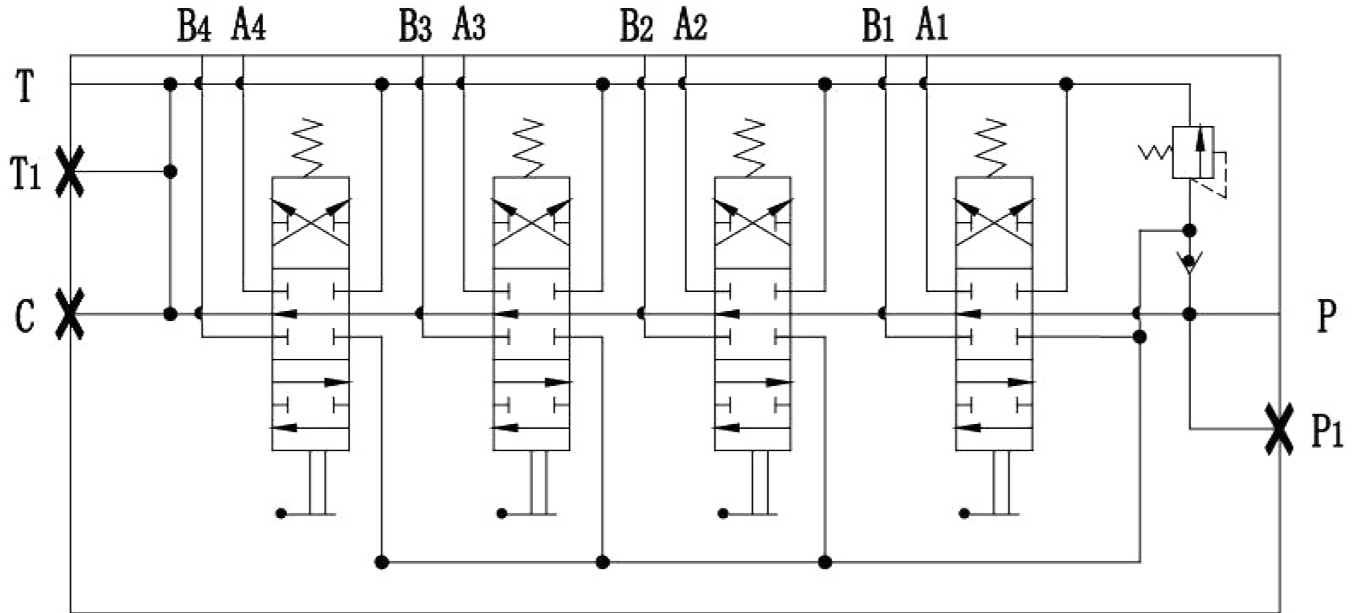
Sections	1	2	3	4	5	6	7
I(mm)	62	97	132	167	202	237	272
L(mm)	96.5	131.5	166.5	201.5	236.5	271.5	306.5



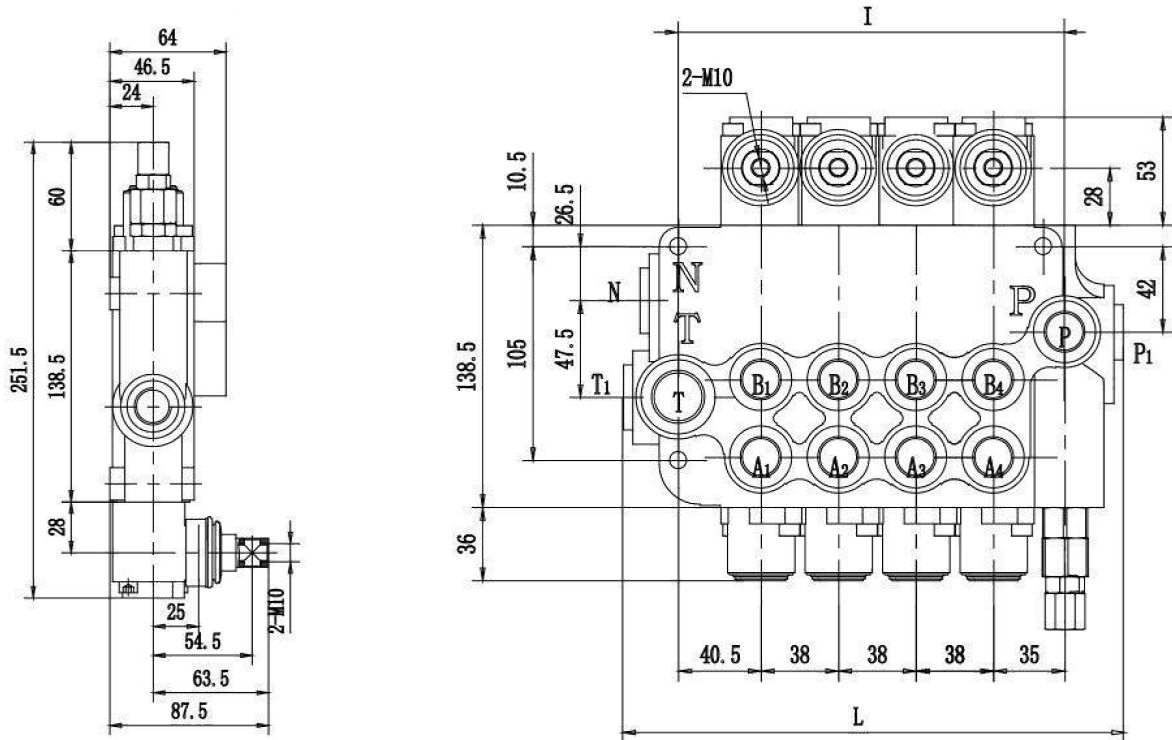


# PHD40 Hydraulic Schematic

---



# PHD80 Dimensions



Sections	1	2	3	4	5	6	
<i>I(mm)</i>	65	103	141	179	217	255	293
<i>L(mm)</i>	105	143	181	219	257	295	333





# PHD80 Hydraulic Schematic

