

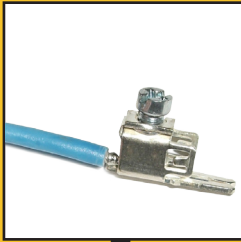
ELECTRICAL CONNECTORS

Quality DOES matter!



ELECTRICAL CONNECTORS ...quality DOES matter!

EN175301-803 (DIN43650) Connector Features

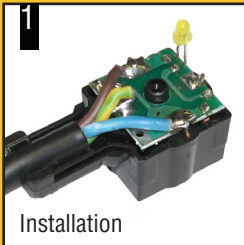
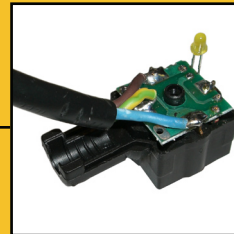


- Single One Piece Contact
- Contact Forks are Spring Loaded
- Silver Plated Contact is Standard
- Gold Plated available



- Anti Crush Spigot to prevent housing deformation
- Cross Head Contact Screws
- Wire Protection Plate (patented design)
- Contact assembly is captive in body

- All circuits on PCB
- RoHS Compliant
- Automated component assembly



1 Installation



2 Protective Cover

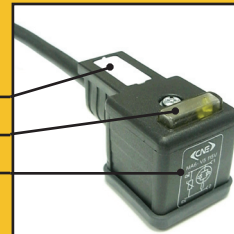


3 Over Molding

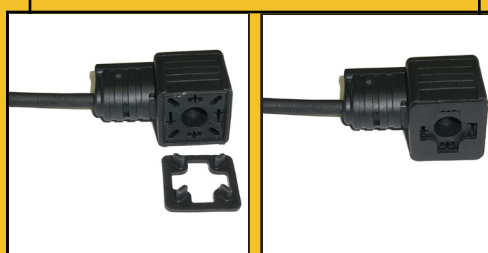
3 Stage Assembly

Integral MECHANICAL cable strain relief

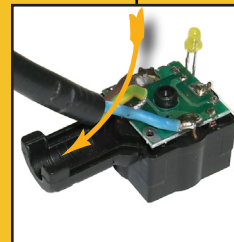
Integrated Full Size Gasket



- White label Cable ID tag
- Easy to View LED Window
- Clear Connector Description



FORM A & B Molded Connectors

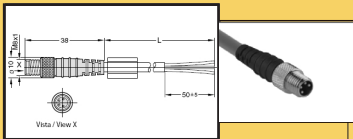


	FORM A	FORM B	FORM C
Field			
Molded			

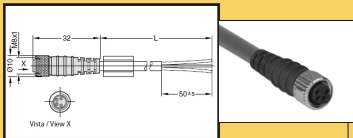
THE NEW FORCE IN FLUID POWER!
pneuforce.com

pneuforce.com THE NEW FORCE IN FLUID POWER!

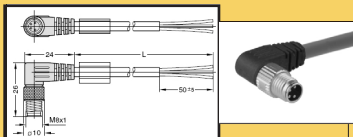
M8 CONNECTORS



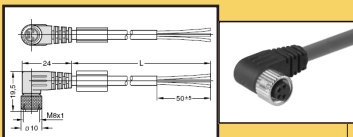
M8 Male Molded



M8 Female Molded



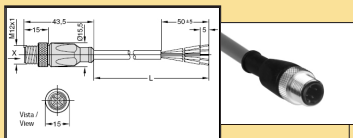
M8 Male 90° Molded



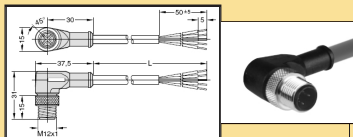
M8 Female 90° Molded

Part Number	Type	Cable Length	Contacts
AG08 S3C25 020	Male Straight	2m	3
AG08 S3C25 050	Male Straight	5m	3
AG08 S4C25 020	Male Straight	2m	4
AG08 S4C25 050	Male Straight	5m	4
AG08 B3C25 020	Female Straight	2m	3
AG08 B3C25 050	Female Straight	5m	3
AG08 B4C25 020	Female Straight	2m	4
AG08 B4C25 050	Female Straight	5m	4
AW08 S3C25 020	Male 90°	2m	3
AW08 S3C25 050	Male 90°	5m	3
AW08 S4C25 020	Male 90°	2m	4
AW08 S4C25 050	Male 90°	5m	4
AW08 B3C25 020	Female 90°	2m	3
AW08 B3C25 050	Female 90°	5m	3
AW08 B4C25 020	Female 90°	2m	4
AW08 B4C25 050	Female 90°	5m	4

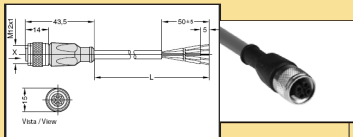
M12 CONNECTORS



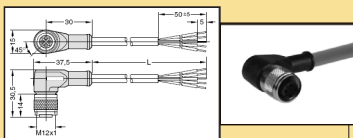
M12 Male Molded



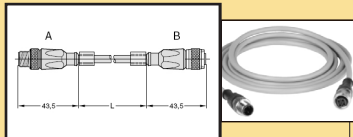
M12 Male 90° Molded



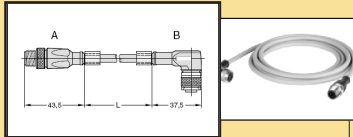
M12 Female Molded



M12 Female 90° Molded



M12 extension cords



M12 MF extension cords

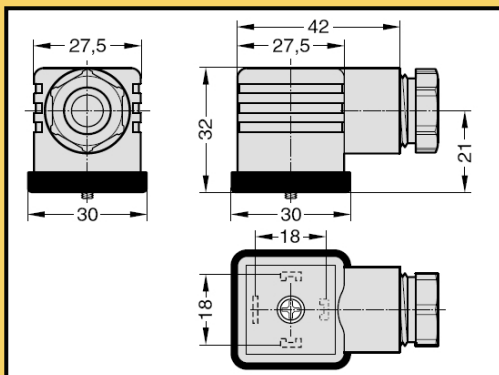
Part Number	Type	Cable	Contacts	Part Number	Type	Cable	Contacts
AG12S 3C34 020	Male Straight	2m	3	AG12B 3C34 020	Female Straight	2m	3
AG12S 3C34 050	Male Straight	5m	3	AG12B 3C34 050	Female Straight	5m	3
AG12S 4C34 020	Male Straight	2m	4	AG12B 4C34 020	Female Straight	2m	4
AG12S 4C34 050	Male Straight	5m	4	AG12B 4C34 050	Female Straight	5m	4
AG12S 5C34 020	Male Straight	2m	5	AG12B 5C34 020	Female Straight	2m	5
AG12S 5C34 050	Male Straight	5m	5	AG12B 5C34 050	Female Straight	5m	5
AW12S 3C34 020	Male 90°	2m	3	AW12B 3C34 020	Female 90°	2m	3
AW12S 3C34 050	Male 90°	5m	3	AW12B 3C34 050	Female 90°	2m	3
AW12S 4C34 020	Male 90°	2m	4	AW12B 4C34 020	Female 90°	2m	4
AW12S 4C34 050	Male 90°	5m	4	AW12B 4C34 050	Female 90°	5m	4
AW12S 5C34 020	Male 90°	2m	5	AW12B 5C34 020	Female 90°	2m	5
AW12S 5C34 050	Male 90°	5m	5	AW12B 5C34 050	Female 90°	5m	5
EG2B G2S 4C34 010	Male/Female St.	1m	4	EW2B G2S 4C34 010	Male/Female 90°	1m	4
EG2B G2S 4C34 020	Male/Female St.	2m	4	EW2B G2S 4C34 020	Male/Female 90°	2m	4
EG2B G2S 5C34 010	Male/Female St.	1m	5	EW2B G2S 5C34 010	Male/Female 90°	1m	5
EG2B G2S 5C34 020	Male/Female St.	2m	5	EW2B G2S 5C34 020	Male/Female 90°	2m	5

Specifications:

Cable Jacket: Gray
 Overmolding: Black (other colours on request)
 Termination: Crimped
 Contacts: Gold Plated
 Operating Temperature: PVC Cable -5°C / +70°C

DIMENSIONAL DRAWINGS

EN 175301-803 (formerly DIN 43650)



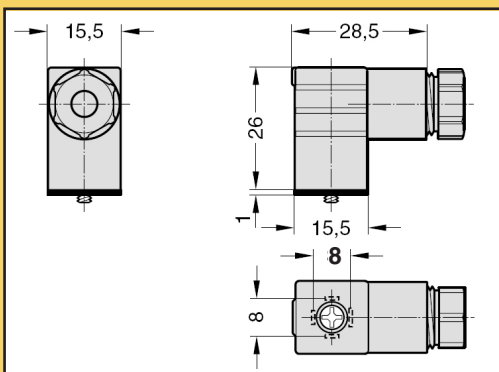
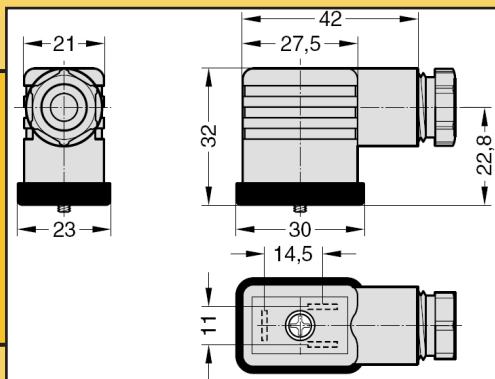
Form A drawing

FORM A



FORM B

Form B drawing



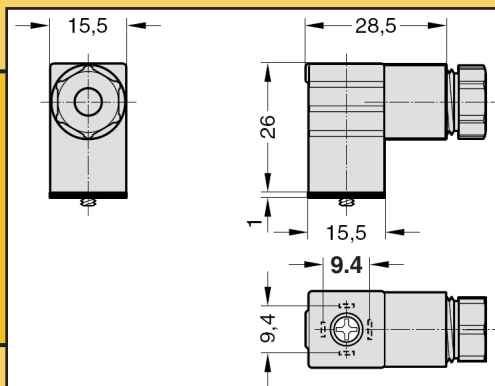
Form C drawing
8mm

FORM C 8mm



FORM C 9.4mm

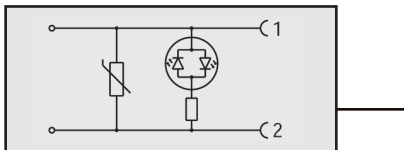
Form C drawing
9.4mm



FIELD CONNECTORS - K Series

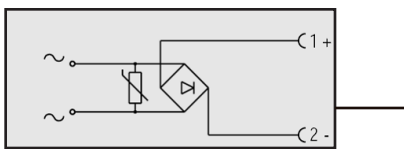


Part Number	Size	Housing Colour	Cable Gland	Circuit & Voltage	Contacts
KA132000B9	FORM A	Black	PG9	No Circuit	2 + \perp
KA132000B1	FORM A	Black	PG11	No Circuit	2 + \perp
KA132000B3	FORM A	Black	1/2NPTF	No Circuit	2 + \perp
KA132000A9	FORM A	Gray	PG9	No Circuit	2 + \perp
KA132000A1	FORM A	Gray	PG11	No Circuit	2 + \perp
KA132000A3	FORM A	Gray	1/2NPTF	No Circuit	2 + \perp
KA042000B9	FORM A	Black	PG9	No Circuit	3 + \perp
KA042000B1	FORM A	Black	PG11	No Circuit	3 + \perp
KA042000B3	FORM A	Black	1/2NPTF	No Circuit	3 + \perp
KA042000A9	FORM A	Gray	PG9	No Circuit	3 + \perp
KA042000A1	FORM A	Gray	PG11	No Circuit	3 + \perp
KA042000A3	FORM A	Gray	1/2NPTF	No Circuit	3 + \perp
KA132V5GT9	FORM A	Transparent	PG9	12V Varistor and LED	2 + \perp
KA132V54T9	FORM A	Transparent	PG9	24V Varistor and LED	2 + \perp
KA132V55T9	FORM A	Transparent	PG9	115V Varistor and LED	2 + \perp
KA132R13B9	FORM A	Black	PG9	Rectifier Circuit	2 + \perp
KB132000B9	FORM B	Black	PG9	No Circuit	2 + \perp
KB132V54T9	FORM B	Transparent	PG9	24V Varistor and LED	2 + \perp
KB132V55T9	FORM B	Transparent	PG9	115V Varistor and LED	2 + \perp
KC136000B7	FORM C 8mm	Black	PG7	No Circuit	2 + \perp
KC136V54T7	FORM C 8mm	Transparent	PG7	24V Varistor and LED	2 + \perp
KC136V55T7	FORM C 8mm	Transparent	PG7	115V Varistor and LED	2 + \perp
KD136000B7	FORM C 9.4mm	Black	PG7	No Circuit	2 + \perp
KD136V54T7	FORM C 9.4mm	Transparent	PG7	24V Varistor and LED	2 + \perp
KD136V55T7	FORM C 9.4mm	Transparent	PG7	115V Varistor and LED	2 + \perp



Standard Circuit – V5 (see diagram above)
LED Light Emitting Diode. A full size solid state diode which illuminates to indicate power has reached the connector.

MOV Metal Oxide Varistor. A solid state device which prevents voltage surge or spikes commonly experienced in solenoid valve operations.



Standard Circuit – R1 (see diagram above)
MOV Metal Oxide Varistor. A solid state device which prevents voltage surge or spikes commonly experienced in solenoid valve operations.

Rectifier. This circuit is used to convert an incoming AC supply (up to 230V) to a DC output.

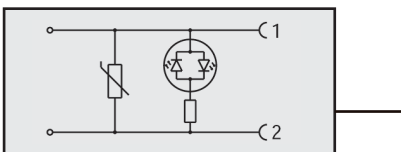
TECHNICAL DATA	Description	Standard	Value \perp
	No. of contacts		2 or 3 +
	Cable Entry	PG7 PG9 PG11 1/2NPTF	Cable OD 4 - 6 mm Cable OD 6 - 8mm Cable OD 8 - 10mm Cable OD 8 - 10mm
	Fixing System		Central Fixing Screw
	Termination		Screw
	Max. Contact Screw Torque	VDE 0627	0,5 Nm
	Contact Surface		Silverplated
	Contact Material		Cu Sn
	Conductor Cross Section		0.5...1.5mm ²
	Housing Material		PA+G
	Flammability		UL 94-V0 on request
	Insert Material		PA+G
	Gasket Material		NBR or silicon
	Protection Class (mated)	IEC 60 529	IP 65 (mated)
	Operating Temperature		-40°C / +125°C
	Nominal Current		10A (6A KC-KD)
Max. Contact Current	IEC 60 512-3	Max. 16A / 40°C (10A KC-KD)	
Rated Voltage	IEC 60 664	250V AC / 300V DC	
Rated Impulse Voltage	IEC 60 664	5kV	
Overvoltage Category	IEC 60 664	III	
Contact Resistance	IEC 60 512-2	≤4 mΩ	
Insulation Resistance		VDE 0110 1/89 - Class C	
Pollution Degree	IEC 60 664	3	

Molded

MOLDED CABLE CONNECTORS - M Series



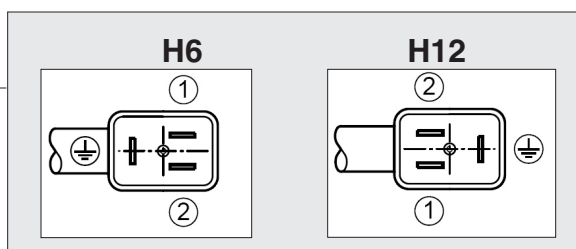
Part Number	Size	Cable Length	Circuit & Voltage	Gasket
MA134000BA05200	FORM A	2 METRE CABLE	No Circuit	Integrated Gasket
MA134000BA05500	FORM A	5 METRE CABLE	No Circuit	Integrated Gasket
MA634V54BA05200	FORM A	2 METRE CABLE	24V Varistor and LED	Integrated Gasket
MA634V54BA05500	FORM A	5 METRE CABLE	24V Varistor and LED	Integrated Gasket
MA634V55BA05200	FORM A	2 METRE CABLE	115V Varistor and LED	Integrated Gasket
MA634V55BA05500	FORM A	5 METRE CABLE	115V Varistor and LED	Integrated Gasket
MA634V5GBA05200	FORM A	2 METRE CABLE	12V Varistor and LED	Integrated Gasket
MA634V5GBA05500	FORM A	5 METRE CABLE	12V Varistor and LED	Integrated Gasket
MB135000BA05200	FORM B GRND H12	2 METRE CABLE	No Circuit	Integrated Gasket
MB135000BA05500	FORM B GRND H12	5 METRE CABLE	No Circuit	Integrated Gasket
MB136000BA05200	FORM B GRND H6	2 METRE CABLE	No Circuit	Integrated Gasket
MB136000BA05500	FORM B GRND H6	5 METRE CABLE	No Circuit	Integrated Gasket
MB635V54BA05200	FORM B GRND H12	2 METRE CABLE	24V Varistor and LED	Integrated Gasket
MB635V54BA05500	FORM B GRND H12	5 METRE CABLE	24V Varistor and LED	Integrated Gasket
MB635V55BA05200	FORM B GRND H12	2 METRE CABLE	115V Varistor and LED	Integrated Gasket
MB635V55BA05500	FORM B GRND H12	5 METRE CABLE	115V Varistor and LED	Integrated Gasket
MB636V54BA05200	FORM B GRND H6	2 METRE CABLE	24V Varistor and LED	Integrated Gasket
MB636V54BA05500	FORM B GRND H6	5 METRE CABLE	24V Varistor and LED	Integrated Gasket
MB636V55BA05200	FORM B GRND H6	2 METRE CABLE	115V Varistor and LED	Integrated Gasket
MB636V55BA05500	FORM B GRND H6	5 METRE CABLE	115V Varistor and LED	Integrated Gasket
MC134000BA01200	FORM C 8mm	2 METRE CABLE	No Circuit	Flat Gasket
MC134000BA01500	FORM C 8mm	5 METRE CABLE	No Circuit	Flat Gasket
MC634V54BA01200	FORM C 8mm	2 METRE CABLE	24V Varistor and LED	Flat Gasket
MC634V54BA01500	FORM C 8mm	5 METRE CABLE	24V Varistor and LED	Flat Gasket
MC634V55BA01200	FORM C 8mm	2 METRE CABLE	115V Varistor and LED	Flat Gasket
MC634V55BA01500	FORM C 8mm	5 METRE CABLE	115V Varistor and LED	Flat Gasket
MD134000BA01200	FORM C 9.4mm	2 METRE CABLE	No Circuit	Flat Gasket
MD134000BA01500	FORM C 9.4mm	5 METRE CABLE	No Circuit	Flat Gasket
MD634V54BA01200	FORM C 9.4mm	2 METRE CABLE	24V Varistor and LED	Flat Gasket
MD634V54BA01500	FORM C 9.4mm	5 METRE CABLE	24V Varistor and LED	Flat Gasket
MD634V55BA01200	FORM C 9.4mm	2 METRE CABLE	115V Varistor and LED	Flat Gasket
MD634V55BA01500	FORM C 9.4mm	5 METRE CABLE	115V Varistor and LED	Flat Gasket



Standard Circuit – V5 (see diagram above)
LED Light Emitting Diode. A full size solid state diode which illuminates to indicate power has reached the connector.

MOV Metal Oxide Varistor. A solid state device which prevents voltage surge or spikes commonly experienced in solenoid valve operations.

FORM B GROUND POSITIONS



TECHNICAL DATA	Description	Standard	Value
	No. of Contacts		2 or 3 + \perp
	Fixing System		Central Fixing Screw
	Termination		Soldered
	Contact Surface		Silverplated
	Contact Material		Cu Sn
	Conductor Cross Section		0.34...1,5mm ²
	Housing Material		PP+G
	Flammability		UL 94-V0 on request
	Insert Material		PA+G
	Gasket Materials		NBR or silicon
	Protection Class (mated)	IEC 60 529	IP 67 (mated)
Operating Temperature*		-40°C / +90°C	
Nominal Current	IEC 60 512-3	5A (3A MC-MD)	
Rated Voltage	IEC 60 664	250V AC / 300V DC	
Contact Resistance	IEC 60 512-2	≤4 mΩ	
Insulation Resistance		VDE 0110 1/89 - Class C	
Conductor Color Code		DIN EN 50044	

Integrated gasket models come pre-assembled with the gasket and the fixing screw.

VALVE TIMERS

Digital timer technical specifications



Supply Voltage:
24..240V AC/DC-50Hz/60Hz
for "CE" marked Timer

Absorption Current:
4mA Max

Operating Temperature:
-10°C + 50°C

Class Protection:
IP65-EN 60529

Switch Holding Voltage:
400V Max

Switch Capacity:
1A

Inrush current:
10A for 10ms

Duty Cycle:
100% ED

Switch Life:
3 x 10⁶

Time ON:
• from 0.5 to 9.5s step 0.5s
from 10 to 99s step 1s

Time OFF:
• from 0.5 to 9.5min step 0.5min.
from 10 to 99 min step 1 min.

Indicators:
Green LED for "ON"
Red LED for "OFF"

Termination:
DIN43650A/FORM A

XY-2000

Supplied with
KA132000B9



Supply Voltage:
24..240V AC/DC-50Hz/60Hz
for "CE" marked Timer

Absorption Current:
4mA Max

Operating Temperature:
-10°C + 50°C

Class Protection:
IP65-EN 60529

Switch Holding Voltage:
400V Max

Switch Capacity:
1A

Inrush current:
10A for 10ms

Duty Cycle:
100% ED

Switch Life:
3 x 10⁶

Time ON:
• from 0.5 to 10s

Time OFF:
• from 0.5 to 45min

Indicators:
Yellow LED

Termination:
DIN43650A/FORM A

XY-720

Supplied with
KA132000B9



Supply Voltage:
24..240V AC/DC-50Hz/60Hz
for "CE" marked Timer

Absorption Current:
4mA Max

Operating Temperature:
-10°C + 50°C

Class Protection:
IP65-EN 60529

Switch Holding Voltage:
400V Max

Switch Capacity:
1A

Inrush current:
10A for 10ms

Duty Cycle:
100% ED

Switch Life:
3 x 10⁶

Time ON:
• 2s

Time OFF:
• from 0.5 to 120min

Indicators:
Red LED

Termination:
DIN43650B/FORM B

XY-11

Supplied with
KB132000B9

CONNECTOR BASES

Model Number	Contact Number	Connector Type
BA332000B0	3 Pole	Form A
BA342000B0	4 Pole	Form A
BA132000B0	3 Pole	Form A
BA142000B0	4 Pole	Form A
BA032000B0	3 Pole	Form A
BA042000B0	4 Pole	Form A
BB132000B0	3 Pole	Form B
BA232000B0	3 Pole	Form A
BA242000B0	4 Pole	Form A
BD142000B0	4 Pole	Form C 9.4
BD132000B0	3 Pole	Form C 9.4

Other pneuforce.com Connector Products



Connector bases are used as receptacles for the Form A, B and C DIN connectors shown on the previous pages. They are available with either 3 or 4 pole configurations. Dimensional drawings are available at **pneuforce.com**

The world of Pneuforce!

ACTUATORS



pneuforce.com

ELECTRICAL CONNECTORS



pneuforce.com

FITTINGS



pneuforce.com

AIR PREPARATION



pneuforce.com

VACUUM



pneuforce.com

Contact your local distributor

pneuforce.com

a brand of Vacuforce Inc.

Buffalo, NY USA
Toronto, ON Canada

Tel: 1-866-280-3766
Fax: 1-866-280-4829

www.vacuforce.com
sales@vacuforce.com

VALVES



pneuforce.com

GAUGES



pneuforce.com

ACCESSORIES



Discover our world of accessories at **pneuforce.com**