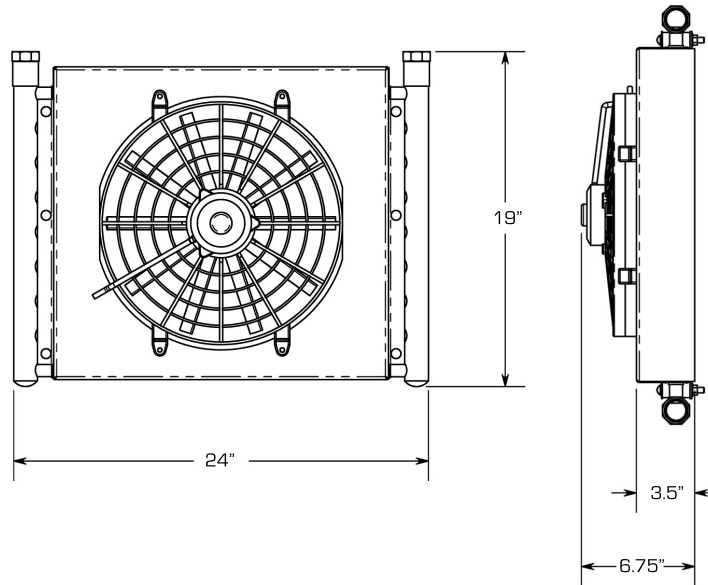
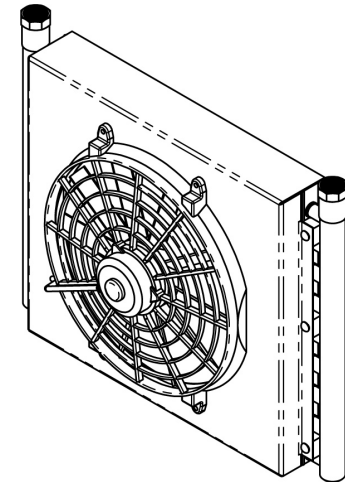


DIMENSIONS



APPEARANCE



SPECIFICATIONS

Flow Range (GPM):5 - 30

Heat Rejection Range (BTU/Hr):
22,700 - 33,000

Fitting Size:.....1" FPT

Material

Copper Tube:.....CDA122

Inner Tube:Al-3003

Inner Fin:Al - 1100

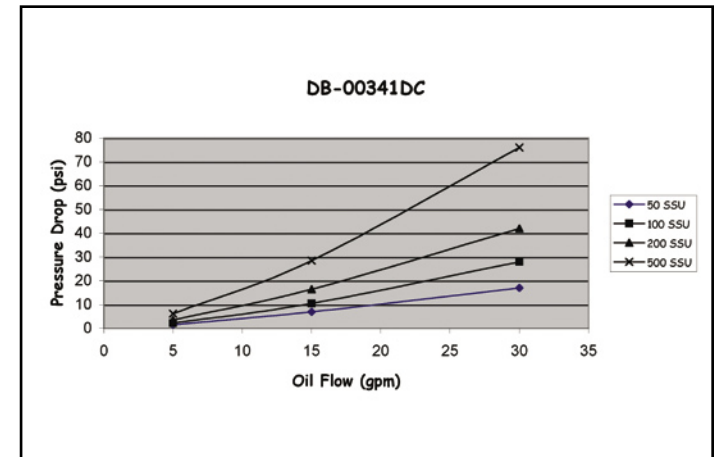
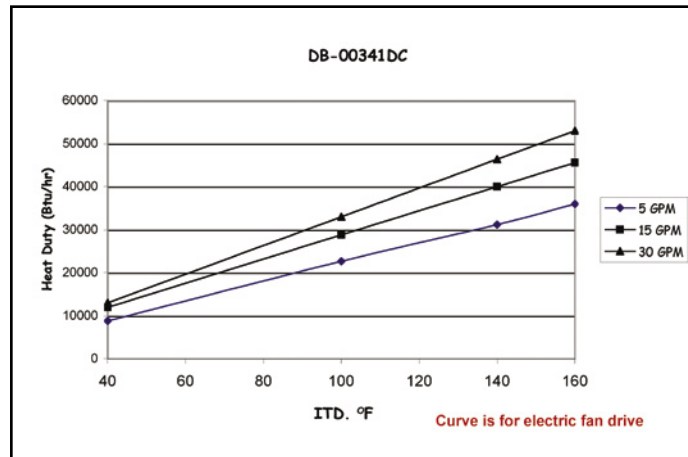
Outer Fin:Al - 1100

Fitting:.....Copper

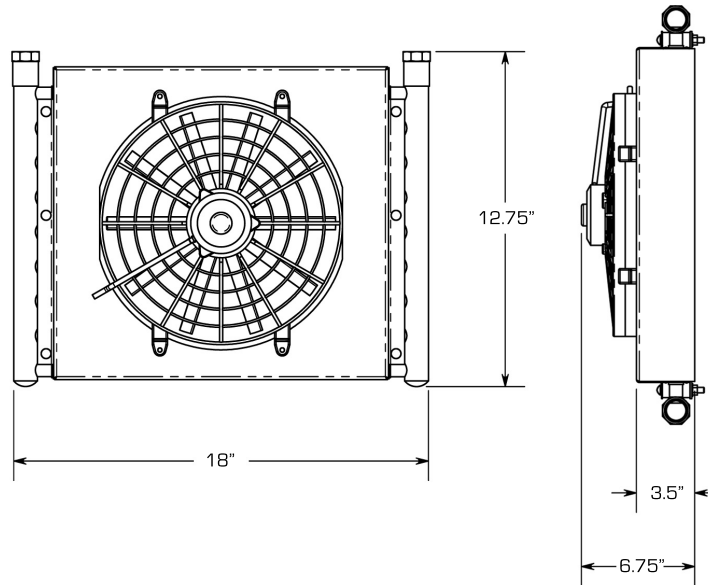
Cooler Weight (lbs.)

Total Weight :.....22 lbs.

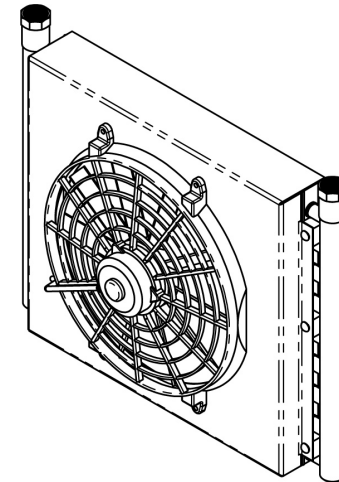
PERFORMANCE



DIMENSIONS



APPEARANCE



SPECIFICATIONS

Flow Range (GPM):4 - 20
Heat Rejection Range (BTU/Hr):
15,100 - 19,700
Fitting Size:.....3/4" FPT

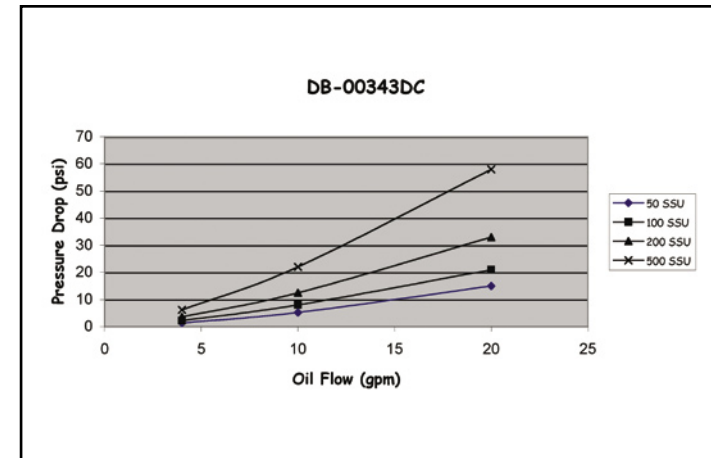
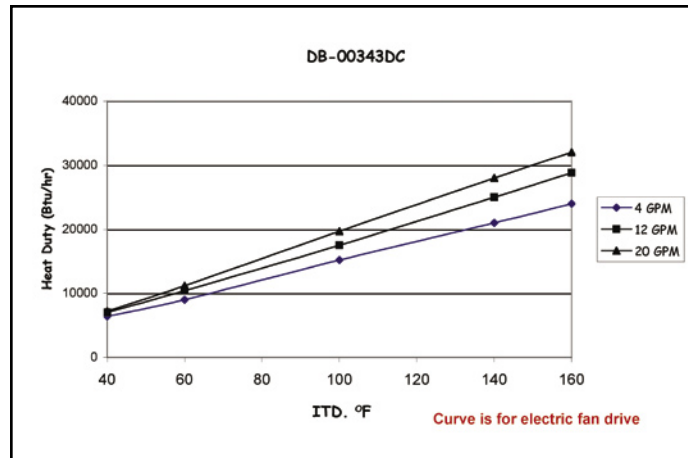
Material

Copper Tube:.....CDA122
Inner Tube:Al-3003
Inner Fin:Al - 1100
Outer Fin:Al - 1100
Fitting:.....Copper

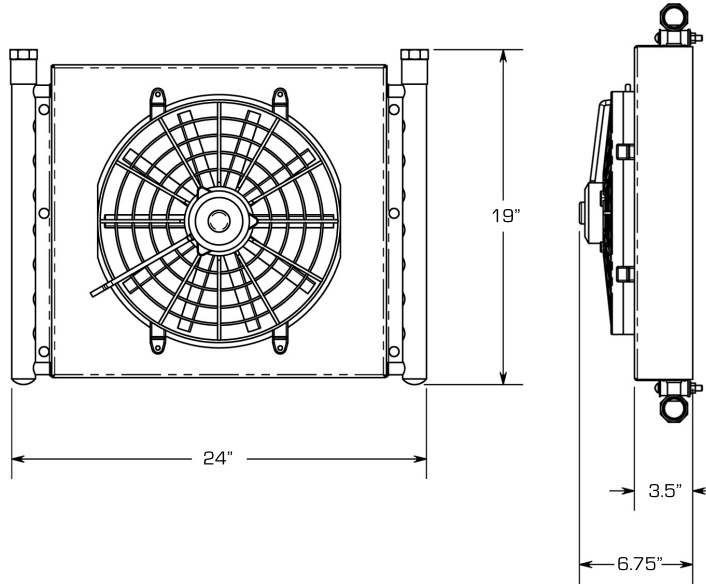
Cooler Weight (lbs.)

Total Weight :.....20 lbs.

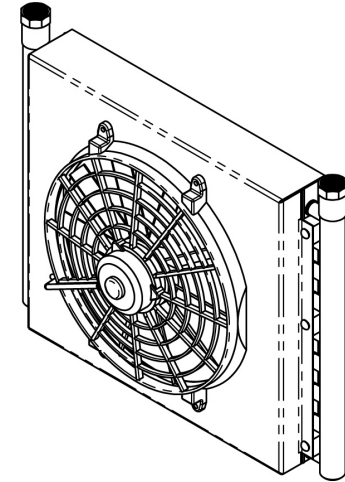
PERFORMANCE



DIMENSIONS



APPEARANCE



SPECIFICATIONS

Flow Range (GPM):5 - 21
Heat Rejection Range (BTU/Hr):
22,900 - 31,100
Fitting Size:.....3/4" FPT

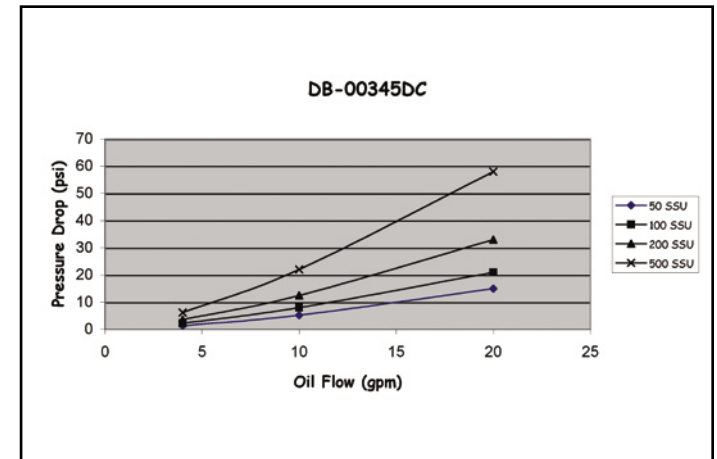
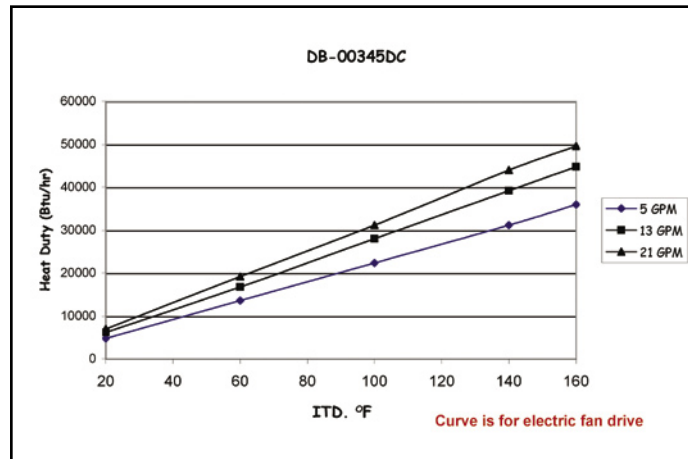
Material

Copper Tube:.....CDA122
Inner Tube:Al-3003
Inner Fin:Al - 1100
Outer Fin:Al - 1100
Fitting:.....Copper

Cooler Weight (lbs.)

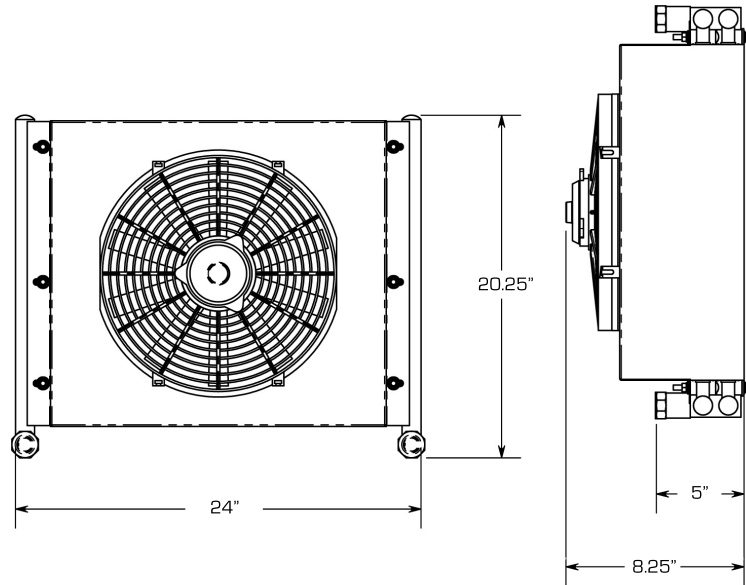
Total Weight :.....24 lbs.

PERFORMANCE

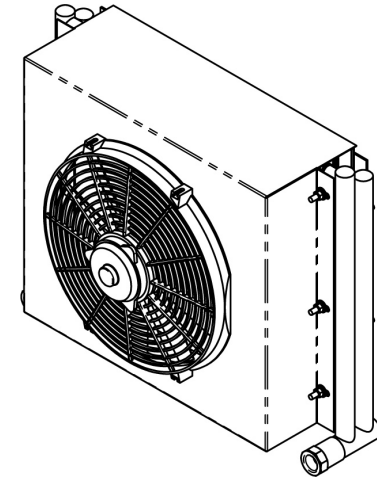


DB-01322DC

DIMENSIONS



APPEARANCE



SPECIFICATIONS

Flow Range (GPM):10 - 30

Heat Rejection Range (BTU/Hr):
41,900 - 52,900

Fitting Size:.....1" FPT

Material

Copper Tube:.....CDA122

Inner Tube:Al-3003

Inner Fin:Al - 1100

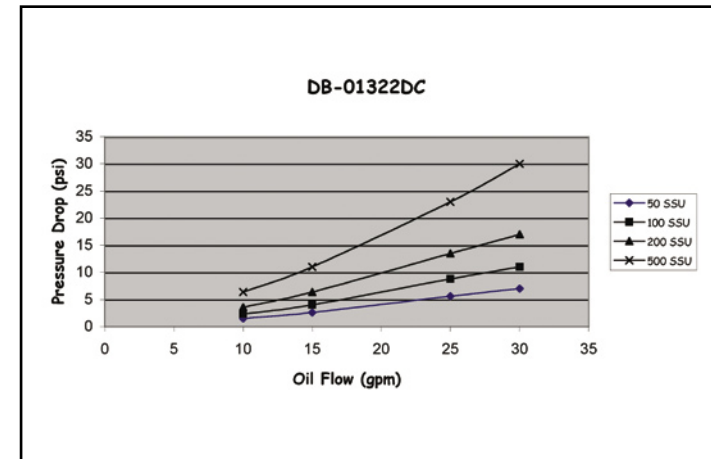
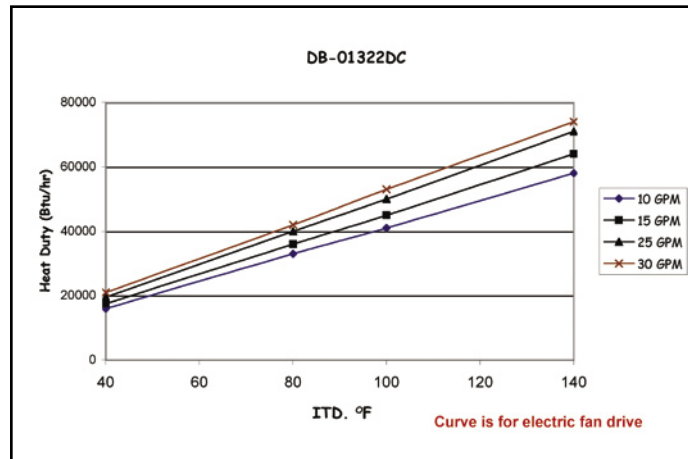
Outer Fin:Al - 1100

Fitting:.....Copper

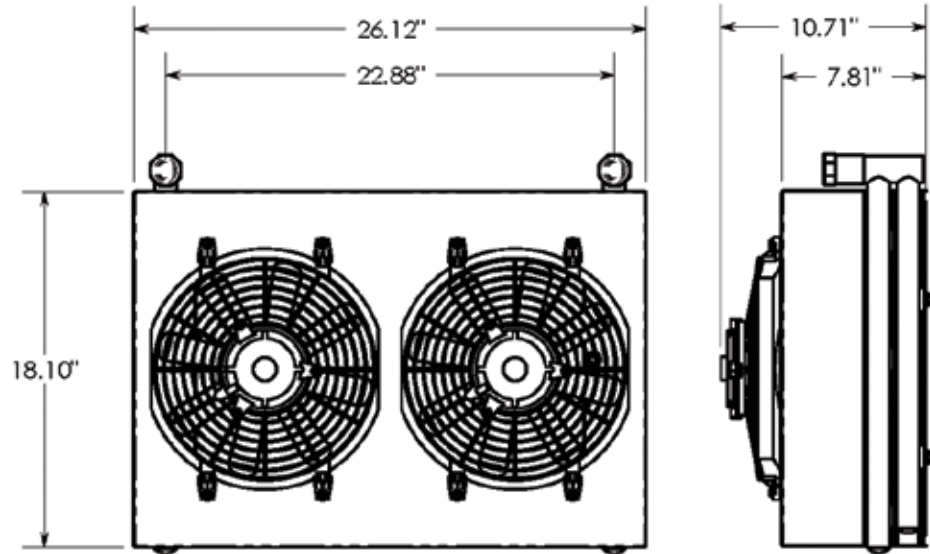
Cooler Weight (lbs.)

Total Weight :.....30 lbs.

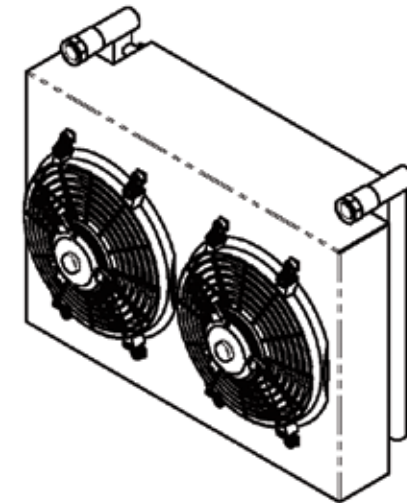
PERFORMANCE



DIMENSIONS



APPEARANCE



SPECIFICATIONS

Flow Range (GPM):10 - 30
 Heat Rejection Range (BTU/Hr):
 57,300 - 72,300
 Fitting Size:.....1" FPT

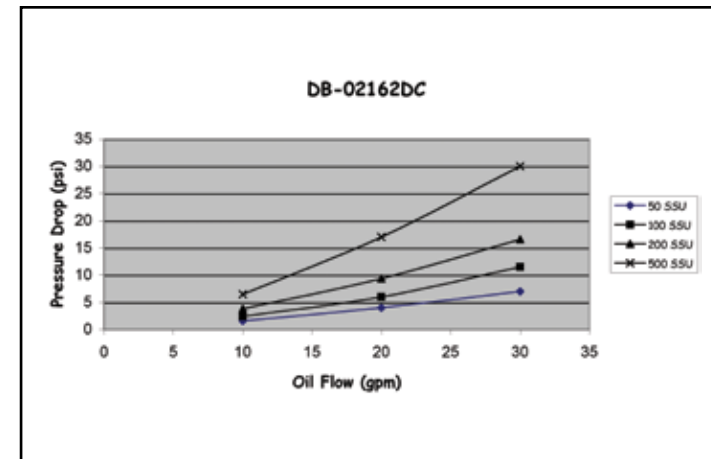
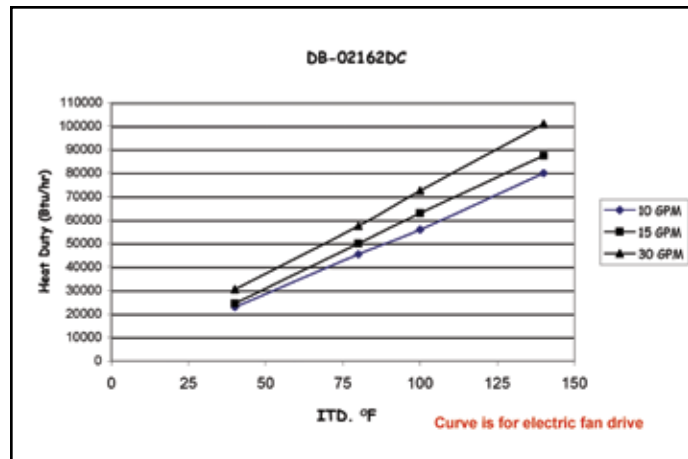
Material

Copper Tube:.....CDA122
 Inner Tube:Al-3003
 Inner Fin:Al - 1100
 Outer Fin:.....Al - 1100
 Fitting:.....Copper

Cooler Weight (lbs.)

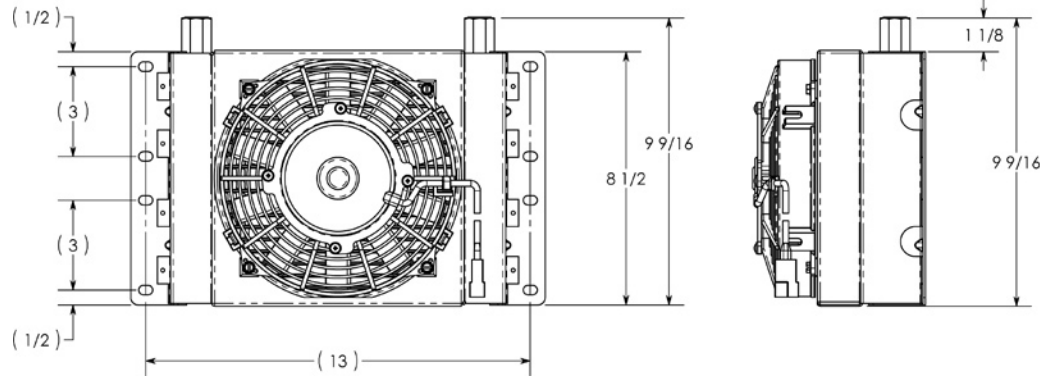
Total Weight :51 lbs.

PERFORMANCE

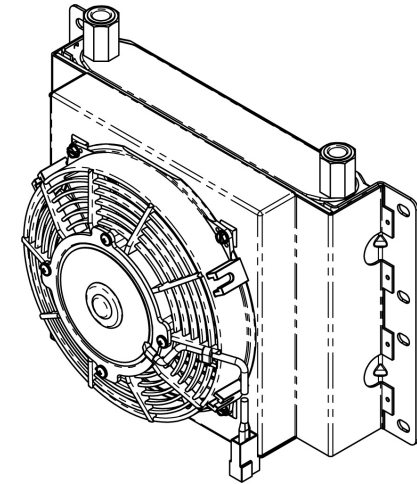


DB-2138DC

DIMENSIONS



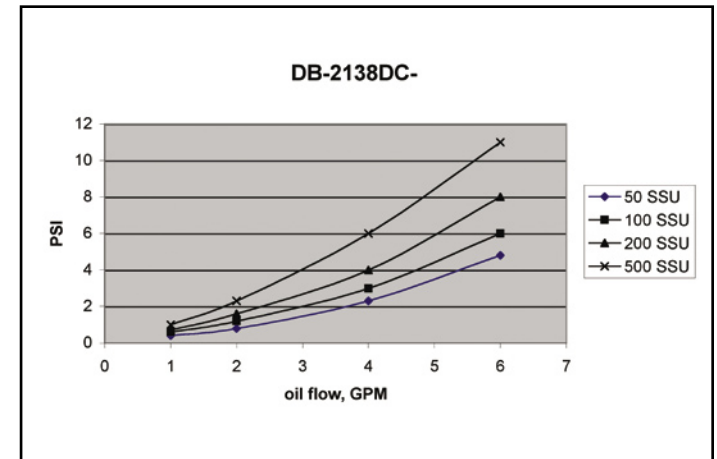
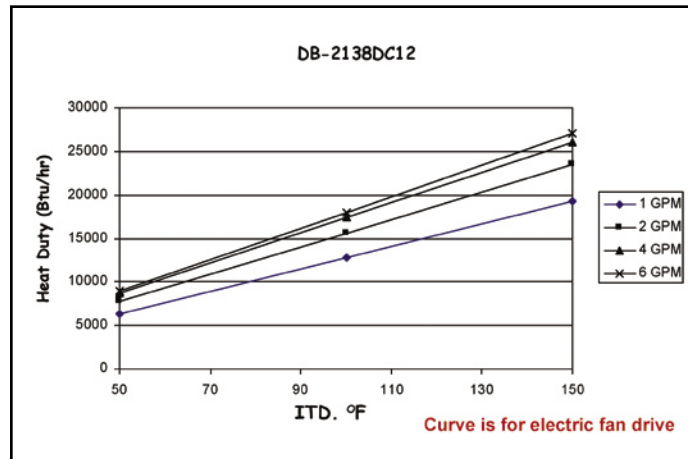
APPEARANCE



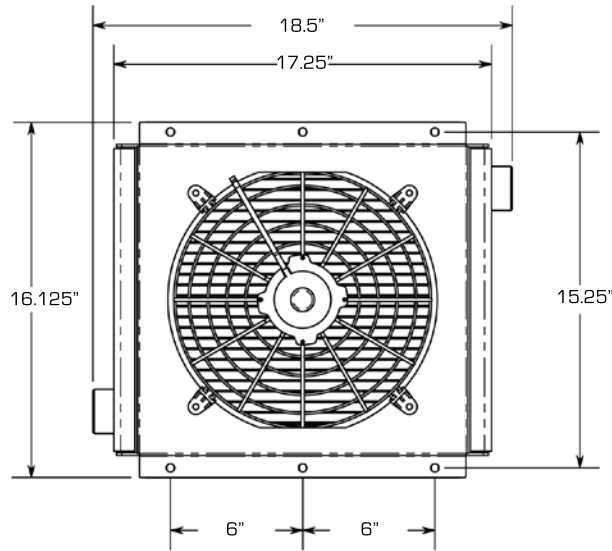
SPECIFICATIONS

Flow Range (GPM): 1 - 6
 Heat Rejection Range (BTU/Hr):
 12,800 - 18,000
 Fitting Size:.....3/8" FPT
Material
 Copper Tube:.....CDA122
 Inner Tube:Al-3003
 Inner Fin:Al - 1100
 Outer Fin:Al - 1100
 Fitting:.....Aluminum
Cooler Weight (lbs.)
 Total Weight :..... N/A

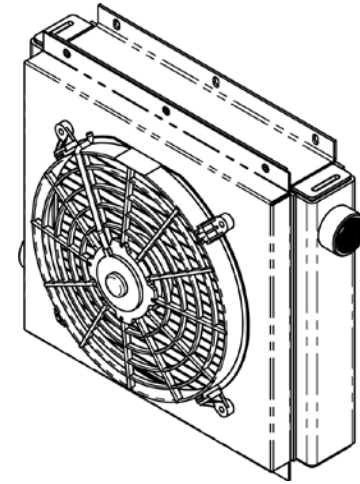
PERFORMANCE



DIMENSIONS



APPEARANCE



SPECIFICATIONS

Flow Range (GPM): 8 - 40
 Heat Rejection Range (BTU/Hr):
 36,000 - 41,000
 Fitting Size:.....SAE #20

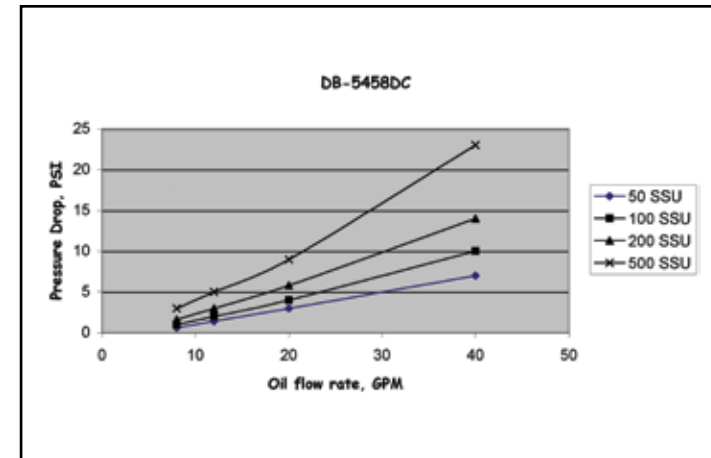
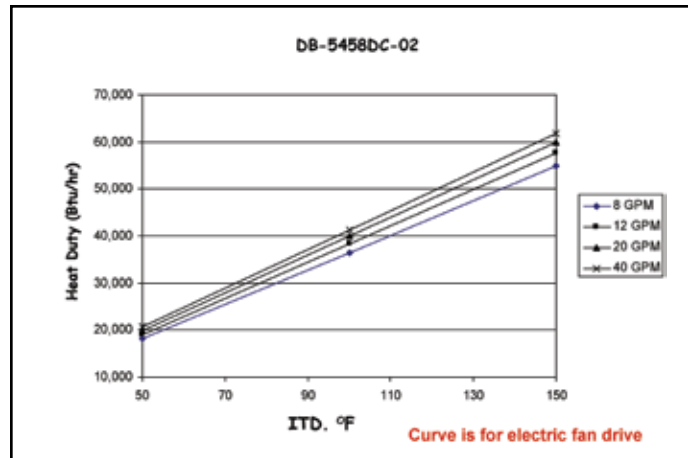
Material

Aluminum Tube:.....AI-3003
 Inner Fin:AI - 1100
 Outer Fin:.....AI - 1100
 Fitting:.....Aluminum

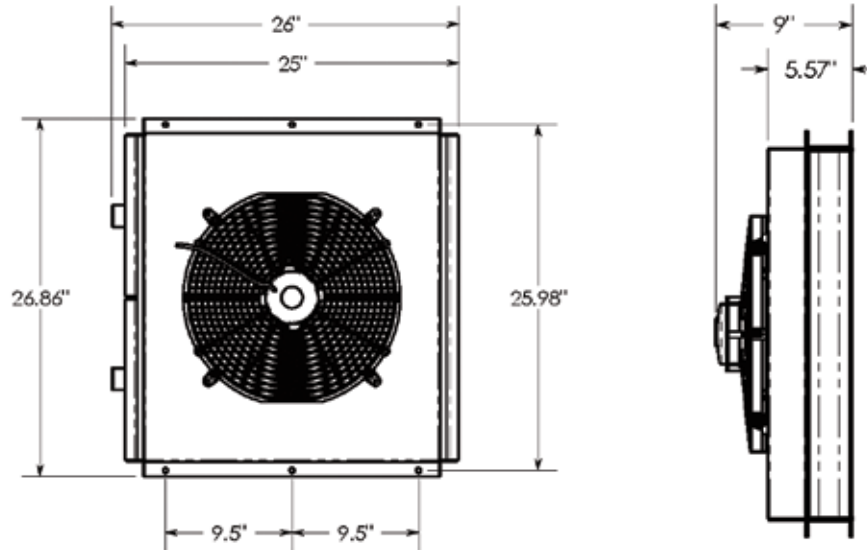
Cooler Weight (lbs.)

Total Weight :..... N/A

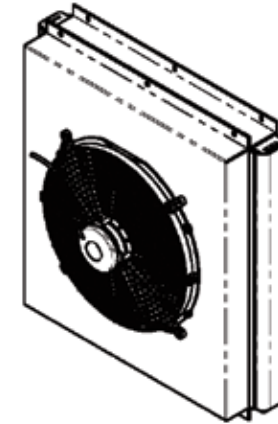
PERFORMANCE



DIMENSIONS



APPEARANCE



SPECIFICATIONS

Flow Range (GPM): 10 - 40
 Heat Rejection Range (BTU/Hr):
 78,000 - 94,000
 Fitting Size:.....#16 SAE ORB

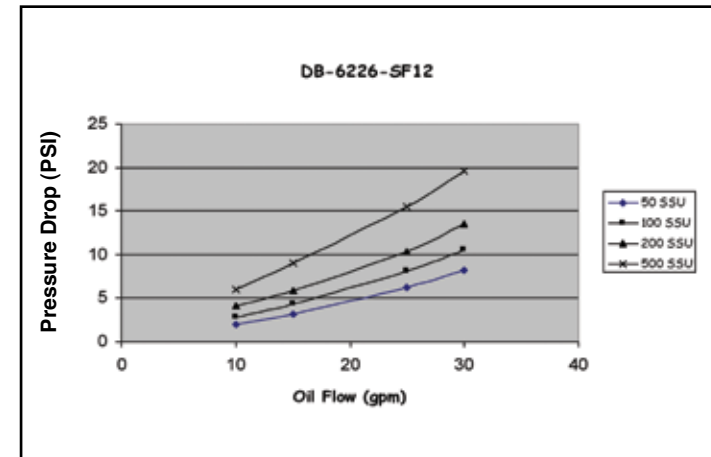
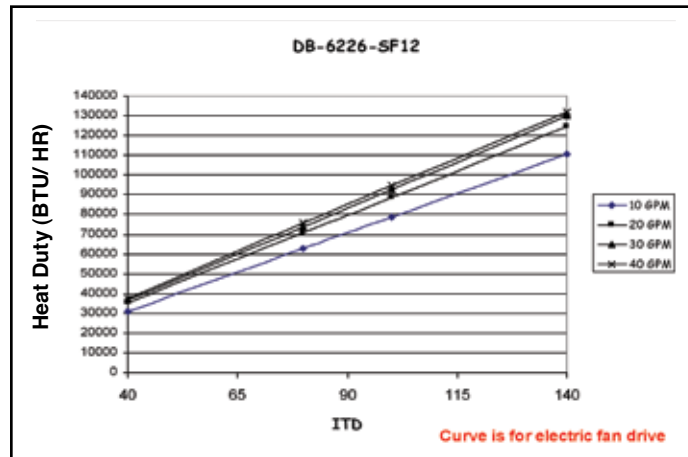
Material

Extruded Aluminum Oval Tube
 Inner Fin:Al - 1100
 Outer Fin:.....Al - 1100
 Fitting:.....Aluminum

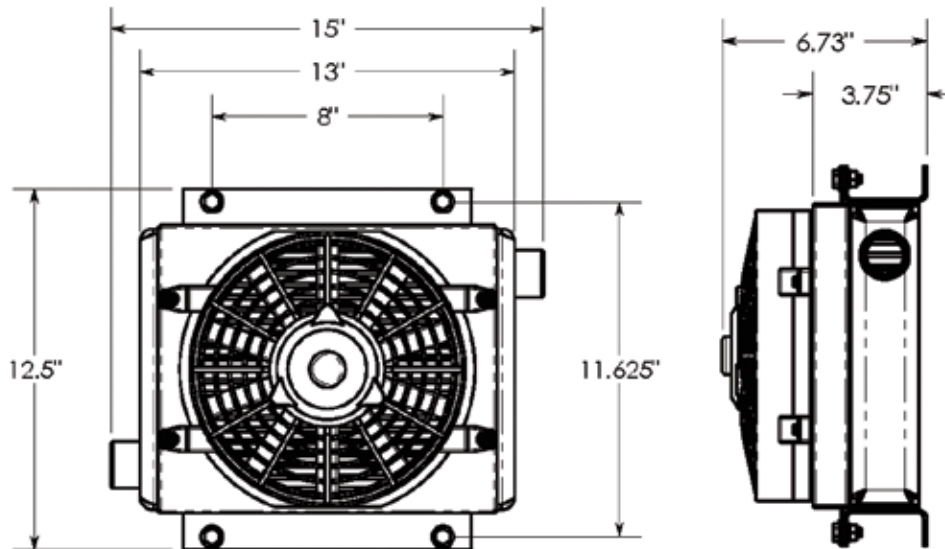
Cooler Weight (lbs.)

Total Weight (dry) : 60 lbs.

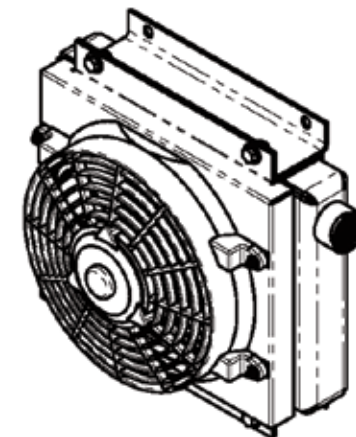
PERFORMANCE



DIMENSIONS



APPEARANCE



SPECIFICATIONS

Flow Range (GPM): 10 - 40
 Heat Rejection Range (BTU/Hr):
 23,000 - 25,000
 Fitting Size:.....#16 SAE ORB

Material

Aluminum Bar/Plate
 Inner Fin:Al - 1100
 Outer Fin:.....Al - 1100
 Fitting:.....Aluminum

Cooler Weight (lbs.)

Total Weight (dry) : 13 lbs.

PERFORMANCE

