

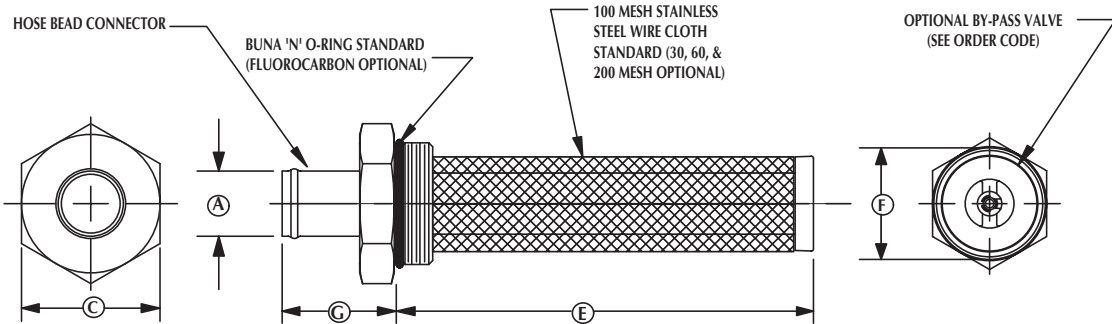


BTF SERIES HOSE BEAD TANK STRAINER

Port Sizes: 3/4" Thru 1 1/4" Hose
 External Thread: To 2" NPTF
 Standard: 100 Mesh
 Optional: 30, 60, & 200 Mesh

3 PSI (6" Hg) or 5 PSI (10" Hg) Optional By-Pass Valve

Hose Bead to Male Straight Thread Fitting O-Ring & Mounting Weld Collar

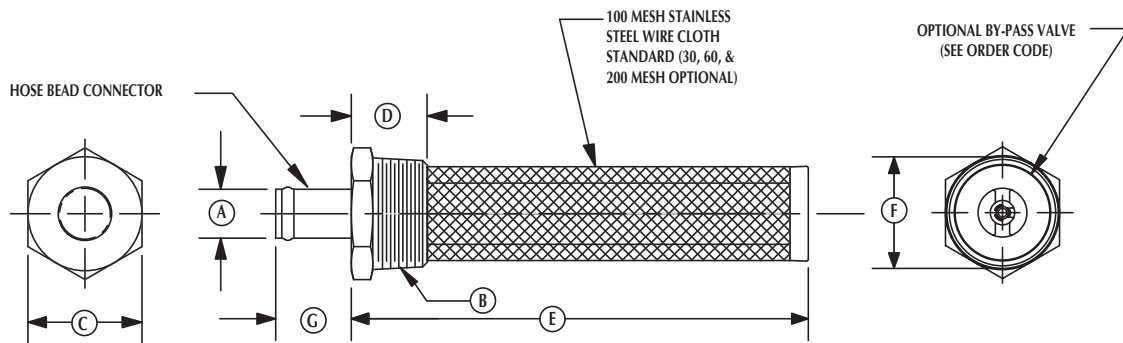


Model	A	B Thread	C Hex	E Length	F Dia.	G Length	Rated Flow 5 Ft/Sec
BTF-0716-X-X	.8"	1 5/8"-12UN-2A	1.88"	7.0"	1.5"	1.7"	5 GPM
BTF-1018-X-X	1.0"	1 7/8"-12UN-2A	2.13"	7.0"	1.7"	1.7"	10 GPM
BTF-1225-X-X	1.3"	2 1/2"-12UN-2A	2.75"	9.1"	2.7"	1.9"	16 GPM

Weld Collar		
Part Number	B Thread	O.D.
WC-0716	1 5/8" - 12 UN-2B	2.75"
WC-1018	1 7/8" - 12 UN-2B	3.06"
WC-1225	2 1/2" - 12 UN-2B	3.88"

Ordered Separately From Filter

Hose Bead to Pipe Thread Seal



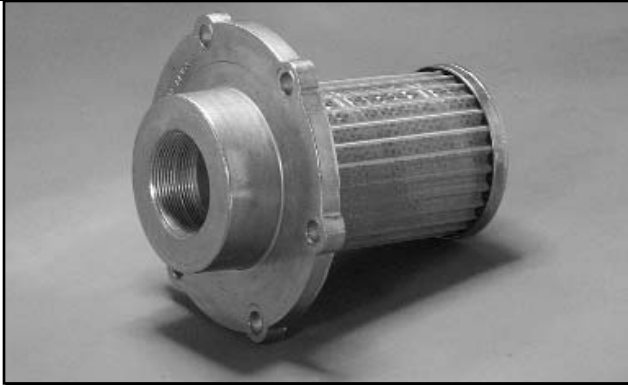
Model	A	B Thread	C Hex	D Length	E Length	F Dia.	G Length	Rated Flow 5 Ft/Sec
BTF-0712-X-X	.8"	1 1/4" NPTF	1.75"	1.2"	7.0"	1.5"	1.2"	5 GPM
BTF-1015-X-X	1.0"	1 1/2" NPTF	2.00"	1.2"	7.0"	1.7"	1.2"	10 GPM
BTF-1220-X-X	1.3"	2" NPTF	2.50"	1.3"	9.1"	2.7"	1.3"	16 GPM

HOW TO ORDER:

BTF-XXXX - X - X

Model	
Code	Wire Mesh
0	100 Mesh (Std.)
2	200 Mesh
3	30 Mesh
6	60 Mesh

Code	By-Pass Valve
0	No Valve
3	3 PSI
5	5 PSI



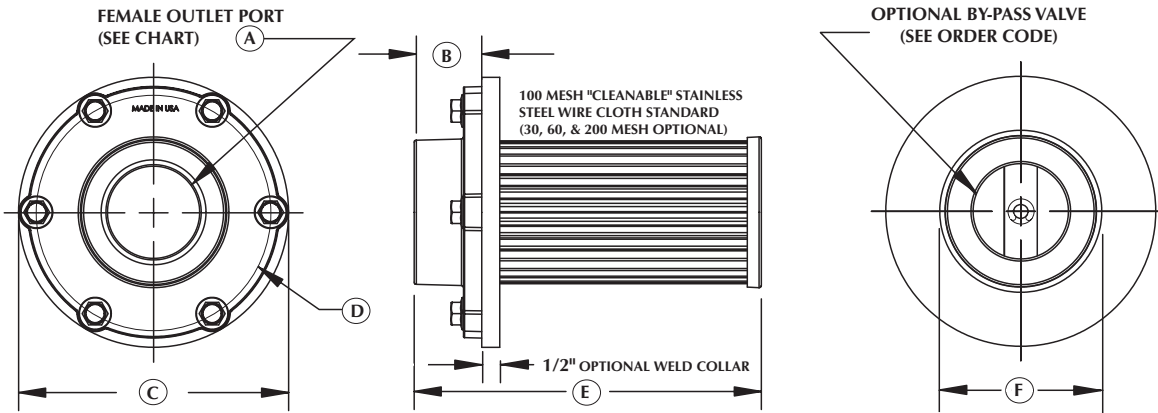
HS SERIES

"CLEAN OUT" HATCH STRAINER

ALUMINUM EXTERNAL MOUNTED

Port Sizes: 3/4" Thru 4" NPTF
 SAE-20 Thru SAE-32
 1" Thru 2" BSP
 Standard: 100 Mesh
 Optional: 30, 60, & 200 Mesh

3 PSI (6" Hg) or 5 PSI (10" Hg) optional by-pass valve



• PRODUCT SHOWN WITH OPTIONAL WELD COLLAR AND 3/8" BOLT HARDWARE AVAILABLE IN WELD COLLAR KITS

Model	A Outlet Port	B	C Flange Diameter	D Bolt Circle Diameter	E Overall Length	F Dia	Rated Flow @ 5 ft/sec	Optional Weld Collar Kit
HS-070P-X-X	3/4" NPTF	1.3"	7 1/2"	6 1/2"	4"	4.2"	8 GPM	MF07K
HS-100C-X-X	1" BSP (G1"-11)	1.3"	7 1/2"	6 1/2"	5"	4.2"	10 GPM	MF07K
HS-100P-X-X	1" NPTF	1.3"	7 1/2"	6 1/2"	4"	4.2"	14 GPM	MF07K
HS-120C-X-X	1 1/4" BSP (G1 1/4"-11)	1.3"	7 1/2"	6 1/2"	5"	4.2"	17 GPM	MF07K
HS-120P-X-X	1 1/4" NPTF	1.3"	7 1/2"	6 1/2"	5"	4.2"	23 GPM	MF07K
HS-150C-X-X	1 1/2" BSP (G1 1/2"-11)	1.3"	7 1/2"	6 1/2"	7"	4.2"	25 GPM	MF07K
HS-150P-X-X	1 1/2" NPTF	1.3"	7 1/2"	6 1/2"	7"	4.2"	32 GPM	MF07K
HS-160S-X-X	1 5/8"-12UN (SAE-20)	1.3"	7 1/2"	6 1/2"	5"	4.2"	14 GPM	MF07K
HS-180S-X-X	1 7/8"-12UN (SAE-24)	1.3"	7 1/2"	6 1/2"	7"	4.2"	21 GPM	MF07K
HS-200C-X-X	2" BSP (G2"-11)	1.9"	7 1/2"	6 1/2"	7 5/8"	4.2"	42 GPM	MF07K
HS-200P-X-X	2" NPTF	1.9"	7 1/2"	6 1/2"	9 5/8"	4.2"	53 GPM	MF07K
HS-250S-X-X	2 1/2"-12UN (SAE-32)	1.9"	7 1/2"	6 1/2"	9"	4.2"	39 GPM	MF07K
HS-250P-X-X	2 1/2" NPTF	1.9"	7 1/2"	6 1/2"	9 5/8"	4.2"	75 GPM	MF07K
HS-300P-X-X	3" NPTF	1.9"	9"	7 3/4"	12 3/4"	6"	115 GPM	MF08K
HS-400P-X-X	4" NPTF	1.9"	9"	7 3/4"	12 3/4"	6"	198 GPM	MF08K

Design Features:

- Provides user with alternate hand hole access for reservoir clean out and component installation.
- Steel weld collar mounting kit with mounting hardware available.
- O-ring seal provided (Buna N Standard) (Consult Factory for Alternate Seal Materials)
- For Hose Barb attachments refer to Zinga FT Series
- Suitable for use with petroleum base oils, fire resistant hydraulic fluids, coolants, and lubricants.

HOW TO ORDER:

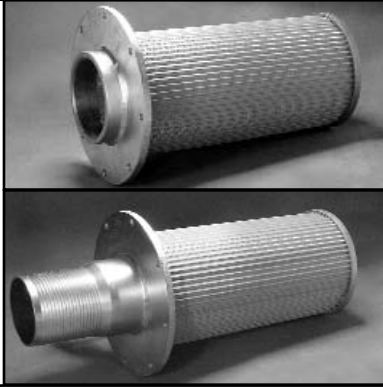
HS - XXXX - X - X

Model	
-------	--

Code	Wire Mesh
0	100 Mesh (Std.)
2	200 Mesh
3	30 Mesh
6	60 Mesh

Code	By-Pass Valve
0	No Valve
3	3 PSI
5	5 PSI



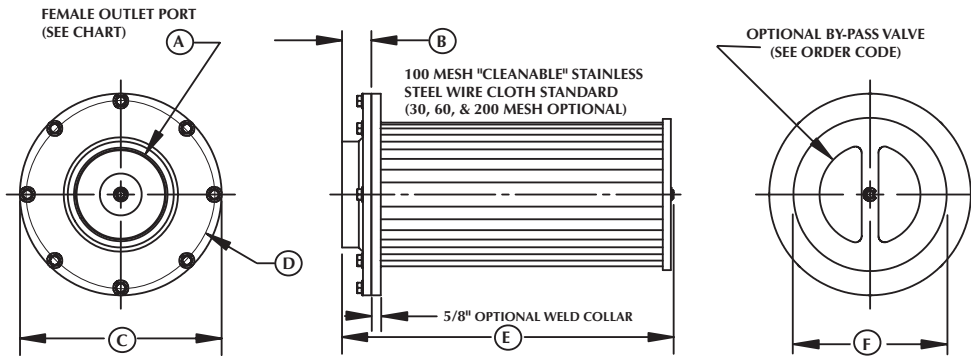


HS SERIES "CLEAN OUT" HATCH STRAINER STEEL EXTERNAL MOUNTED

Port Sizes: 5" & 6" NPTF
5" & 6" Hose Barb
1" Thru 2" BSP

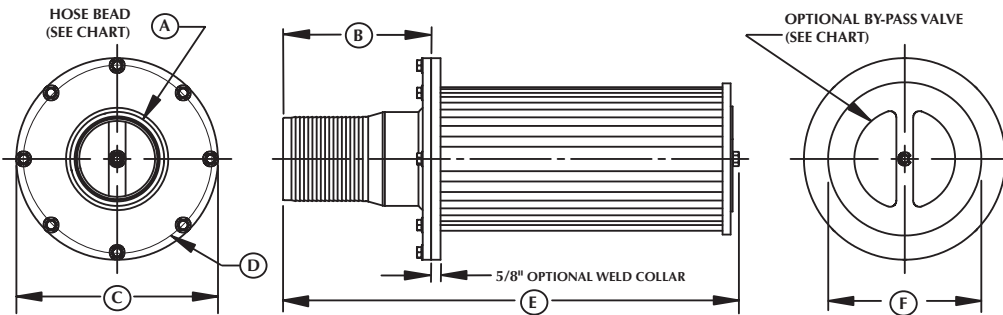
Standard: 100 Mesh
Optional: 30, 60, & 200 Mesh

3 PSI (6" Hg) or 5 PSI (10" Hg) optional by-pass valve



* PRODUCT SHOWN WITH OPTIONAL WELD COLLAR AND 3/8" BOLT HARDWARE AVAILABLE IN WELD COLLAR KITS

Model	A Outlet Port	B	C Flange Diameter	D Bolt Circle Diameter	E Overall Length	F Dia	Rated Flow @ 5 ft/sec	Optional Weld Collar Kit
HS-500P-X-X	5" NPTF	1 3/4"	12"	11 1/8"	20 1/8"	9"	312 GPM	MF09K
HS-600P-X-X	6" NPTF	1 7/8"	12"	11 1/8"	21 1/2"	9"	450 GPM	MF09K



* PRODUCT SHOWN WITH OPTIONAL WELD COLLAR AND 3/8" BOLT HARDWARE AVAILABLE IN WELD COLLAR KITS

Model	A Outlet Port	B	C Flange Diameter	D Bolt Circle Diameter	E Overall Length	F Dia	Rated Flow @ 5 ft/sec	Optional Weld Collar Kit
HS-500H-X-X	5" Hose Barb	8 3/4"	12"	11 1/8"	27"	9"	312 GPM	MF09K
HS-600H-X-X	6" Hose Barb	10 1/8"	12"	11 1/8"	28 1/2"	9"	450 GPM	MF09K

Design Features:

- Provides user with alternate hand hole access for clean out and component installation.
- Steel weld collar Mounting Kit with mounting hardware available.
- O-ring seal provided (Buna N Standard) (Consult Factory for Alternate Seal Materials)

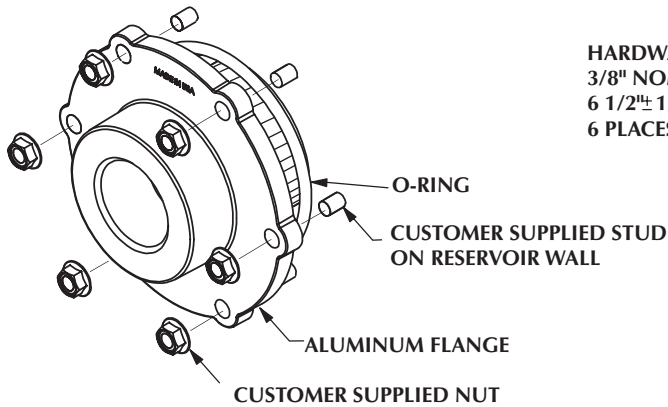
HOW TO ORDER: HS - XXXX - X - X

Model	
Code	Wire Mesh
0	100 Mesh (Std.)
2	200 Mesh
3	30 Mesh
6	60 Mesh

Code	By-Pass Valve
0	No Valve
3	3 PSI
5	5 PSI

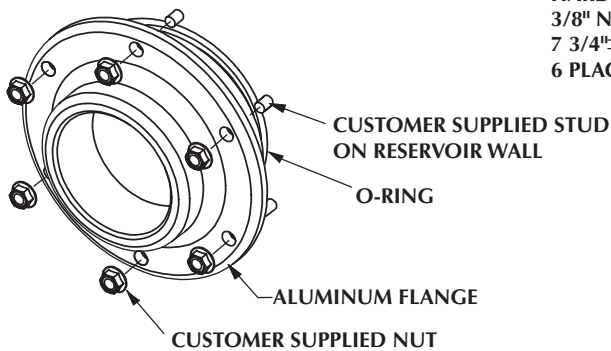
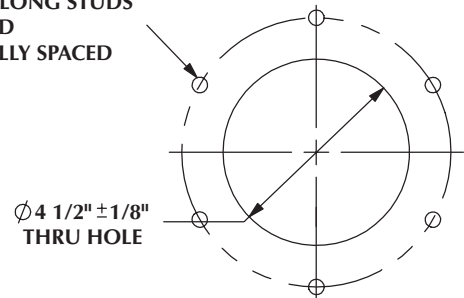
HS SERIES

"CLEAN OUT" HATCH STRAINER INSTALLATION LAYOUT



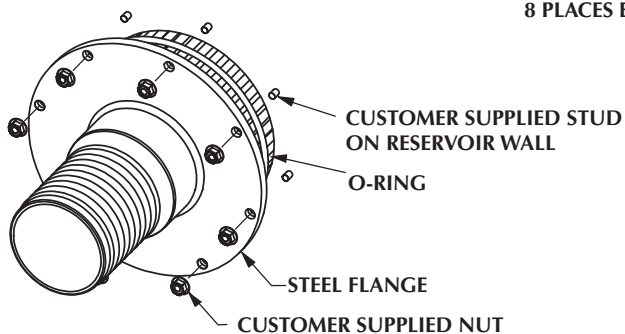
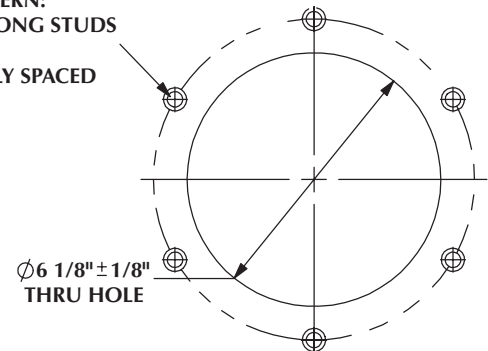
HS070-HS250 SERIES

HARDWARE PATTERN:
3/8" NOM. X 1" LONG STUDS
6 1/2" ± 1/16" BCD
6 PLACES EQUALLY SPACED



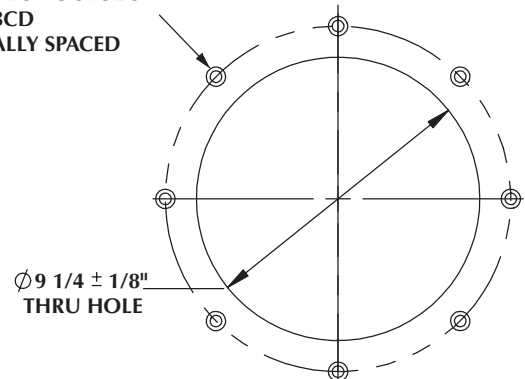
HS300-HS400 SERIES

HARDWARE PATTERN:
3/8" NOM. X 1" LONG STUDS
7 3/4" ± 1/16" BCD
6 PLACES EQUALLY SPACED



HS500-HS600 SERIES

HARDWARE PATTERN:
3/8" NOM. X 1" LONG STUDS
11 1/8" ± 1/8" BCD
8 PLACES EQUALLY SPACED

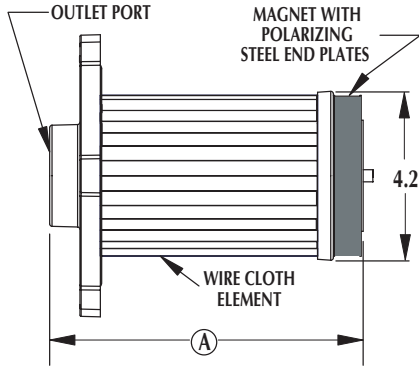


Port Sizes: 3/4" Thru 2 1/2" NPTF
 Standard: 100 Mesh
 Optional: 30, 60, & 200 Mesh

HS SERIES MAGNETIC "CLEAN OUT" HATCH STRAINER STEEL EXTERNAL MOUNTED

STYLE A

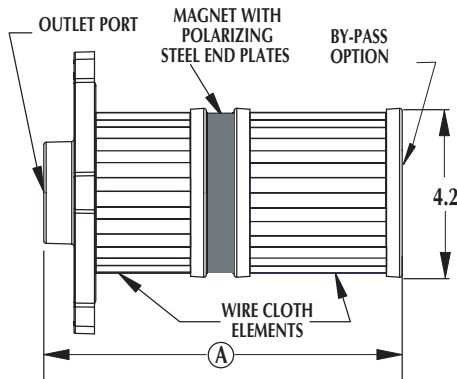
One wire cloth element - One magnet
 (By-Pass valve **not** available on this series)



Model	Outlet Port	Length (A)	Rated Flow @ 5ft/sec.
HS-070P-X-0-M1A	3/4" NPTF	4 3/4"	8 GPM
HS-100P-X-0-M1A	1" NPTF	4 3/4"	14 GPM
HS-100C-X-0-M1A	1" BSP (G1"-11)	5 3/4"	10 GPM
HS-120P-X-0-M1A	1 1/4" NPTF	5 3/4"	23 GPM
HS-120C-X-0-M1A	1 1/4" BSP (G1 1/4"-11)	7 3/4"	17 GPM
HS-150P-X-0-M1A	1 1/2" NPTF	7 3/4"	32 GPM
HS-150C-X-0-M1A	1 1/2" BSP (G1 1/2"-11)	7 3/4"	25 GPM
HS-160S-X-0-M1A	1 5/8"-12UN (SAE-20)	7 3/4"	14 GPM
HS-180S-X-0-M1A	1 7/8"-12UN (SAE-24)	8 3/8"	21 GPM
HS-200P-X-0-M1A	2" NPTF	8 3/8"	53 GPM
HS-200C-X-0-M1A	2" BSP (G2"-11)	10 3/8"	42 GPM
HS-250P-X-0-M1A	2 1/2" NPTF	10 3/8"	75 GPM
HS-250S-X-0-M1A	2 1/2"-12UN (SAE-32)	8 3/8"	39 GPM

STYLE B

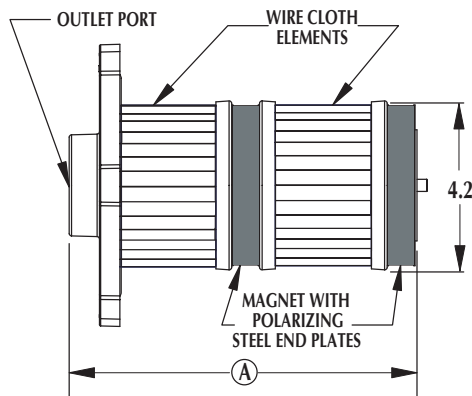
Two wire cloth elements - One magnet
 (Available with or without by-pass valve)



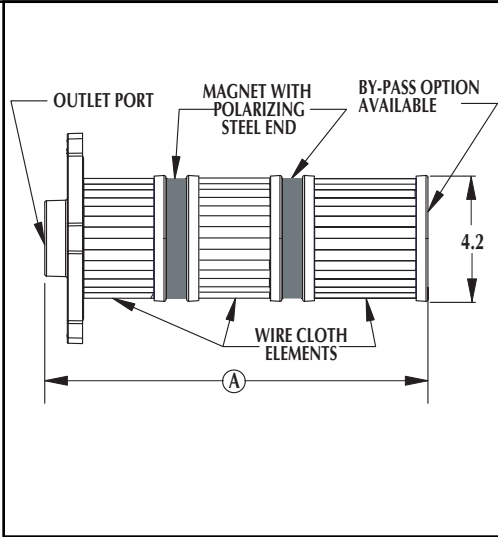
Model	Outlet Port	Length (A)	Rated Flow @ 5ft/sec.
HS-070P-X-X-M1B	3/4" NPTF	8 7/8"	8 GPM
HS-100P-X-X-M1B	1" NPTF	8 7/8"	14 GPM
HS-100C-X-X-M1B	1" BSP (G1"-11)	8 7/8"	10 GPM
HS-120P-X-X-M1B	1 1/4" NPTF	8 7/8"	23 GPM
HS-120C-X-X-M1B	1 1/4" BSP (G1 1/4"-11)	8 7/8"	17 GPM
HS-150P-X-X-M1B	1 1/2" NPTF	8 7/8"	32 GPM
HS-150C-X-X-M1B	1 1/2" BSP (G1 1/2"-11)	8 7/8"	25 GPM
HS-160S-X-X-M1B	1 5/8"-12UN (SAE-20)	8 7/8"	14 GPM
HS-180S-X-X-M1B	1 7/8"-12UN (SAE-24)	8 7/8"	21 GPM
HS-200P-X-X-M1B	2" NPTF	9 1/2"	53 GPM
HS-200C-X-X-M1B	2" BSP (G2"-11)	9 1/2"	42 GPM
HS-250P-X-X-M1B	2 1/2" NPTF	9 1/2"	75 GPM
HS-250S-X-X-M1B	2 1/2"-12UN (SAE-32)	9 1/2"	39 GPM

STYLE C

Two wire cloth elements - Two magnets
 (By-Pass valve **not** available on this series)



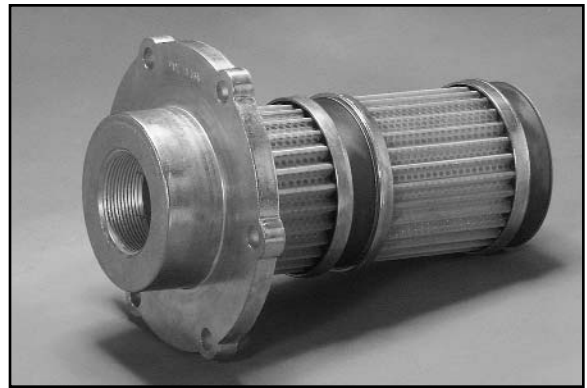
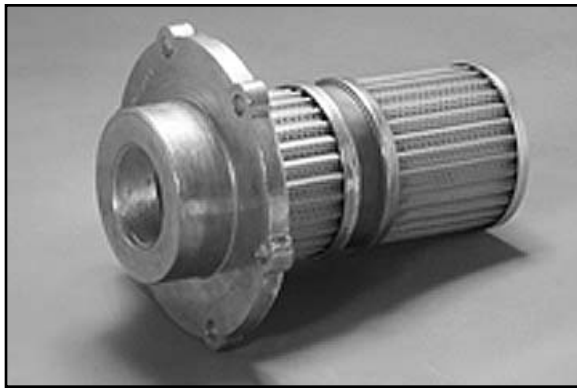
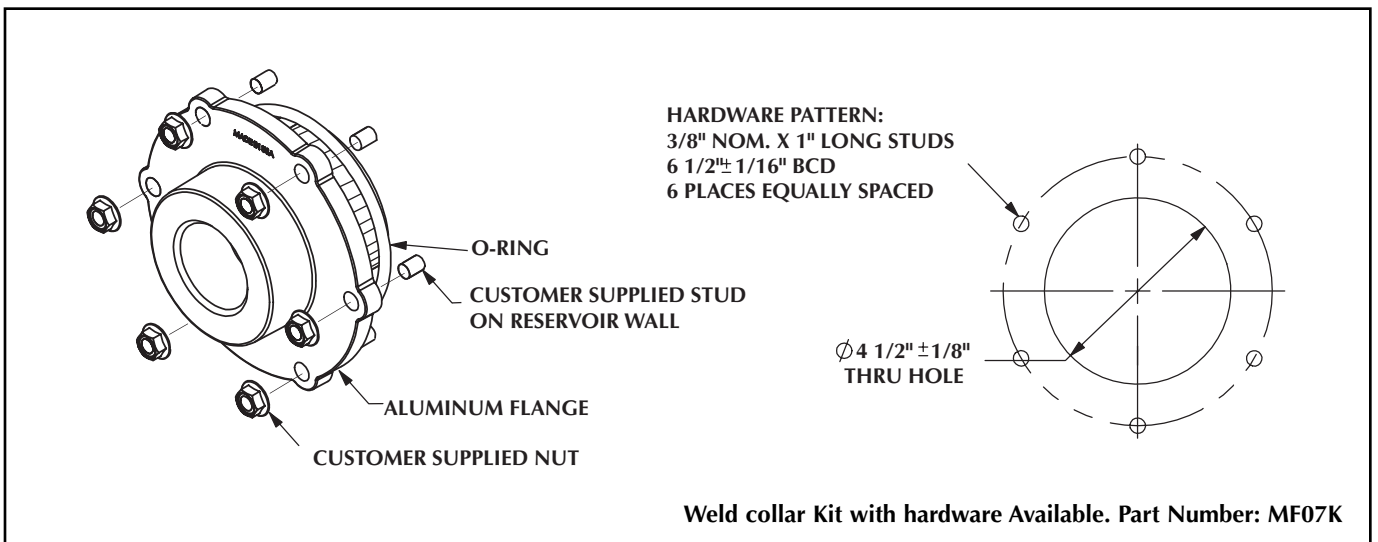
Model	Outlet Port	Length (A)	Rated Flow @ 5ft/sec.
HS-070P-X-0-M2C	3/4" NPTF	8 5/8"	8 GPM
HS-100P-X-0-M2C	1" NPTF	4 3/4"	14 GPM
HS-100C-X-0-M2C	1" BSP (G1"-11)	5 3/4"	10 GPM
HS-120P-X-0-M2C	1 1/4" NPTF	5 3/4"	23 GPM
HS-120C-X-0-M2C	1 1/4" BSP (G1 1/4"-11)	7 3/4"	17 GPM
HS-150P-X-0-M2C	1 1/2" NPTF	7 3/4"	32 GPM
HS-150C-X-0-M2C	1 1/2" BSP (G1 1/2"-11)	7 3/4"	25 GPM
HS-160S-X-0-M2C	1 5/8"-12UN (SAE-20)	7 3/4"	14 GPM
HS-180S-X-0-M2C	1 7/8"-12UN (SAE-24)	8 3/8"	21 GPM
HS-200P-X-0-M2C	2" NPTF	8 3/8"	53 GPM
HS-200C-X-0-M2C	2" BSP (G2"-11)	10 3/8"	42 GPM
HS-250P-X-0-M2C	2 1/2" NPTF	10 3/8"	75 GPM
HS-250S-X-0-M2C	2 1/2"-12UN (SAE-32)	8 3/8"	39 GPM



STYLE D

Three wire cloth elements - Two magnets
(Available with or without by-pass valve)

Model	Outlet Port	Length (A)	Rated Flow @ 5ft/sec.
HS-070P-X-X-M2D	3/4" NPTF	12 3/4"	8 GPM
HS-100P-X-X-M2D	1" NPTF	12 3/4"	14 GPM
HS-100C-X-X-M2D	1" BSP (G1"-11)	12 3/4"	10 GPM
HS-120P-X-X-M2D	1 1/4" NPTF	12 3/4"	23 GPM
HS-120C-X-X-M2D	1 1/4" BSP (G1 1/4"-11)	12 3/4"	17 GPM
HS-150P-X-X-M2D	1 1/2" NPTF	12 3/4"	32 GPM
HS-150C-X-X-M2D	1 1/2" BSP (G1 1/2"-11)	12 3/4"	25 GPM
HS-160S-X-X-M2D	1 5/8"-12UN (SAE-20)	12 3/4"	14 GPM
HS-180S-X-X-M2D	1 7/8"-12UN (SAE-24)	12 3/4"	21 GPM
HS-200P-X-X-M2D	2" NPTF	13 3/8"	53 GPM
HS-200C-X-X-M2D	2" BSP (G2"-11)	13 3/8"	42 GPM
HS-250P-X-X-M2D	2 1/2" NPTF	13 3/8"	75 GPM
HS-250S-X-X-M2D	2 1/2"-12UN (SAE-32)	13 3/8"	39 GPM



HOW TO ORDER: HS - XXXX - X - X - X

Model	
Code	Wire Mesh
0	100 Mesh (Std.)
2	200 Mesh
3	30 Mesh
6	60 Mesh

Code	Style
M1A	A
M1B	B
M2C	C
M2D	D

Code	By-Pass Valve
0	No Valve
3	3 PSI
5	5 PSI

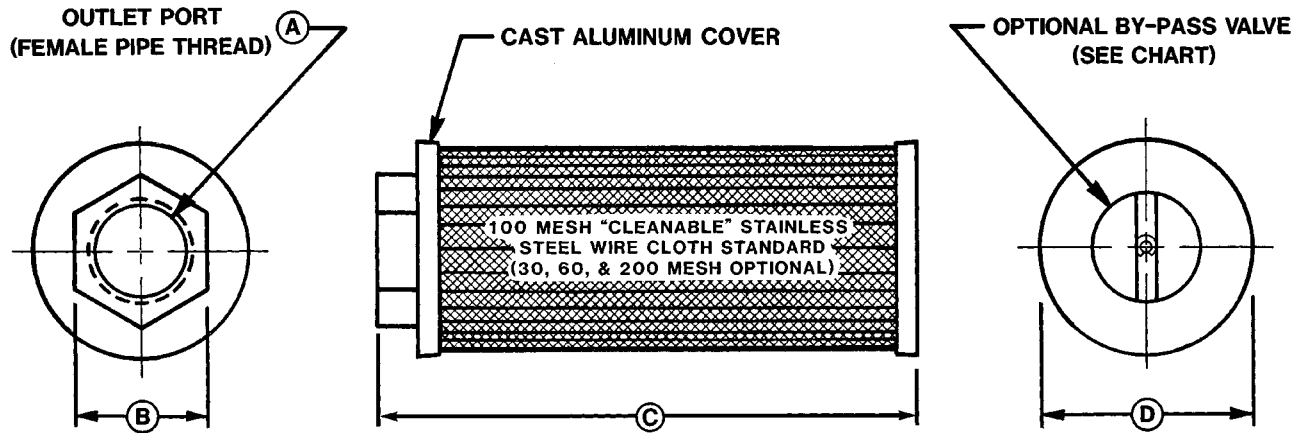
By-Pass not available on Style A and C Series



SS & MS SERIES INTERNALLY MOUNTED TANK FILTER

Port Sizes: 3/8" Thru 6" NPTF
 Standard: 100 Mesh
 Optional: 30, 60, & 200 Mesh

3 PSI (6" Hg) or 5 PSI (10" Hg) optional by-pass valve.



Model	A Outlet Port	B Wrench Flat	C Overall Length	D OD	Rated Flow At 5 Ft/Sec
MS-030-X-0*	3/8" NPTF	1.20"	2.6"	1.1"	3 GPM
SS-030-X-0*	3/8" NPTF	1.13"	2.2"	3.2"	3 GPM
MS-050-X-0*	1/2" NPTF	1.20"	2.6"	1.1"	5 GPM
SS-050-X-0*	1/2" NPTF	1.13"	2.2"	3.2"	5 GPM
MS-070-X-X	3/4" NPTF	1.50"	3.9"	1.5"	8 GPM
SS-070-X-X	3/4" NPTF	1.75"	3.6"	3.2"	8 GPM
MS-100-X-X	1" NPTF	1.75"	3.9"	1.7"	14 GPM
SS-100-X-X	1" NPTF	1.75"	4.6"	3.2"	14 GPM
SS-120-X-X	1 1/4" NPTF	2.25"	6.6"	3.2"	23 GPM
SS-150-X-X	1 1/2" NPTF	2.25"	8.6"	3.2"	32 GPM
SS-154-X-X	1 1/2" NPTF	2.25"	7.2"	4.2"	32 GPM
SS-200-X-X	2" NPTF	3.00"	7.2"	4.2"	53 GPM
SS-250-X-X	2 1/2" NPTF	3.50"	9.3"	4.2"	75 GPM
SS-300-X-X	3" NPTF	4.00"	12.4"	4.2"	116 GPM
SS-400-X-X	4" NPTF	NA	20.1"	9.0"	200 GPM
SS-600-X-X	6" NPTF	NA	20.1"	9.0"	450 GPM

Design Features:

- All MS, & SS Series models suitable for use with petroleum base oils, fire resistant hydraulic fluids, coolants, and lubricants.

ZINGA EXCLUSIVE

REVERSE TAPER

All Zinga Series tank filters have a reverse taper on the outside wall of the end caps. This ensures a positive interlock with the epoxy edge side. Thus preventing bond failure in rough terrain vehicle applications.

HOW TO ORDER: XS-XXX - X - X

Model

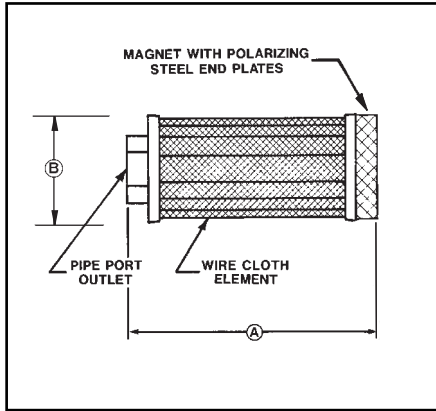
Code	Wire Mesh
0	100 Mesh (Std.)
2	200 Mesh
3	30 Mesh
6	60 Mesh

Code	By-Pass Valve
0	No Valve
3	3 PSI
5	5 PSI
*	By-Pass Valve Not Available On These Models

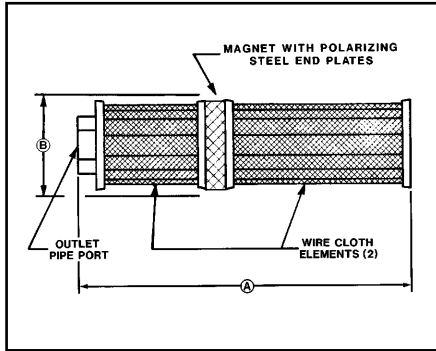
Port Sizes: 3/8" Thru 3" NPTF
 Standard: 100 Mesh
 Optional: 30, 60, & 200 Mesh

3 PSI (6" Hg) or 5 PSI (10" Hg) optional by-pass valve.

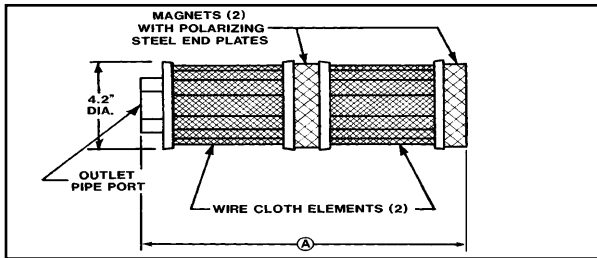
SS SERIES MAGNETIC INTERNALLY- MOUNTED TANK FILTER



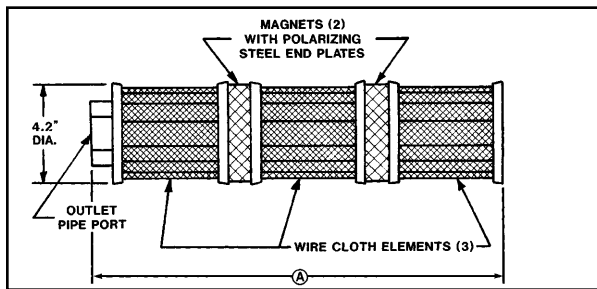
STYLE A Two wire cloth elements - One magnet (Available with or without by-pass valve)				
Model	Outlet Port	Overall Length ^(A)	Rated Flow At 5 Ft/Sec	OD ^(B)
SS-030-X-0-M1A	3/8" NPTF	2.9"	3 GPM	3.2"
SS-050-X-0-M1A	1/2" NPTF	2.9"	5 GPM	3.2"
SS-070-X-0-M1A	3/4" NPTF	4.3"	8 GPM	3.2"
SS-100-X-0-M1A	1" NPTF	5.3"	14 GPM	3.2"
SS-120-X-0-M1A	1 1/4" NPTF	7.3"	23 GPM	3.2"
SS-150-X-0-M1A	1 1/2" NPTF	9.3"	32 GPM	3.2"
SS-200-X-0-M1A	2" NPTF	7.9"	53 GPM	4.2"
SS-250-X-0-M1A	2 1/2" NPTF	10"	75 GPM	4.2"
SS-300-X-0-M1A	3" NPTF	13.2"	116 GPM	4.2"



STYLE B Two wire cloth elements - One magnet (Available with or without by-pass valve)				
Model	Outlet Port	Overall Length ^(A)	Rated Flow At 5 Ft/Sec	OD ^(B)
SS-070-X-X-M1B	3/4" NPTF	4.6"	8 GPM	3.2"
SS-100-X-X-M1B	1" NPTF	6.0"	14 GPM	3.2"
SS-120-X-X-M1B	1 1/4" NPTF	7.0"	23 GPM	3.2"
SS-150-X-X-M1B	1 1/2" NPTF	9.0"	32 GPM	3.2"
SS-200-X-X-M1B	2" NPTF	9.1"	53 GPM	4.2"
SS-250-X-X-M1B	2 1/2" NPTF	11.1"	75 GPM	4.2"
SS-300-X-X-M1B	3" NPTF	14.3"	116 GPM	4.2"



STYLE C Two wire cloth elements - Two magnets (By-Pass valve not available on this series)			
Model	Outlet Port	Overall Length ^(A)	Rated Flow At 5 Ft/Sec
SS-200-X-0-M2C	2" NPTF	9.7"	53 GPM
SS-250-X-0-M2C	2 1/2" NPTF	11.9"	75 GPM
SS-300-X-0-M2C	3" NPTF	15.0"	116 GPM



STYLE D Three wire cloth elements - Two magnets (Available with or without by-pass valve)			
Model	Outlet Port	Overall Length ^(A)	Rated Flow At 5 Ft/Sec
SS-200-X-X-M2D	2" NPTF	11.9"	53 GPM
SS-250-X-X-M2D	2 1/2" NPTF	14.0"	75 GPM
SS-300-X-X-M2D	3" NPTF	15.1"	116 GPM

HOW TO ORDER:

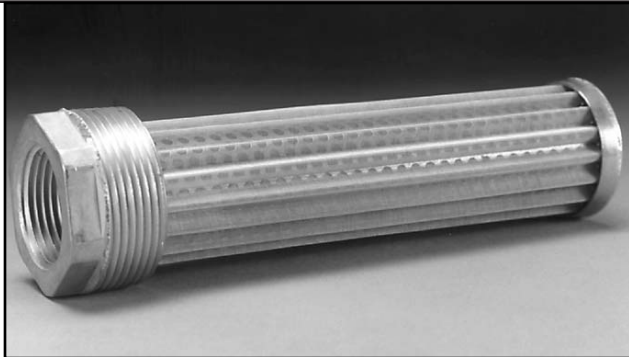
SS-XXX - X - X - MXX

Model

Code	Wire Mesh
0	100 Mesh (Std.)
2	200 Mesh
3	30 Mesh
6	60 Mesh

Code	Style
M1A	A
M1B	B
M2C	C
M2D	D

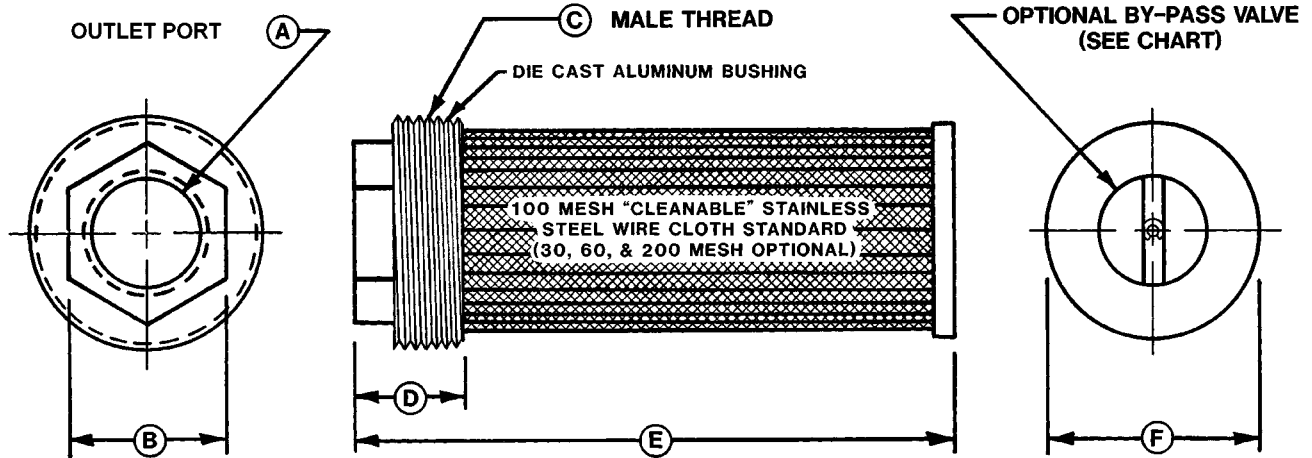
Code	By-Pass Valve
0	No Valve
3	3 PSI
5	5 PSI



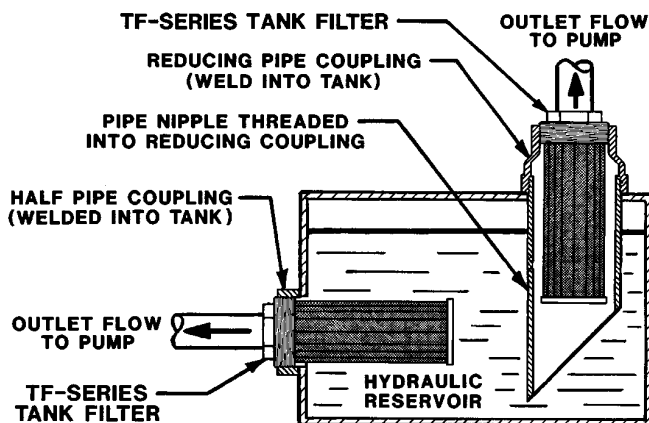
TF SERIES TANK FILTER EXTERNALLY MOUNTED

Port Sizes: 3/8" Thru 4" NPTF
 Standard: 100 Mesh
 Optional: 30, 60, & 200 Mesh

3 PSI (6" Hg) or 5 PSI (10" Hg) optional by-pass valve



Model	A Outlet Port	B Hex Size	C Male Thread	D Fitting Length	E	F Cover Dia.	Rated Flow at 5 Ft/Sec
TF-0310-X-0*	3/8" NPTF	1.2"	1" NPTF	1.1"	2.6"	1.1"	3 GPM
TF-0510-X-X	1/2" NPTF	1.2"	1" NPTF	1.1"	4.9"	1.1"	5 GPM
TF-0712-X-X	3/4" NPTF	1.5"	1 1/4" NPTF	1.1"	6.9"	1.5"	8 GPM
TF-1015-X-X	1" NPTF	1.75"	1 1/2" NPTF	1.1"	6.9"	1.7"	14 GPM
TF-1030-X-X	1" NPTF	2.5"	3" NPTF	1.5"	4.7"	3.2"	14 GPM
TF-1220-X-X	1 1/4" NPTF	2.1"	2" NPTF	1.2"	9.1"	2.2"	23 GPM
TF-1230-X-X	1 1/4" NPTF	2.5"	3" NPTF	1.5"	6.7"	3.2"	23 GPM
TF-1530-X-X	1 1/2" NPTF	2.5"	3" NPTF	1.5"	8.7"	3.2"	32 GPM
TF-1630-X-X	1 5/8"-12 (SAE-20)	2.5"	3" NPTF	1.5"	8.7"	3.2"	14 GPM
TF-1830-X-X	1 7/8"-12 (SAE-24)	2.5"	3" NPTF	1.5"	8.7"	3.2"	21 GPM
TF-2030-X-X	2" NPTF	3.06"	3" NPTF	1.6"	8.8"	3.2"	53 GPM
TF-2040-X-X	2" NPTF	4.13"	4" NPTF	1.8"	7.7"	4.2"	53 GPM
TF-2540-X-X	2 1/2" NPTF	4.13"	4" NPTF	2.1"	9.7"	4.2"	75 GPM
TF-3040-X-X	3" NPTF	4.13"	4" NPTF	2.1"	12.7"	4.2"	116 GPM
TF-4060-X-X	4" NPTF	5.8"	6" NPTF	2.3"	12.4"	6.0"	200 GPM

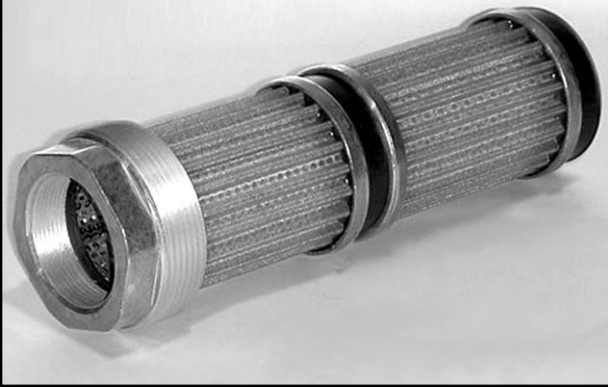


HOW TO ORDER:

TF - XXXX - X - X

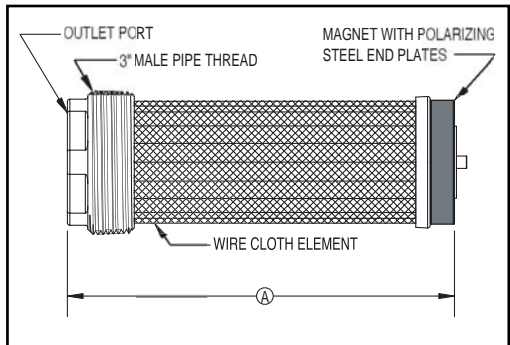
Model	
Code	Wire Mesh
0	100 Mesh (Std.)
2	200 Mesh
3	30 Mesh
6	60 Mesh

Code	By-Pass Valve
0	No Valve
3	3 PSI
5	5 PSI
*	By-Pass Valve Not Available on These Models



TF SERIES EXTERNALLY MOUNTED TANK FILTER WITH 3" MAGNET

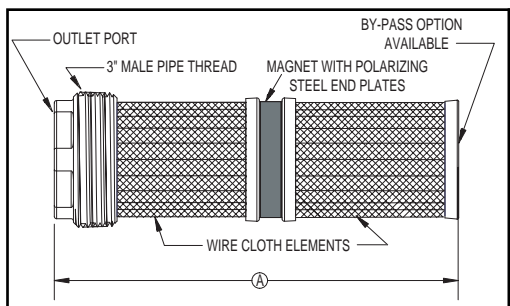
Port Size: 1" Thru 2" NPTF
Standard: 100 Mesh
Optional: 30, 60 & 200 Mesh
3 PSI (6" Hg) or 5 PSI (10" Hg) optional by-pass valve.



STYLE A

One wire cloth element & - one magnet (3" OD X 1/2" thick)
(By-pass valve **not** available on this series)

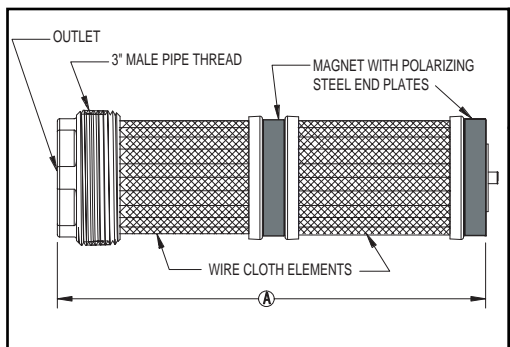
Model	Outlet Port	Length (A)	Rated Flow @ 5 ft/sec.
TF-1030-X-0-M1A	1" NPTF	5.3"	14 GPM
TF-1230-X-0-M1A	1 1/4" NPTF	7.3"	23 GPM
TF-1530-X-0-M1A	1 1/2" NPTF	9.3"	32 GPM
TF-1630-X-0-M1A	1 5/8"-12 UN (SAE-20)	9.3"	20 GPM
TF-1830-X-0-M1A	1 7/8"-12 UN (SAE-24)	9.4"	30 GPM
TF-2030-X-0-M1A	2" NPTF	9.4"	53 GPM



STYLE B

Two wire cloth elements & one magnet (3" OD X 1/2" thick)

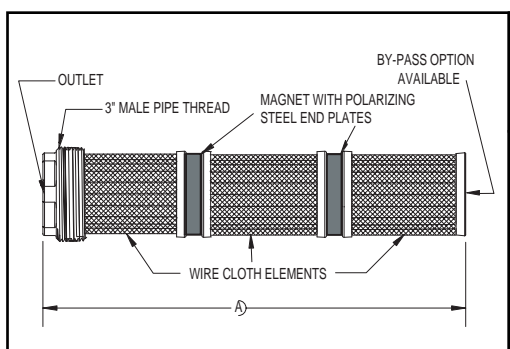
Model	Outlet Port	Length (A)	Rated Flow @ 5 ft/sec.
TF-1030-X-0-M1B	1" NPTF	5.3"	14 GPM
TF-1230-X-0-M1B	1 1/4" NPTF	5.3"	23 GPM
TF-1530-X-X-M1B	1 1/2" NPTF	9.9"	32 GPM
TF-1630-X-X-M1B	1 5/8"-12 UN (SAE-20)	9.9"	20 GPM
TF-1830-X-X-M1B	1 7/8"-12 UN (SAE-24)	10"	30 GPM
TF-2030-X-X-M1B	2" NPTF	10.5"	53 GPM



STYLE C

Two wire cloth elements & two magnets (3" OD X 1/2" thick)
(By-pass valve **not** available on this series)

Model	Outlet Port	Length (A)	Rated Flow @ 5 ft/sec.
TF-1030-X-0-M2C	1" NPTF	6.3"	14 GPM
TF-1230-X-0-M2C	1 1/4" NPTF	6.3"	23 GPM
TF-1530-X-0-M2C	1 1/2" NPTF	10.5"	32 GPM
TF-1630-X-0-M2C	1 5/8" NPTF	10.5"	20 GPM
TF-1830-X-0-M2C	1 7/8"-12 UN (SAE-20)	10.6"	30 GPM
TF-2030-X-0-M2C	2" NPTF	11.1"	53 GPM



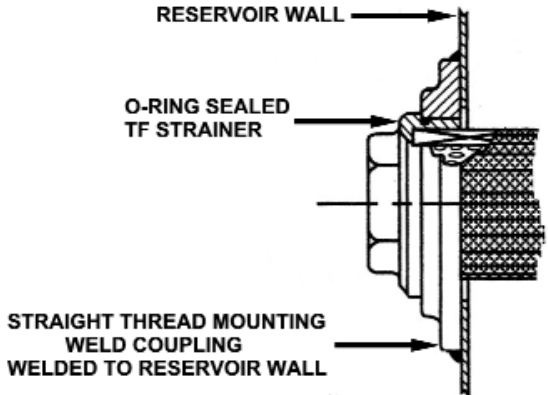
STYLE D

Three wire cloth elements & two magnets (3" OD X 1/2" thick)

Model	Outlet Port	Length (A)	Rated Flow @ 5 ft/sec.
TF-1030-X-0-M2D	1" NPTF	8.5"	14 GPM
TF-1230-X-0-M2D	1 1/4" NPTF	8.5"	23 GPM
TF-1530-X-X-M2D	1 1/2" NPTF	14.9"	32 GPM
TF-1630-X-X-M2D	1 5/8"-12 UN (SAE-20)	14.9"	20 GPM
TF-1830-X-X-M2D	1 7/8"-12 UN (SAE-24)	15"	30 GPM
TF-2030-X-X-M2D	2" NPTF	15.8"	53 GPM

O-RING SEAL UNITS WITH MAGNETS
 Buna "N" O-ring supplied as standard (fluorocarbon optional).
 Weld Collar WC-1634 should be ordered separately for these units (5 inch OD)

Model	Outlet Port	External Thread	Length (A)	Rated Flow @ 5 ft/sec.
TF-1634-X-0-M1A	1 5/8"-12 UN (SAE-20)	3 3/8"-12 UN-2A	9.3"	20 GPM
TF-1634-X-X-M1B	1 5/8"-12 UN (SAE-20)	3 3/8"-12 UN-2A	9.9"	20 GPM
TF-1634-X-0-M2C	1 5/8"-12 UN (SAE-20)	3 3/8"-12 UN-2A	10.5"	20 GPM
TF-1634-X-X-M2D	1 5/8"-12 UN (SAE-20)	3 3/8"-12 UN-2A	14.9"	20 GPM
TF-1834-X-0-M1A	1 7/8"-12 UN (SAE-24)	3 3/8"-12 UN-2A	9.4"	30 GPM
TF-1834-X-X-M1B	1 7/8"-12 UN (SAE-24)	3 3/8"-12 UN -2A	10.1"	30 GPM
TF-1834-X-X-M2C	1 7/8"-12 UN (SAE-24)	3 3/8"-12 UN-2A	10.6"	30 GPM
TF-1834-X-X-M2D	1 7/8"-12 UN (SAE-24)	3 3/8"-12 UN-2A	15"	30 GPM



ZINGA EXCLUSIVE

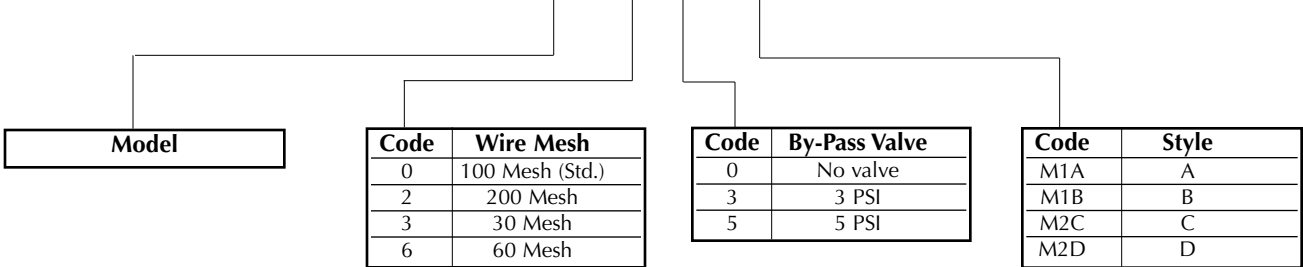
← REVERSE TAPER

All Zinga Series tank filters have a reverse taper on the outside wall of the end caps. This ensures a positive interlock with the epoxy edge side. Thus preventing bond failure in rough terrain vehicle applications.

TF Series models are suitable for use with All petroleum base oils, fire resistant hydraulic fluids, coolants, and lubricants.

HOW TO ORDER:

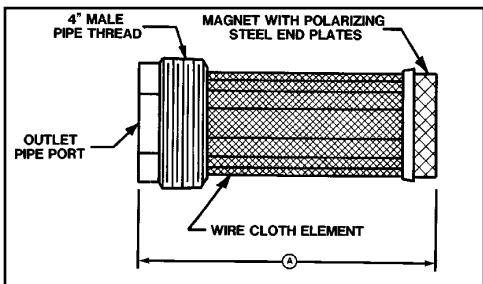
TF - XXXX - X - X - MXX





TF SERIES EXTERNALLY MOUNTED TANK FILTER WITH 4" MAGNET

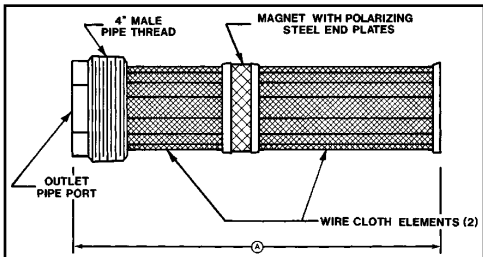
Port Sizes: 2" Thru 3" NPTF
 Standard: 100 Mesh
 Optional: 30, 60, & 200 Mesh
3 PSI (6" Hg) or 5 PSI (10" Hg) optional by-pass valve.



STYLE A

One wire cloth element - one magnet (4" OD x 5/8" thick)
 (By-pass valve **not** available on this series)

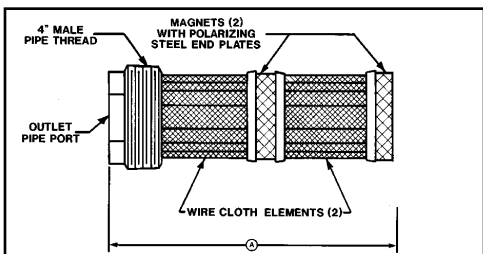
Model	Outlet Port	Overall Length (A)	Rated Flow @ 5Ft/Sec
TF-2040-X-0-M1A	2" NPTF	8.5"	53 GPM
TF-2540-X-0-M1A	2 1/2" NPTF	10.5"	75 GPM
TF-3040-X-0-M1A	3" NPTF	13.5"	116 GPM



STYLE B

Two wire cloth elements - one magnet (4" OD x 5/8" thick)
 (Available with or without by-pass valve)

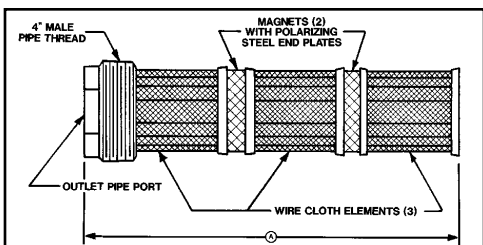
Model	Outlet Port	Overall Length (A)	Rated Flow @ 5Ft/Sec
TF-2040-X-X-M1B	2" NPTF	9.7"	53 GPM
TF-2540-X-X-M1B	2 1/2" NPTF	11.7"	75 GPM
TF-3040-X-X-M1B	3" NPTF	14.7"	116 GPM



STYLE C

Two wire cloth elements - two magnet (4" OD x 5/8" thick)
 (By-pass valve **not** available on this series)

Model	Outlet Port	Overall Length (A)	Rated Flow @ 5Ft/Sec
TF-2040-X-0-M2C	2" NPTF	10.4"	53 GPM
TF-2540-X-0-M2C	2 1/2" NPTF	12.4"	75 GPM
TF-3040-X-0-M2C	3" NPTF	15.4"	116 GPM



STYLE D

Three wire cloth elements - two magnet (4" OD x 5/8" thick)
 (Available with or without by-pass valve)

Model	Outlet Port	Overall Length (A)	Rated Flow @ 5Ft/Sec
TF-2040-X-X-M2D	2" NPTF	13.5"	53 GPM
TF-2540-X-X-M2D	2 1/2" NPTF	14.5"	75 GPM
TF-3040-X-X-M2D	3" NPTF	15.5"	116 GPM

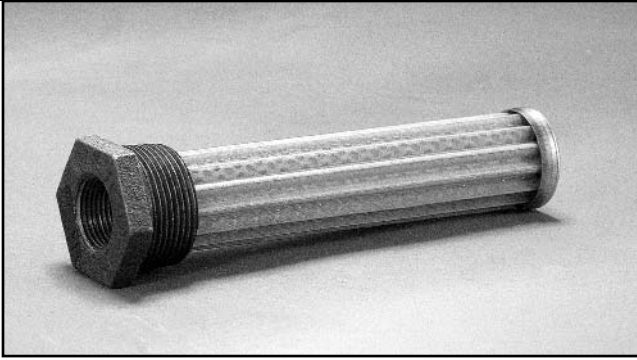
HOW TO ORDER:

TF-XXXX - X - X - MXX

Model	
Code	Wire Mesh
0	100 Mesh (Std.)
2	200 Mesh
3	30 Mesh
6	60 Mesh

Code	By-Pass Valve
0	No Valve
3	3 PSI
5	5 PSI

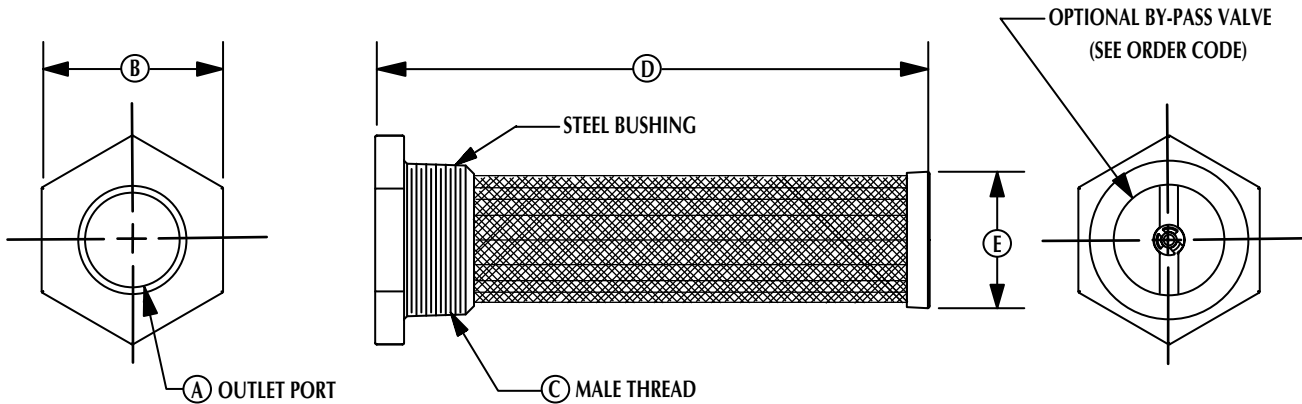
Code	Style
M1A	A
M1B	B
M2C	C
M2D	D



TFS SERIES STEEL BUSHING TANK FILTER EXTERNALLY MOUNTED

Port Size: 1/2" Thru 3" NPT
 Standard: 100 Mesh
 Optional: 30, 60 & 200 Mesh

3 PSI (6" Hg) or 5 PSI (10" Hg) optional by-pass valve.



Model	A Outlet Port	B Hex Size	C Male Thread	D Overall Length	E Cover Dia.	Rated Flow. At 5 Ft/Sec
TFS-0510-X-X	1/2" NPT	1.38"	1" NPT	5.0"	1.1"	5 GPM
TFS-0712-X-X	3/4" NPT	1.80"	1 1/4" NPT	6.9"	1.5"	8 GPM
TFS-1015-X-X	1" NPT	2.05"	1 1/2" NPT	7.1"	1.7"	14 GPM
TFS-1220-X-X	1 1/4" NPT	2.58"	2" NPT	9.1"	2.2"	23 GPM
TFS-1540-X-X	1 1/2" NPT	4.65"	4" NPT	9.2"	4.2"	32 GPM
TFS-2030-X-X	2" NPT	3.30"	3" NPT	9.4"	3.2"	53 GPM
TFS-2540-X-X	2 1/2" NPT	4.65"	4" NPT	9.8"	4.2"	75 GPM
TFS-3040-X-X	3" NPT	4.65"	4" NPT	9.8"	4.2"	116 GPM

HOW TO ORDER:

TFS-XXXX - X - X

Model

Code	Wire Mesh
0	100 Mesh (Std.)
2	200 Mesh
3	30 Mesh
6	60 Mesh

Code	By-Pass Valve
0	No Valve
3	3 PSI
5	5 PSI

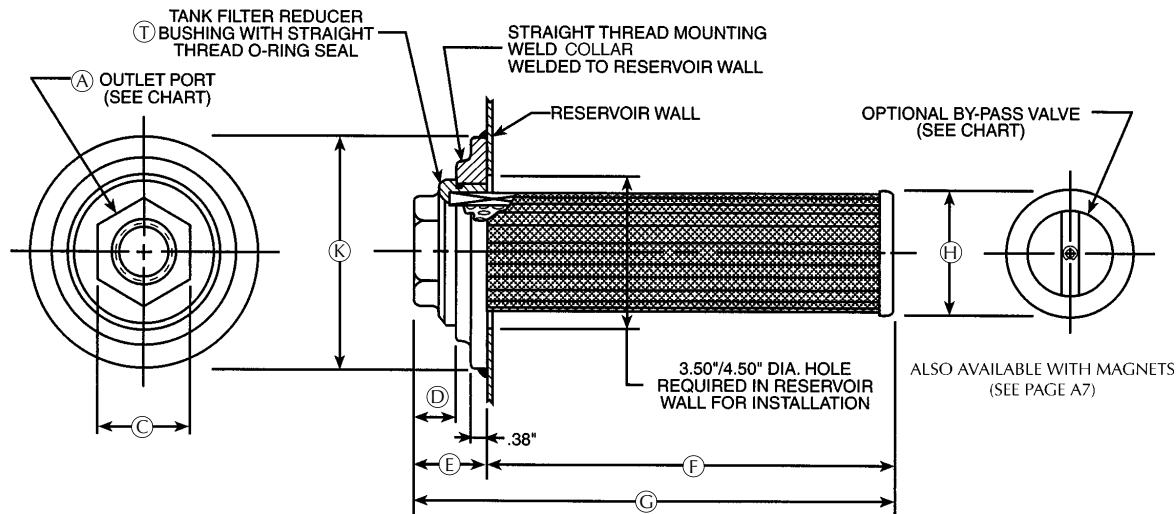


TF & TFS SERIES O-RING SEAL TANK STRAINER & MOUNTING WELD COLLAR

Port Sizes: 1 5/8" - 12 SAE & 1 7/8" - 12 SAE
 Standard: 100 Mesh
 Optional: 30, 60, & 200 Mesh

3 PSI (6" Hg) or 5 PSI (10" Hg) Optional By-Pass Valve

Design provides leak proof service by using a male straight thread o-ring seal that mates with a female straight thread collar welded to the reservoir.



Tank Filters									
Model	T Thread	A Outlet Port	C Hex	D	E	F	G	H Dia.	Rated Flow At 5 Ft/Sec
TFS-1625-X-X	2 1/2" - 12 UN-2A	1 5/8"-12 (SAE-20)	2.75"	.8"	1.3"	7.9"	9.2"	2.2"	14 GPM
TF-1634-X-X	3 3/8" - 12 UN-2A	1 5/8"-12 (SAE-20)	2.44"	.9"	1.5"	5.2"	6.7"	3.2"	14 GPM
TF-1834-X-X	3 3/8" - 12 UN-2A	1 7/8"-12 (SAE-24)	2.44"	.9"	1.5"	7.2"	8.7"	3.2"	21 GPM

HOW TO ORDER:

TF(S)-XXXX - X - X

NOTE:

1. Buna "N" o-ring supplied as standard, fluorocarbon available.
2. 100 Mesh stainless steel wire cloth standard (30, 60, & 200 Mesh optional).
3. TFS: steel tank filter reducer bushing.
 TF: Cast aluminum tank filter reducer bushing.

Model

Code	Wire Mesh
0	100 Mesh (Std.)
2	200 Mesh
3	30 Mesh
6	60 Mesh

Code	By-Pass Valve
0	No Valve
3	3 PSI
5	5 PSI

Weld Collars		
Part Number	T Thread	K Dia.
WC-1225	2 1/2" - 12 UN-2B	3.9"
WC-1634	3 3/8" - 12 UN-2B	5.0"

Should Be Ordered Separately

