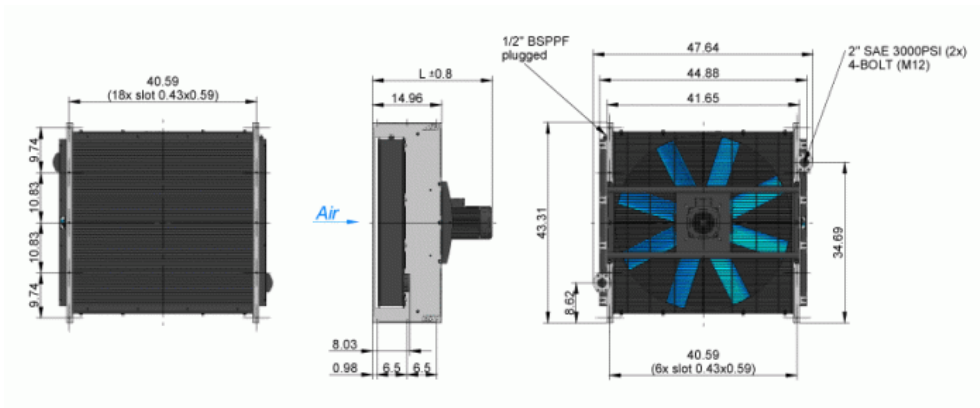
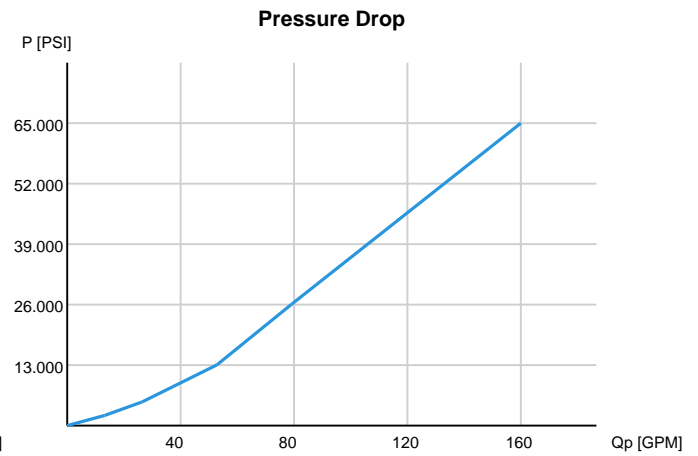
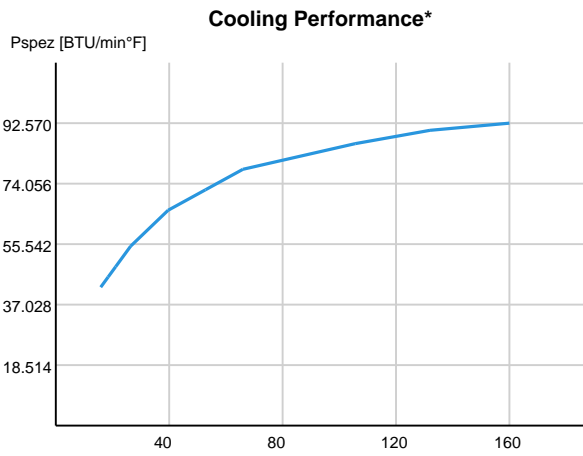


ASA 0929 230/460V (60Hz) (3 HP)



- A: - F: -
- B: - G: -
- C: - L: 28 in
- D: - W: -
- E: -

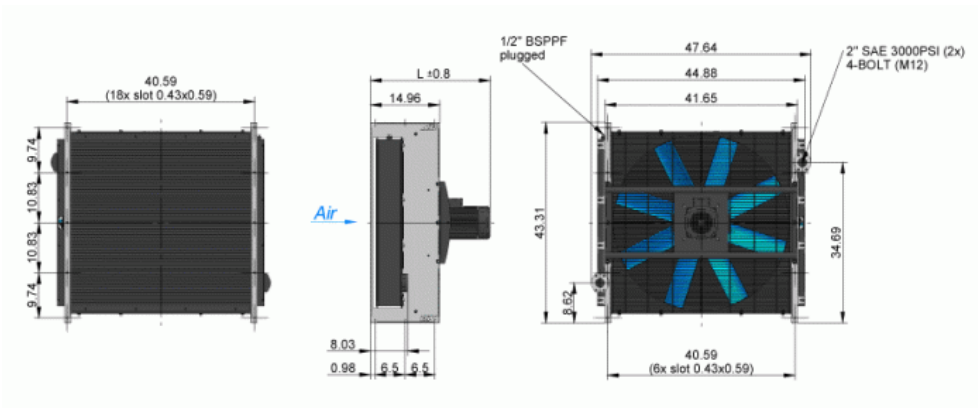


Order Number	Motor Power	Current	Protection Level	Rotation	Air Flow	Noise Level	Weight
ASA0929SA6C	3 HP	4.8 A	IP 55	1200 RPM	8500 SCFM	91 db(A)	384.12 lbs

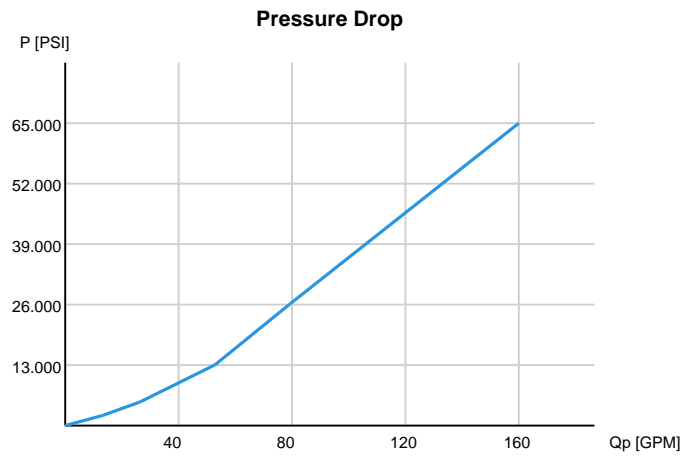
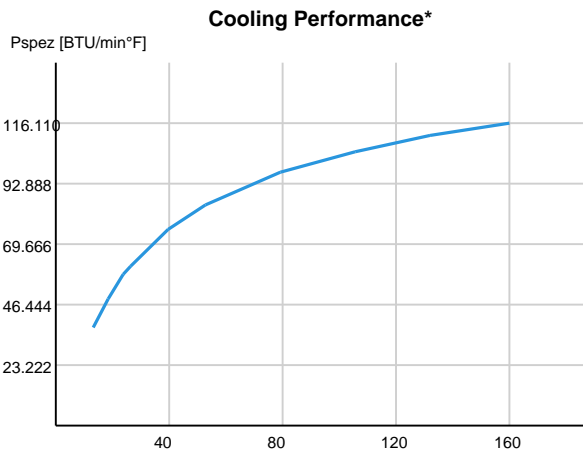


Working pressure (static): 26 bar (370 PSI)
Radiator material: Aluminium

ASA 0929 230/460V (60Hz) (7.5 HP)



- A: - F: -
- B: - G: -
- C: - L: 32 in
- D: - W: -
- E: -



Order Number	Motor Power	Current	Protection Level	Rotation	Air Flow	Noise Level	Weight
ASA0929SA6F	7.5 HP	11 A	IP 55	1175 RPM	11450 SCFM	94 db(A)	468.16 lbs



Working pressure (static): 26 bar (370 PSI)
Radiator material: Aluminium

*Note – Cooling Performance

The cooling performance mentioned in this homepage is conservative and measured at a test bench according to asa test procedures with oil type ISO VG 46 and presents a bases for your cooler selection regarding required cooling performance. Because there is no standard test procedure, tests used by other manufacturers might have different results. Due to different environment conditions the cooling performance can vary by +/- 15%.

Therefore we recommend all coolers be checked under the system operating conditions. This is also true for vibrations and mechanical stress as well as for pressure peaks and thermal stress.

General tolerance according to DIN 2768-g.

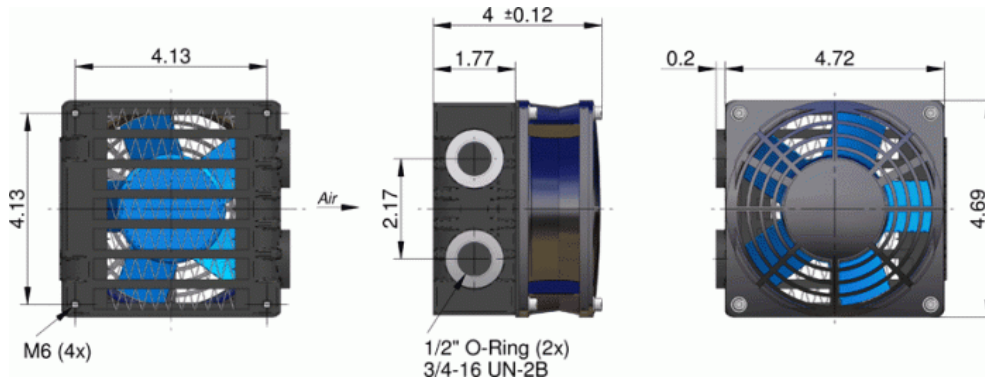
The information contained in this homepage is intended to be used as a guideline only. Customers should always confirm the suitability of the information and these products in their particular applications. ASA assumes no liability for any errors, commissions or misprints and reserves the right to change products and details without prior notification. As we are constantly improving our products, the characteristics, dimensions and weights can also change, although we do our best to incorporate these changes continually.

asa hydraulik of America Inc.
160 Meister Avenue #20A
Branchburg, NJ 08876

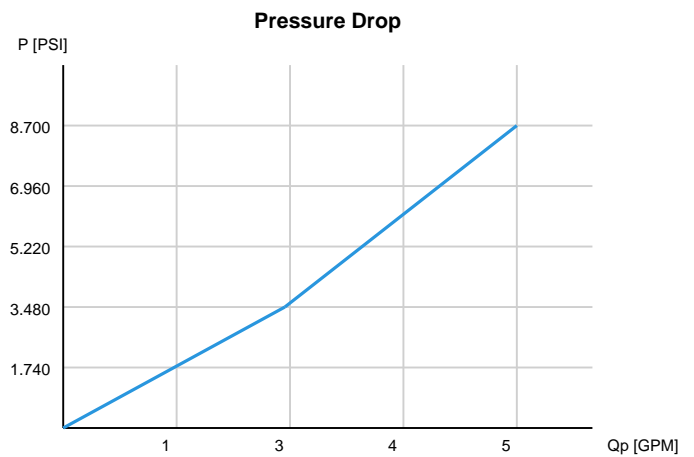
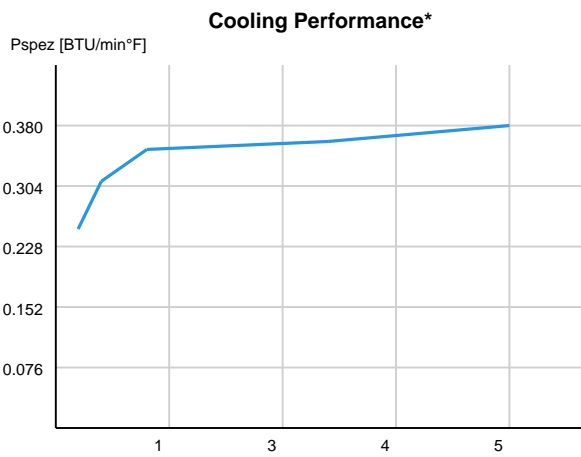
Tel.: 800-473-9400
Fax: 908-541-1550

sales_US@asahydraulik.com
www.asahydraulik.com

TT 01 115V AC (0.03 HP)



- A: - F: -
- B: - G: -
- C: - L: -
- D: - W: -
- E: -



Order Number	Motor Power	Current	Protection Level	Rotation	Air Flow	Noise Level	Weight
ASA0013UE03	0.03 HP	0.12 A	IP 20	2650 RPM	70.6 SCFM	41 db(A)	3.08 lbs



Working pressure (static): 26 bar (370 PSI)
Radiator material: Aluminium

***Note – Cooling Performance**

The cooling performance mentioned in this homepage is conservative and measured at a test bench according to asa test procedures with oil type ISO VG 46 and presents a bases for your cooler selection regarding required cooling performance. Because there is no standard test procedure, tests used by other manufacturers might have different results. Due to different environment conditions the cooling performance can vary by +/- 15%.

Therefore we recommend all coolers be checked under the system operating conditions. This is also true for vibrations and mechanical stress as well as for pressure peaks and thermal stress.

General tolerance according to DIN 2768-g.

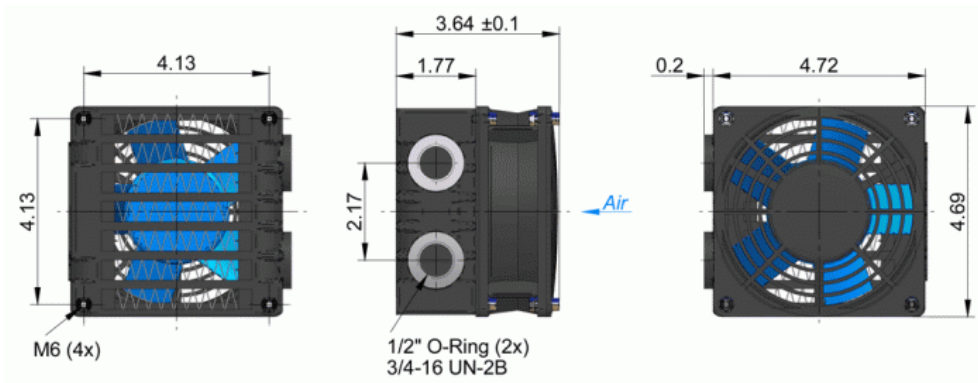
The information contained in this homepage is intended to be used as a guideline only. Customers should always confirm the suitability of the information and these products in their particular applications. ASA assumes no liability for any errors, commissions or misprints and reserves the right to change products and details without prior notification. As we are constantly improving our products, the characteristics, dimensions and weights can also change, although we do our best to incorporate these changes continually.

asa hydraulik of America Inc.
160 Meister Avenue #20A
Branchburg, NJ 08876

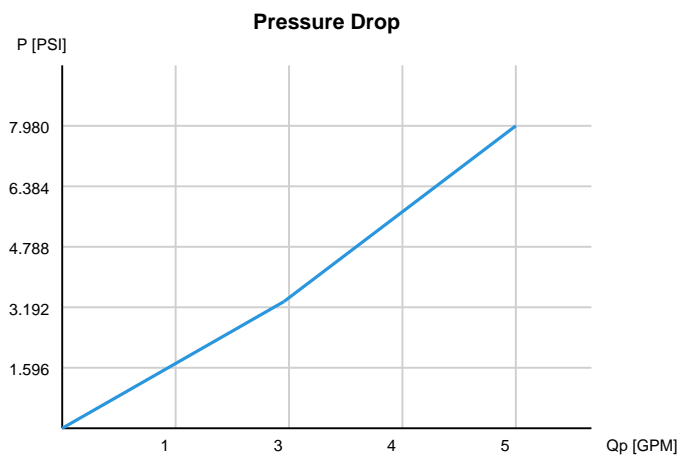
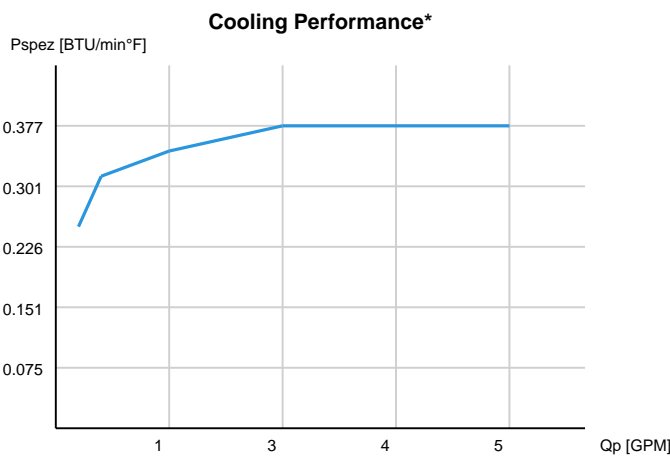
Tel.: 800-473-9400
Fax: 908-541-1550

sales_US@asahydraulik.com
www.asahydraulik.com

TT 01 12V DC (0.04 HP)



A: - F: -
 B: - G: -
 C: - L: -
 D: - W: -
 E: -

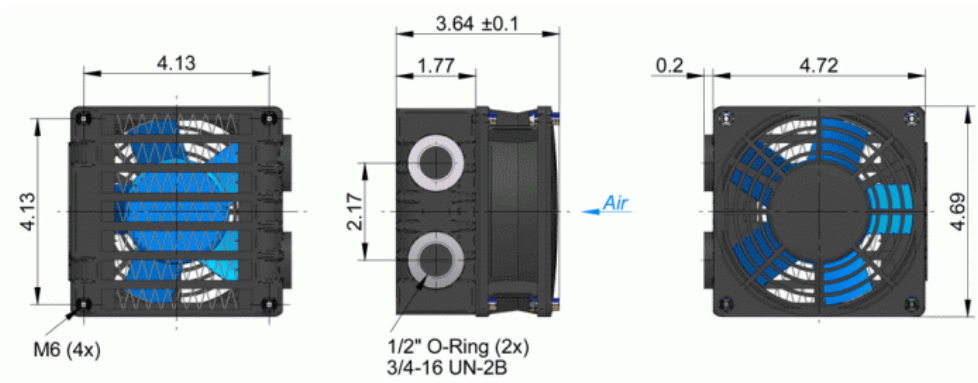


Order Number	Motor Power	Current	Protection Level	Rotation	Air Flow	Noise Level	Weight
ASA0013UD01	0.04 HP	0.3 A	IP 20	2800 RPM	70.6 SCFM	44 db(A)	3.08 lbs

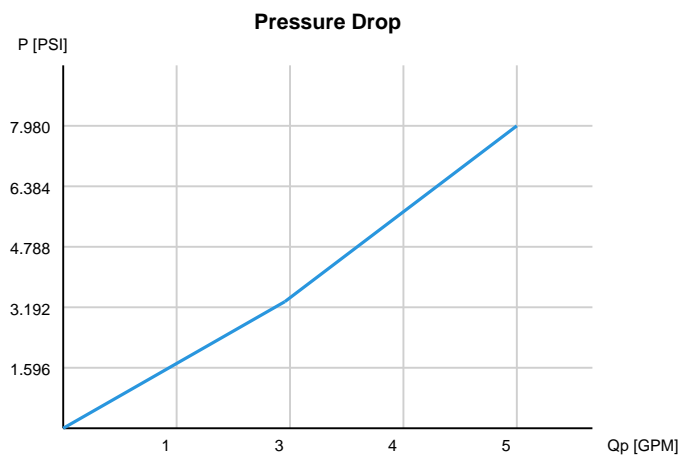
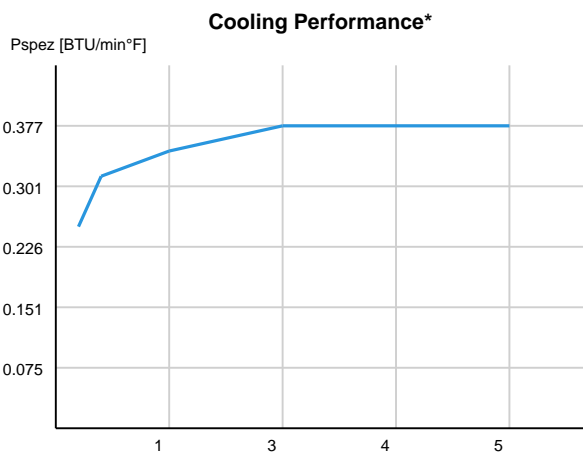


Working pressure (static): 26 bar (370 PSI)
Radiator material: Aluminium

TT 01 24V DC (0.04 HP)



A: - F: -
 B: - G: -
 C: - L: -
 D: - W: -
 E: -



Order Number	Motor Power	Current	Protection Level	Rotation	Air Flow	Noise Level	Weight
ASA0013UD02	0.04 HP	0.15 A	IP 20	2800 RPM	70.6 SCFM	44 db(A)	3.08 lbs



Working pressure (static): 26 bar (370 PSI)
Radiator material: Aluminium

***Note – Cooling Performance**

The cooling performance mentioned in this homepage is conservative and measured at a test bench according to asa test procedures with oil type ISO VG 46 and presents a bases for your cooler selection regarding required cooling performance. Because there is no standard test procedure, tests used by other manufacturers might have different results. Due to different environment conditions the cooling performance can vary by +/- 15%.

Therefore we recommend all coolers be checked under the system operating conditions. This is also true for vibrations and mechanical stress as well as for pressure peaks and thermal stress.

General tolerance according to DIN 2768-g.

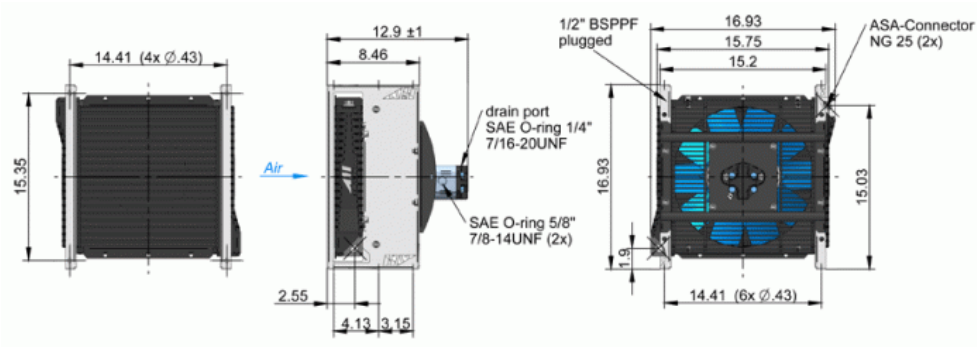
The information contained in this homepage is intended to be used as a guideline only. Customers should always confirm the suitability of the information and these products in their particular applications. ASA assumes no liability for any errors, commissions or misprints and reserves the right to change products and details without prior notification. As we are constantly improving our products, the characteristics, dimensions and weights can also change, although we do our best to incorporate these changes continually.

asa hydraulik of America Inc.
160 Meister Avenue #20A
Branchburg, NJ 08876

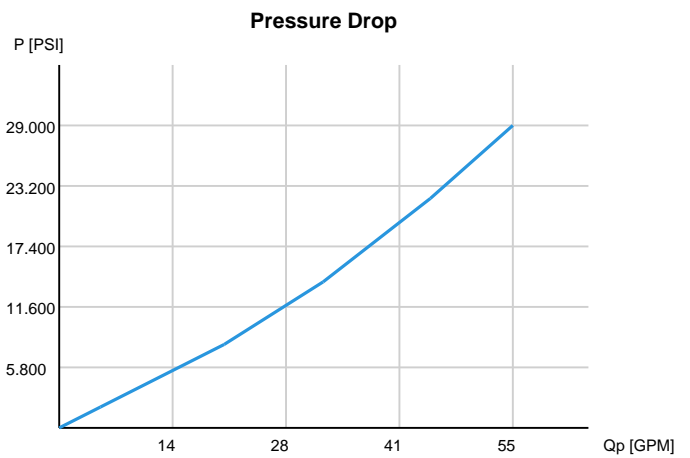
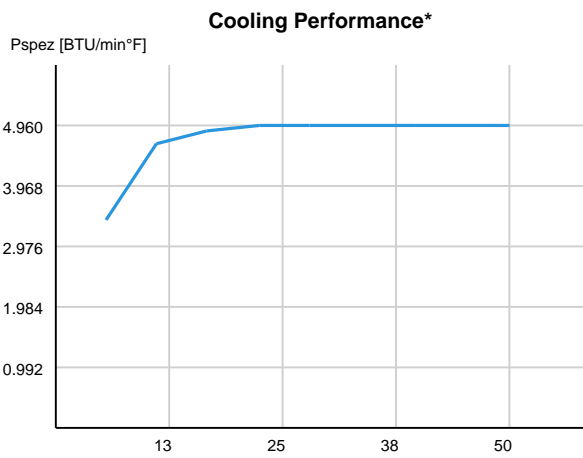
Tel.: 800-473-9400
Fax: 908-541-1550

sales_US@asahydraulik.com
www.asahydraulik.com

ASA 0115 Hyd. Motor .73 Cu.In. 1000rpm (0.03 HP)



- A: - F: -
- B: - G: -
- C: - L: -
- D: - W: -
- E: -

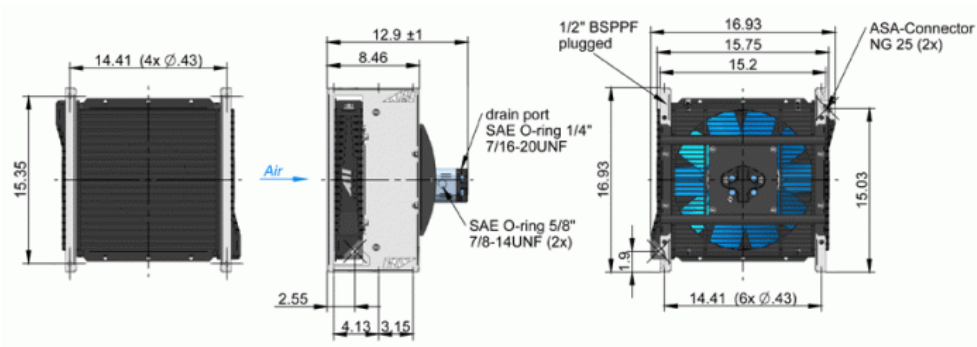


Order Number	Motor Power	Current	Protection Level	Rotation	Air Flow	Noise Level	Weight
ASA0115AH12	0.03 HP	-	-	1000 RPM	370.65 SCFM	66 db(A)	52.8 lbs

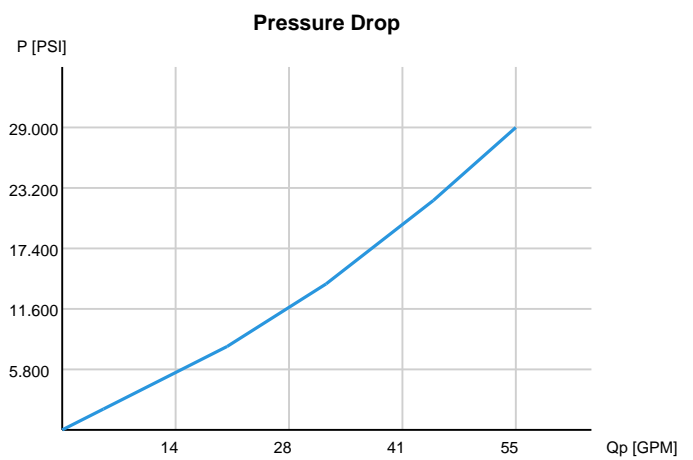
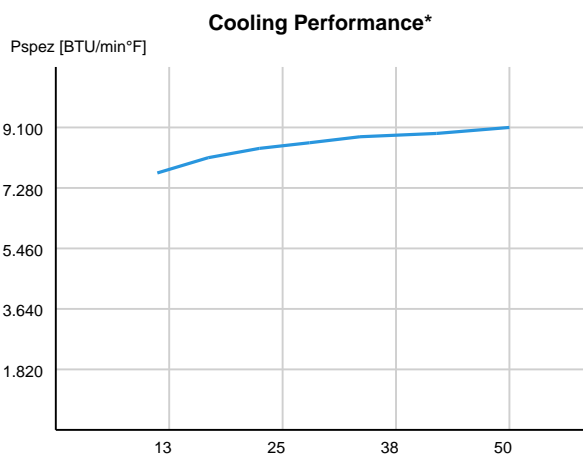


Working pressure (static): 26 bar (370 PSI)
Radiator material: Aluminium

ASA 0115 Hyd. Motor .73 Cu.In. 2000rpm (0.26 HP)



A: - F: -
 B: - G: -
 C: - L: -
 D: - W: -
 E: -

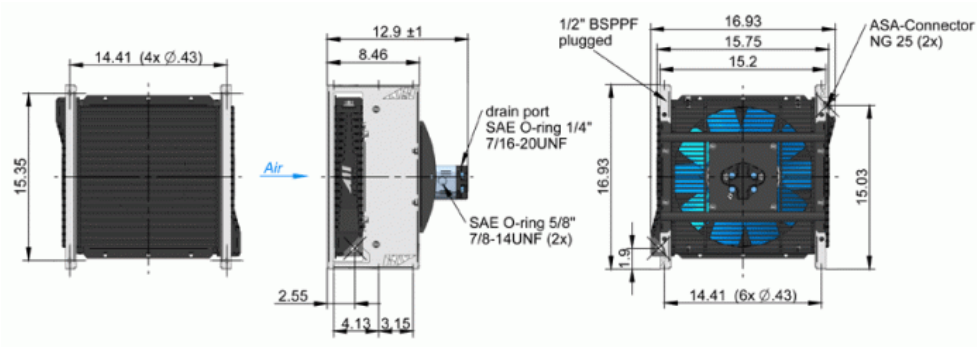


Order Number	Motor Power	Current	Protection Level	Rotation	Air Flow	Noise Level	Weight
ASA0115AH12	0.26 HP	-	-	2000 RPM	706 SCFM	82 db(A)	52.8 lbs

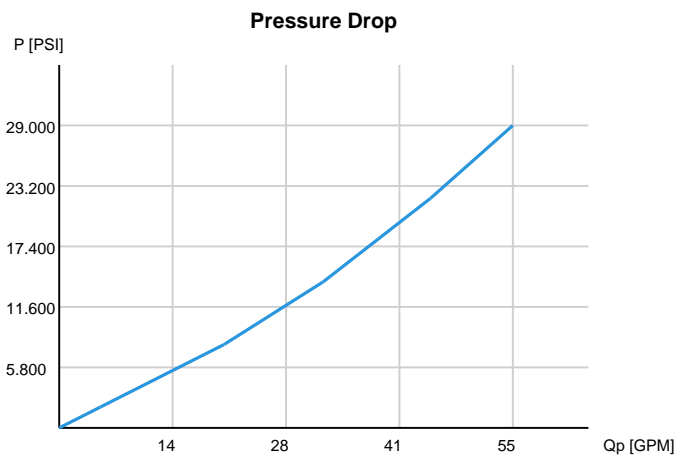
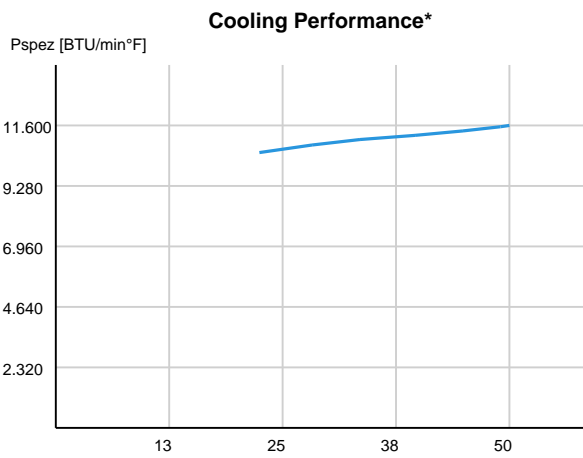


Working pressure (static): 26 bar (370 PSI)
Radiator material: Aluminium

ASA 0115 Hyd. Motor .73 Cu.In. 3000rpm (0.88 HP)



A: - F: -
 B: - G: -
 C: - L: -
 D: - W: -
 E: -



Order Number	Motor Power	Current	Protection Level	Rotation	Air Flow	Noise Level	Weight
ASA0115AH12	0.88 HP	-	-	3000 RPM	1323.75 SCFM	90 db(A)	52.8 lbs



Working pressure (static): 26 bar (370 PSI)
 Radiator material: Aluminium

***Note – Cooling Performance**

The cooling performance mentioned in this homepage is conservative and measured at a test bench according to asa test procedures with oil type ISO VG 46 and presents a bases for your cooler selection regarding required cooling performance. Because there is no standard test procedure, tests used by other manufacturers might have different results. Due to different environment conditions the cooling performance can vary by +/- 15%.

Therefore we recommend all coolers be checked under the system operating conditions. This is also true for vibrations and mechanical stress as well as for pressure peaks and thermal stress.

General tolerance according to DIN 2768-g.

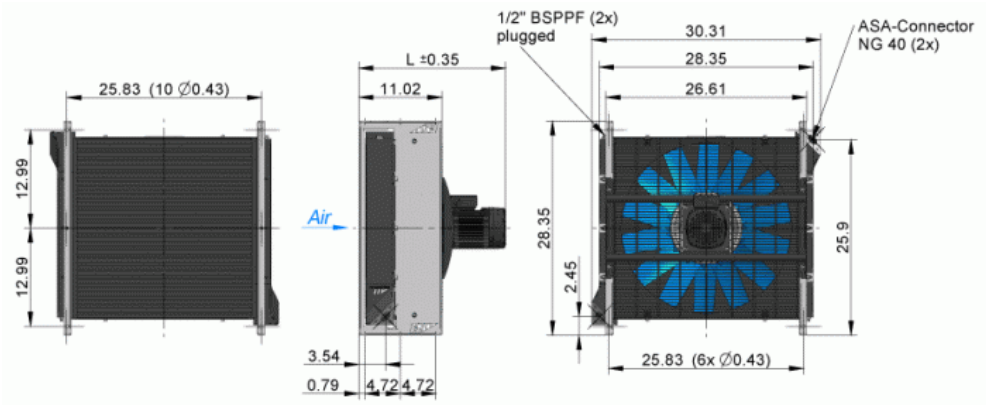
The information contained in this homepage is intended to be used as a guideline only. Customers should always confirm the suitability of the information and these products in their particular applications. ASA assumes no liability for any errors, commissions or misprints and reserves the right to change products and details without prior notification. As we are constantly improving our products, the characteristics, dimensions and weights can also change, although we do our best to incorporate these changes continually.

asa hydraulik of America Inc.
160 Meister Avenue #20A
Branchburg, NJ 08876

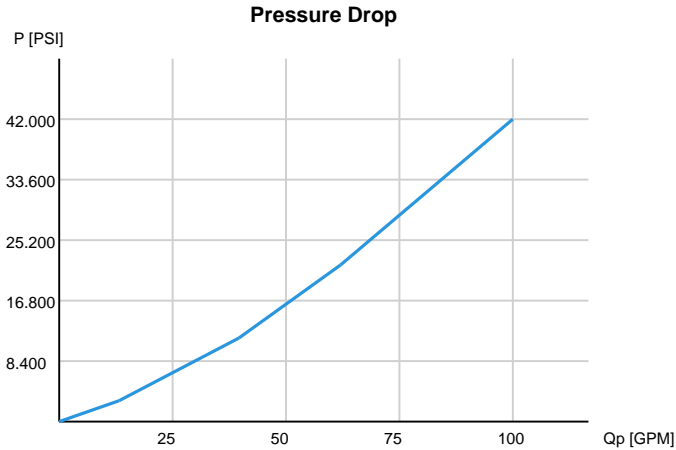
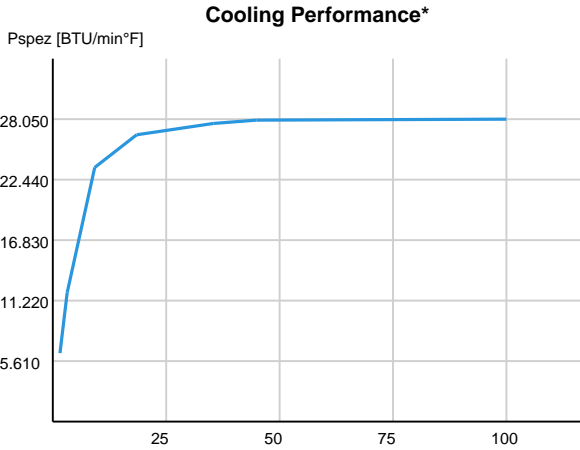
Tel.: 800-473-9400
Fax: 908-541-1550

sales_US@asahydraulik.com
www.asahydraulik.com

ASA 0367 230/460V (60Hz) (0.5 HP)



A:	-	F:	-
B:	-	G:	-
C:	-	L:	20.8 in
D:	-	W:	-
E:	-		

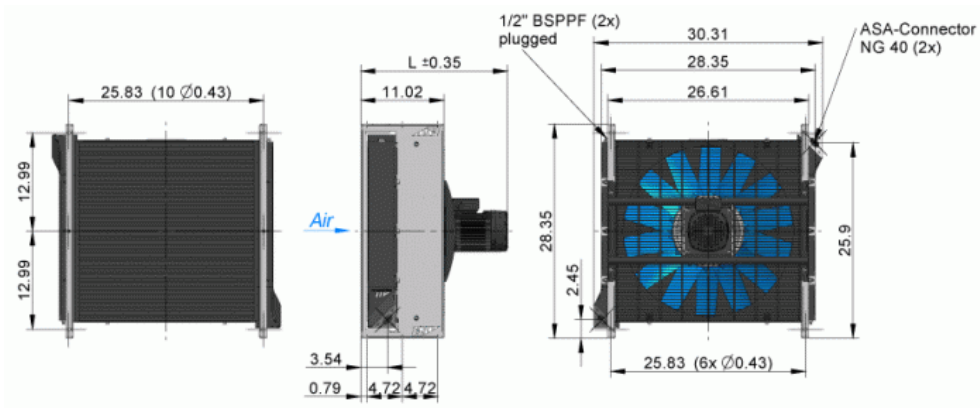


Order Number	Motor Power	Current	Protection Level	Rotation	Air Flow	Noise Level	Weight
ASA0367AA66	0.5 HP	0.95 A	IP 55	1130 RPM	1659.1 SCFM	76 db(A)	138.6 lbs

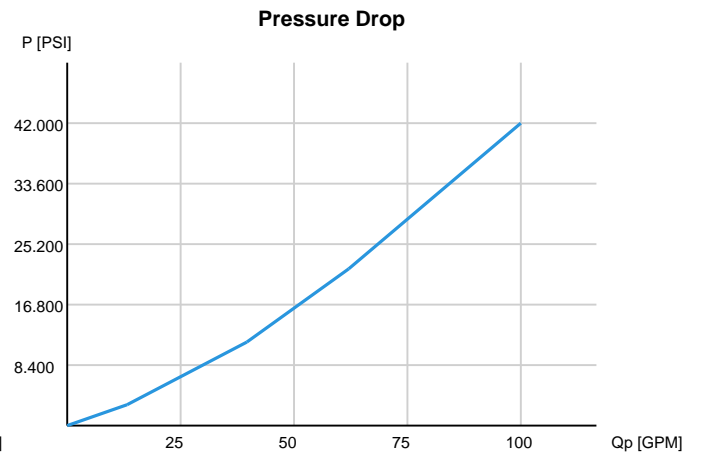
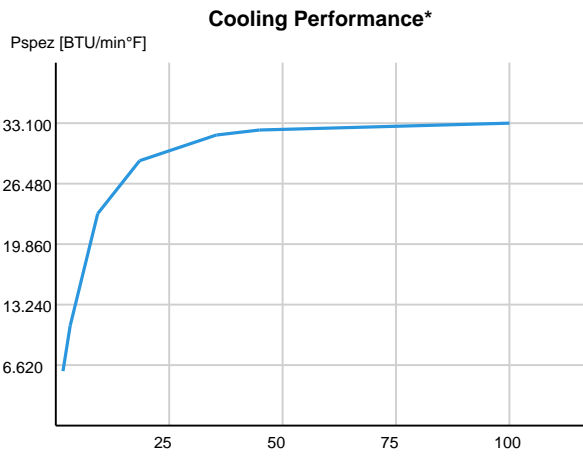


Working pressure (static): 26 bar (370 PSI)
Radiator material: Aluminium

ASA 0367 230/460V (60Hz) (0.75 HP)



A:	-	F:	-
B:	-	G:	-
C:	-	L:	20.8 in
D:	-	W:	-
E:	-		

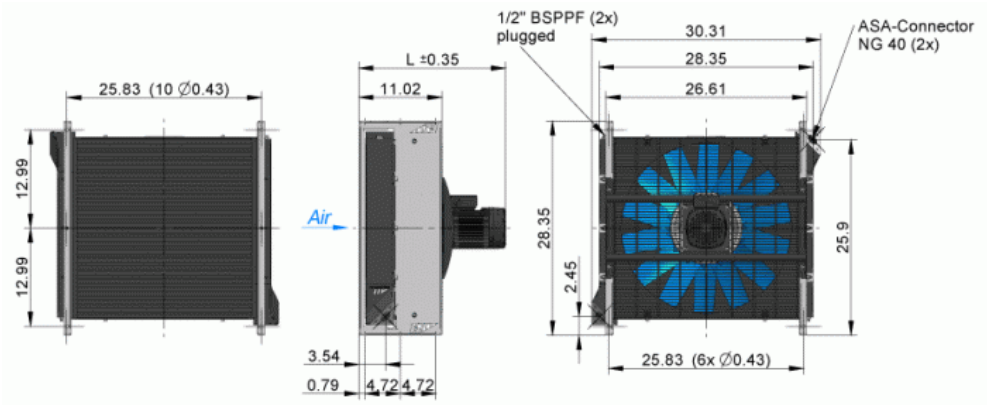


Order Number	Motor Power	Current	Protection Level	Rotation	Air Flow	Noise Level	Weight
ASA0367AA46	0.75 HP	1.25 A	IP 55	1690 RPM	2118 SCFM	82 db(A)	130.9 lbs

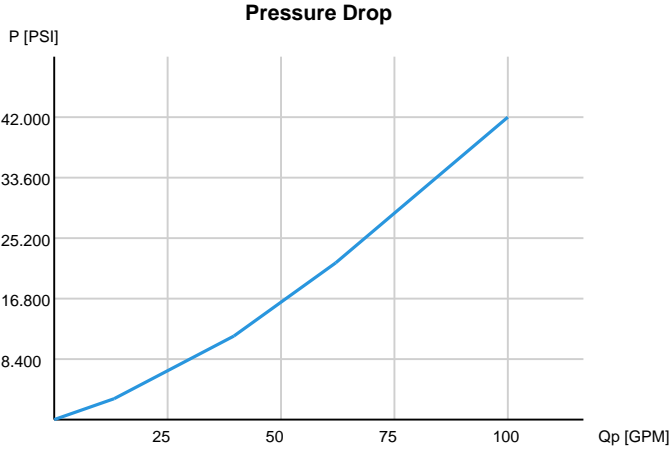
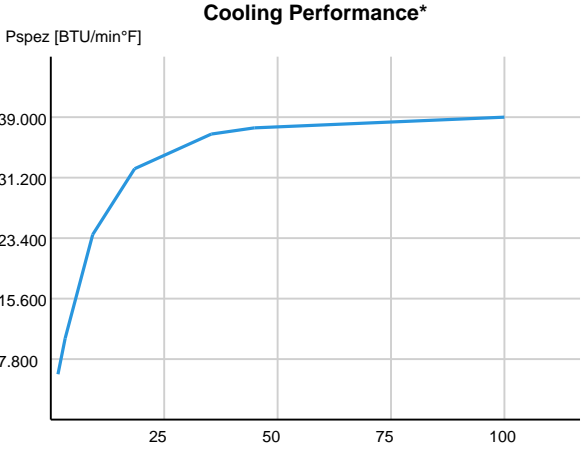


Working pressure (static): 26 bar (370 PSI)
Radiator material: Aluminium

ASA 0367 230/460V (60Hz) (1.5 HP)



A:	-	F:	-
B:	-	G:	-
C:	-	L:	22 in
D:	-	W:	-
E:	-		



Order Number	Motor Power	Current	Protection Level	Rotation	Air Flow	Noise Level	Weight
ASA0367AA48	1.5 HP	2.3 A	IP 55	1740 RPM	2884 SCFM	86 db(A)	141.02 lbs



Working pressure (static): 26 bar (370 PSI)
Radiator material: Aluminium

*Note – Cooling Performance

The cooling performance mentioned in this homepage is conservative and measured at a test bench according to asa test procedures with oil type ISO VG 46 and presents a bases for your cooler selection regarding required cooling performance. Because there is no standard test procedure, tests used by other manufacturers might have different results. Due to different environment conditions the cooling performance can vary by +/- 15%.

Therefore we recommend all coolers be checked under the system operating conditions. This is also true for vibrations and mechanical stress as well as for pressure peaks and thermal stress.

General tolerance according to DIN 2768-g.

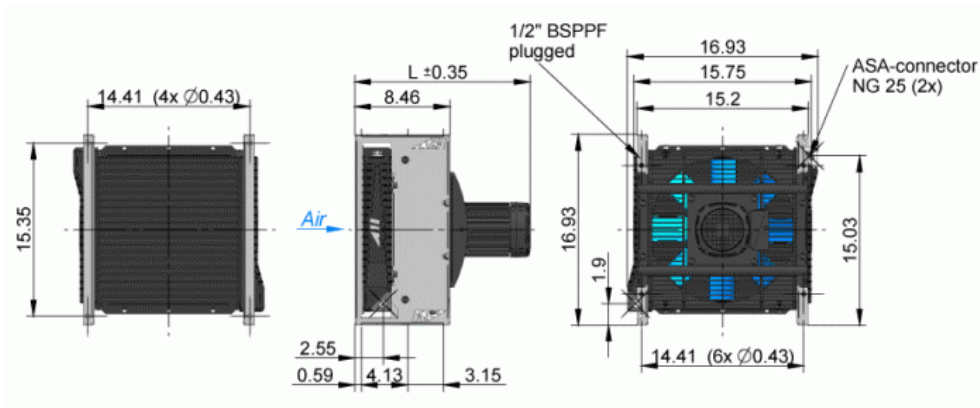
The information contained in this homepage is intended to be used as a guideline only. Customers should always confirm the suitability of the information and these products in their particular applications. ASA assumes no liability for any errors, commissions or misprints and reserves the right to change products and details without prior notification. As we are constantly improving our products, the characteristics, dimensions and weights can also change, although we do our best to incorporate these changes continually.

asa hydraulik of America Inc.
160 Meister Avenue #20A
Branchburg, NJ 08876

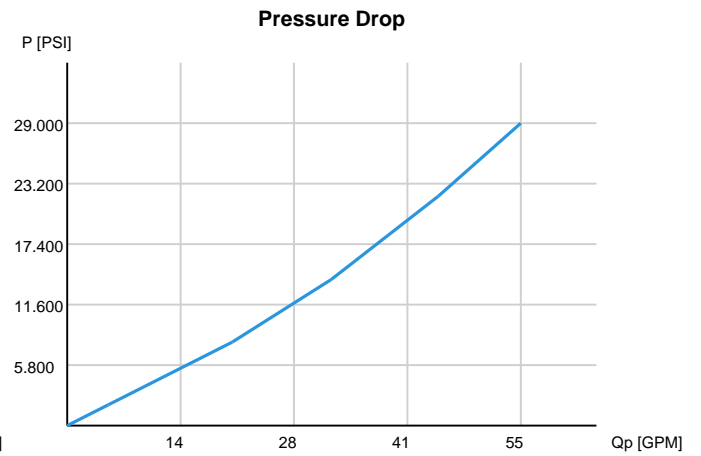
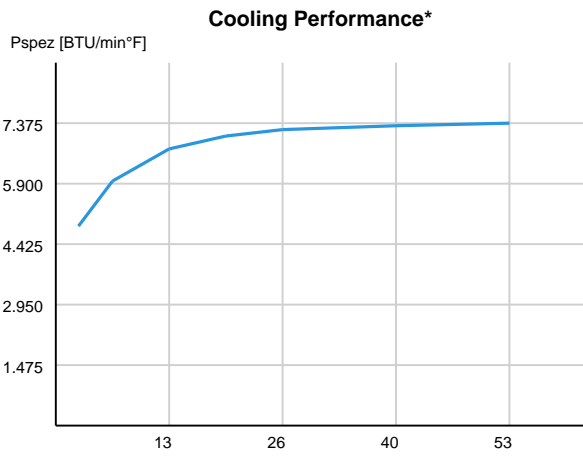
Tel.: 800-473-9400
Fax: 908-541-1550

sales_US@asahydraulik.com
www.asahydraulik.com

ASA 0115 230/460V (60Hz) (0.33 HP)



A:	-	F:	-
B:	-	G:	-
C:	-	L:	16.9 in
D:	-	W:	-
E:	-		

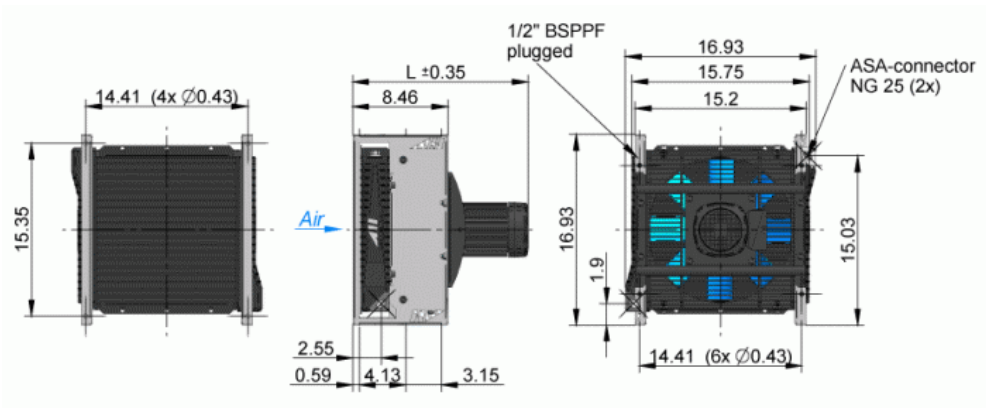


Order Number	Motor Power	Current	Protection Level	Rotation	Air Flow	Noise Level	Weight
ASA0115AA44	0.33 HP	0.7 A	IP 55	1700 RPM	880 SCFM	79 db(A)	56 lbs

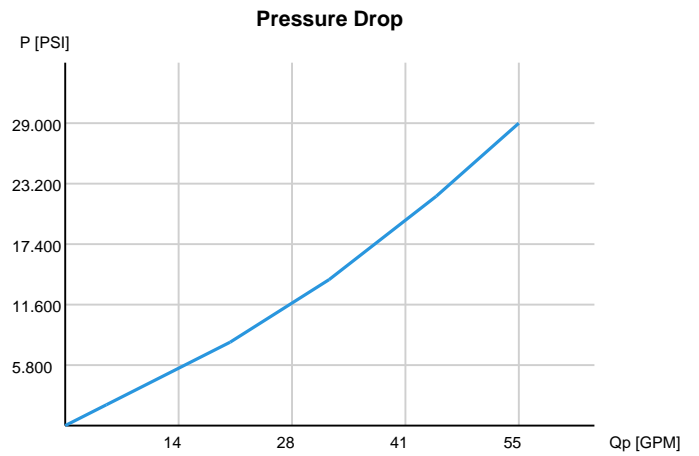
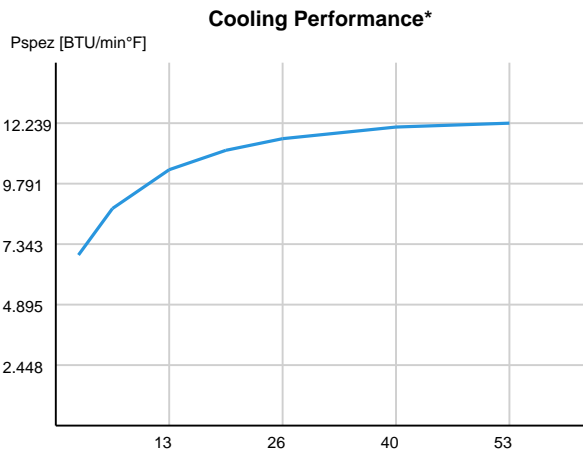


Working pressure (static): 26 bar (370 PSI)
Radiator material: Aluminium

ASA 0115 230/460V (60Hz) (1.5 HP)



A:	-	F:	-
B:	-	G:	-
C:	-	L:	18.2 in
D:	-	W:	-
E:	-		



Order Number	Motor Power	Current	Protection Level	Rotation	Air Flow	Noise Level	Weight
ASA0115AA27	1.5 HP	2 A	IP 55	3450 RPM	1860 SCFM	87 db(A)	70 lbs



Working pressure (static): 26 bar (370 PSI)
Radiator material: Aluminium

***Note – Cooling Performance**

The cooling performance mentioned in this homepage is conservative and measured at a test bench according to asa test procedures with oil type ISO VG 46 and presents a bases for your cooler selection regarding required cooling performance. Because there is no standard test procedure, tests used by other manufacturers might have different results. Due to different environment conditions the cooling performance can vary by +/- 15%.

Therefore we recommend all coolers be checked under the system operating conditions. This is also true for vibrations and mechanical stress as well as for pressure peaks and thermal stress.

General tolerance according to DIN 2768-g.

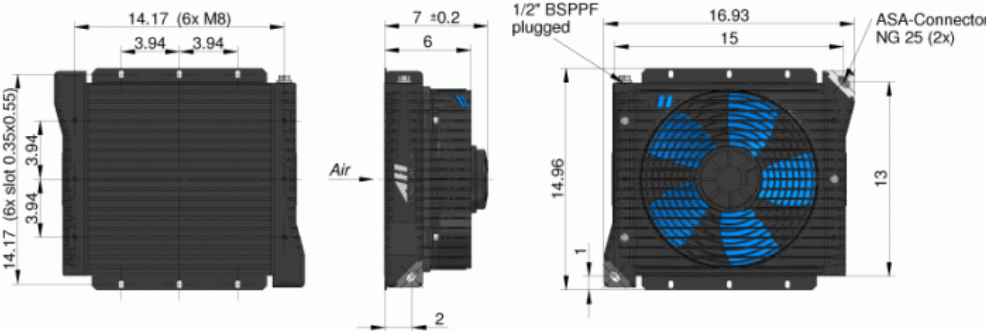
The information contained in this homepage is intended to be used as a guideline only. Customers should always confirm the suitability of the information and these products in their particular applications. ASA assumes no liability for any errors, commissions or misprints and reserves the right to change products and details without prior notification. As we are constantly improving our products, the characteristics, dimensions and weights can also change, although we do our best to incorporate these changes continually.

asa hydraulik of America Inc.
160 Meister Avenue #20A
Branchburg, NJ 08876

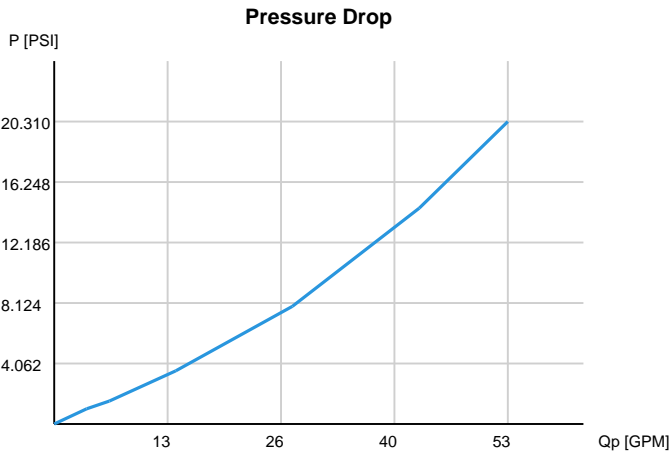
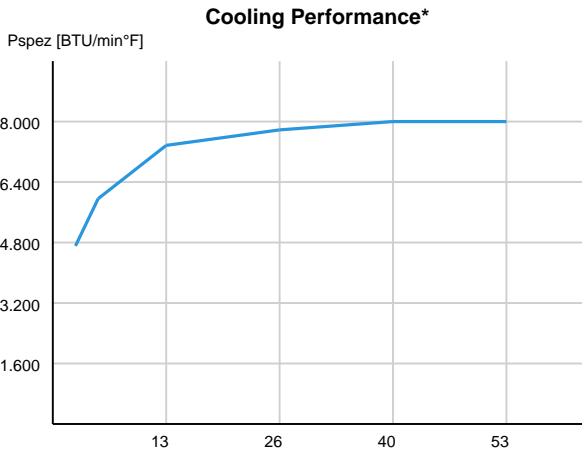
Tel.: 800-473-9400
Fax: 908-541-1550

sales_US@asahydraulik.com
www.asahydraulik.com

ASA 0115 12V DC (0.34 HP)



- A: - F: -
- B: - G: -
- C: - L: -
- D: - W: -
- E: -

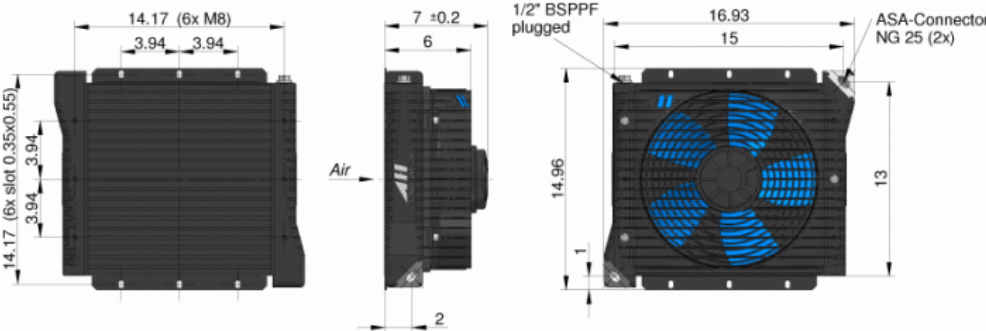


Order Number	Motor Power	Current	Protection Level	Rotation	Air Flow	Noise Level	Weight
ASA0115AD01	0.34 HP	19.4 A	IP 68	2850 RPM	1094.3 SCFM	79 db(A)	27.06 lbs

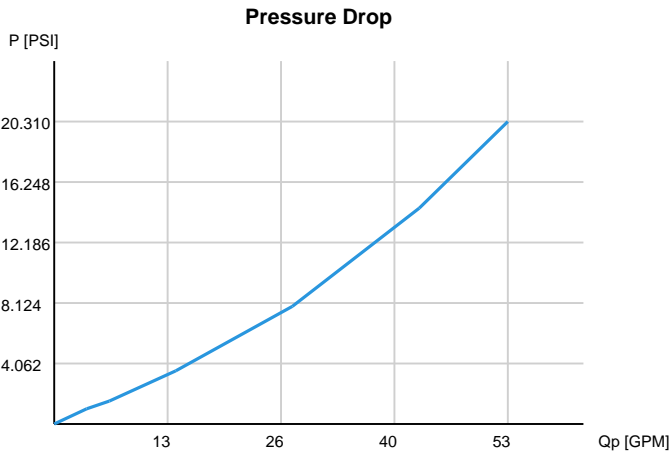
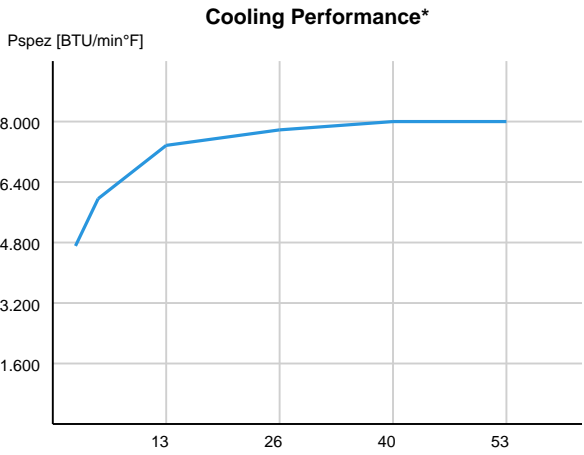


Working pressure (static): 26 bar (370 PSI)
Radiator material: Aluminium

ASA 0115 24V DC (0.34 HP)



- A: - F: -
- B: - G: -
- C: - L: -
- D: - W: -
- E: -



Order Number	Motor Power	Current	Protection Level	Rotation	Air Flow	Noise Level	Weight
ASA0115AD02	0.34 HP	9.7 A	IP 68	2850 RPM	1094.3 SCFM	79 db(A)	27.06 lbs



Working pressure (static): 26 bar (370 PSI)
Radiator material: Aluminium

***Note – Cooling Performance**

The cooling performance mentioned in this homepage is conservative and measured at a test bench according to asa test procedures with oil type ISO VG 46 and presents a bases for your cooler selection regarding required cooling performance. Because there is no standard test procedure, tests used by other manufacturers might have different results. Due to different environment conditions the cooling performance can vary by +/- 15%.

Therefore we recommend all coolers be checked under the system operating conditions. This is also true for vibrations and mechanical stress as well as for pressure peaks and thermal stress.

General tolerance according to DIN 2768-g.

The information contained in this homepage is intended to be used as a guideline only. Customers should always confirm the suitability of the information and these products in their particular applications. ASA assumes no liability for any errors, commissions or misprints and reserves the right to change products and details without prior notification. As we are constantly improving our products, the characteristics, dimensions and weights can also change, although we do our best to incorporate these changes continually.

asa hydraulik of America Inc.
160 Meister Avenue #20A
Branchburg, NJ 08876

Tel.: 800-473-9400
Fax: 908-541-1550

sales_US@asahydraulik.com
www.asahydraulik.com