

Hand Pumps

- P350, P1000 and P2001 feature 2 speed operation
- Pressure relief valve for overload protection
- Load release valve for single acting cylinder usage
- Large oil capacities to power a wide range of cylinders and tools
- P350 and P1000 are constructed of high strength lightweight aluminum alloy for easy handling and corrosion resistance
- All hand pumps function in horizontal positions and will also function in some vertical positions
- Maximum working pressure: 10,000 psi / 700 bar



P350

Accessories



Cylinder Set



Fitting



Gauge



Hose

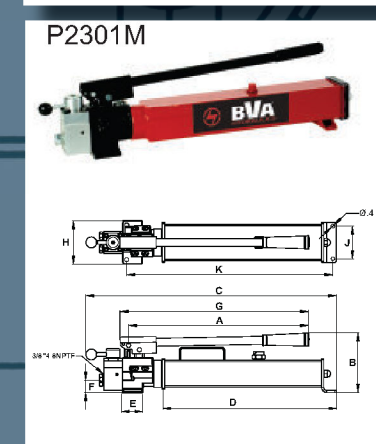
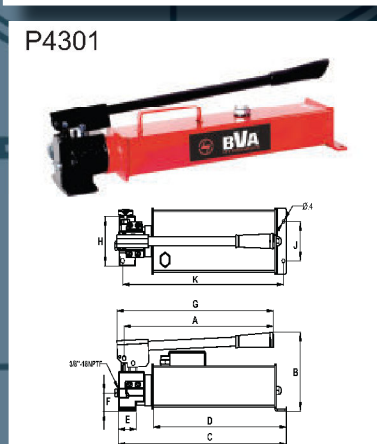
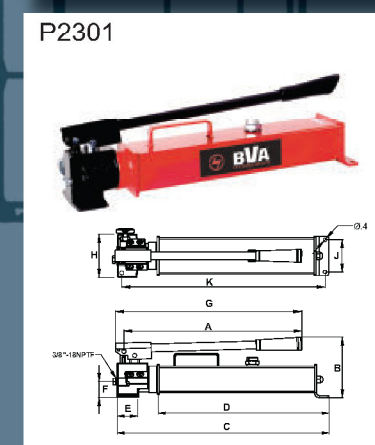
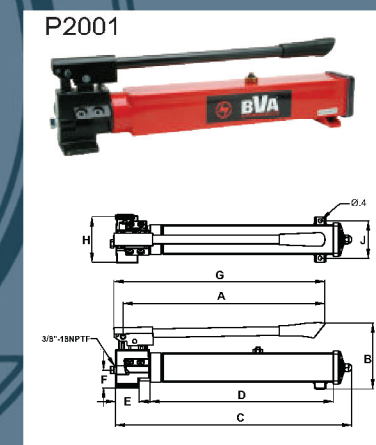
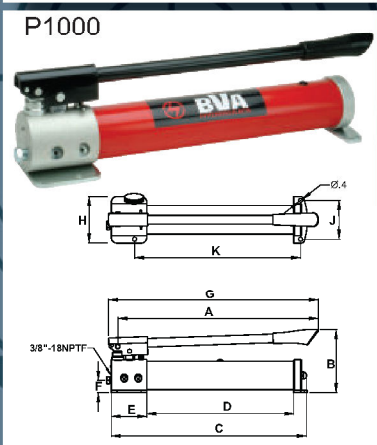
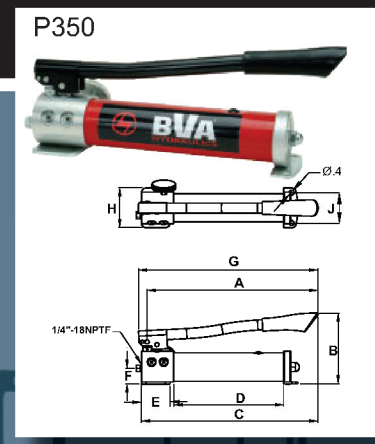
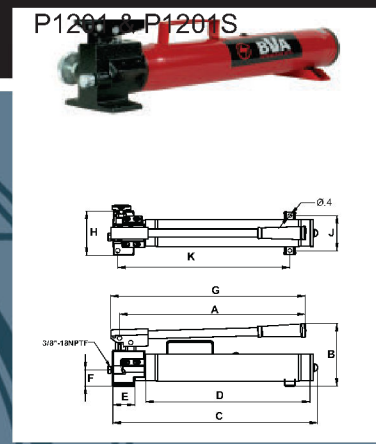
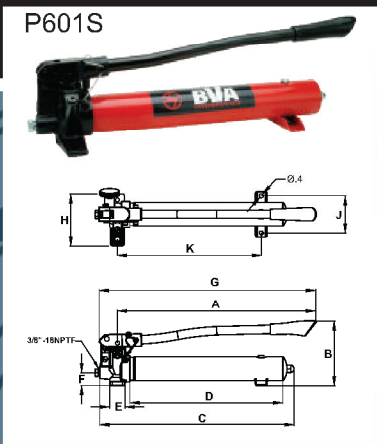


Towbars are used by aircraft ground support for private planes, commercial and heavy aircraft



Hand pump can be used in a variety of industrial settings

Used with Cylinder	Pump Type	Usable Oil Capacity	Model Number	Pressure Rating		Oil Displacement per Stroke		Max. Operating Force	Piston Stroke	Oil Outlet Port	Weight					
				(psi)		(in ³)										
		(in ³)		1st Stage	2nd Stage	1st Stage	2nd Stage				(lbs)	(in)	(lbs)			
Single Acting	Single-speed	36.5	P601S	200	10,000	0.81	0.14	132	0.82	3/8"-18NPTF	13.0					
		67.0	P1201S								20.0					
	Two-speed	21.4	P350								0.18	0.05	88	0.38	1/4"-18NPTF	6.6
		61.0	P1000								7.71	0.29	85	1.69	3/8"-18NPTF	13.2
		67.0	P1201													20.3
		122.0	P2001													20.9
		128.0	P2301													27.5
		250.0	P4301													32.2
476.0	P8701	290	290	290	290	90.8										
Double Acting	Two-speed	128.0	P2301M	200	200	200	200	200	200	37.4						
		476.0	P8701M	290	290	290	290	290	290	90.8						



Model Number	Dimensions (in)									
	A	B	C	D	E	F	G	H	J	K
P601S	18.94	6.46	19.53	15.35	1.57	1.26	20.79	5.20	3.74	14.45
P1201S	19.75	6.64	21.95	16.63	2.36	1.73	20.71	4.72	3.74	18.27
P350	13.43	5.91	13.89	9.09	2.36	1.34	14.13	3.35	2.56	-
P1000	19.69	6.38	19.88	14.96	3.62	1.26	20.63	4.72	3.94	16.93
P1201	19.75	6.64	21.95	16.63	2.36	1.73	20.71	4.72	3.74	18.27
P2001	19.75	6.54	23.86	18.54	2.36	2.01	20.71	4.82	2.56	-
P2301	19.75	6.64	23.69	18.37	2.36	1.73	20.71	4.72	3.54	22.56
P4301	19.91	7.56	22.62	17.30	2.36	1.73	20.87	4.72	3.74	21.46
P8701	25.79	11.61	30.35	11.54	24.17	8.25	26.94	15.24	11.18	-
P2301M	19.75	6.64	23.69	18.37	2.36	1.73	20.71	4.72	3.54	22.56
P8701M	25.79	11.61	30.35	11.54	24.17	8.25	26.94	15.24	11.18	-