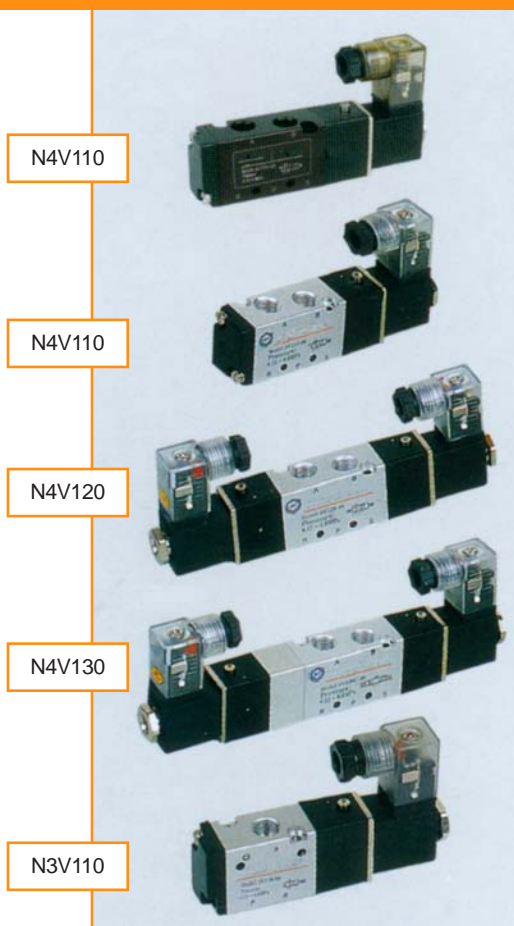


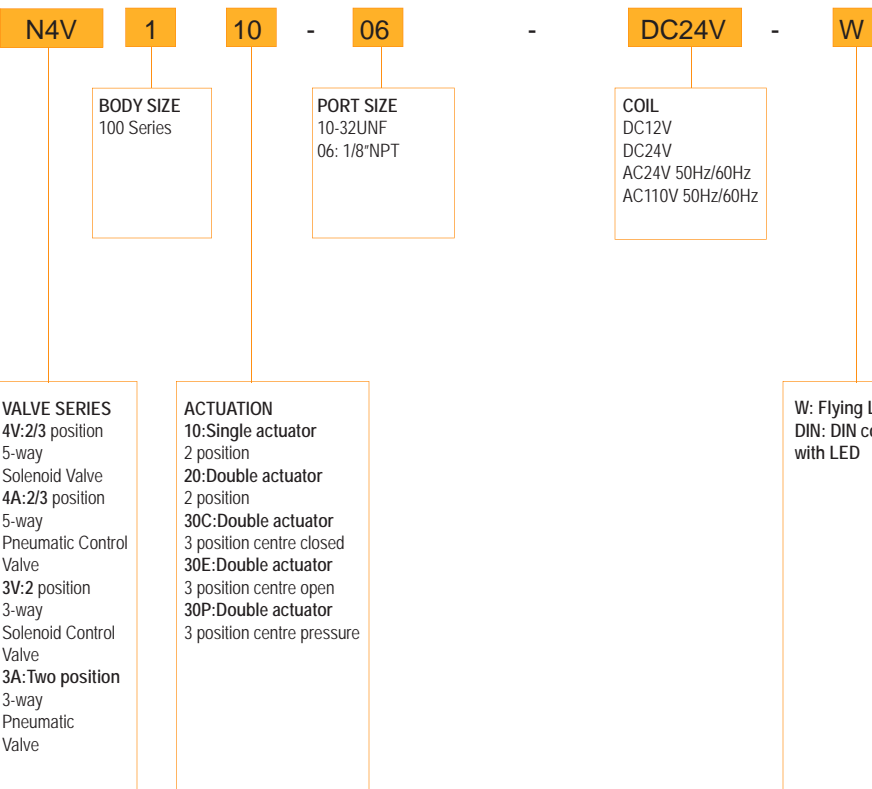
VALVES



For our complete valves range with current prices please visit pneuforce.com



ORDERING CODE



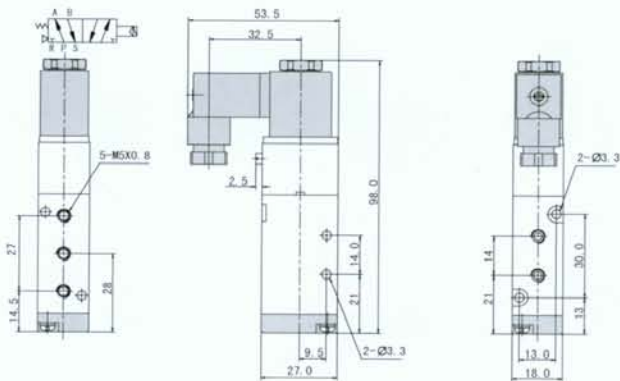
100 Series Solenoid Valve, Pneumatic Control Valve

SPECIFICATION

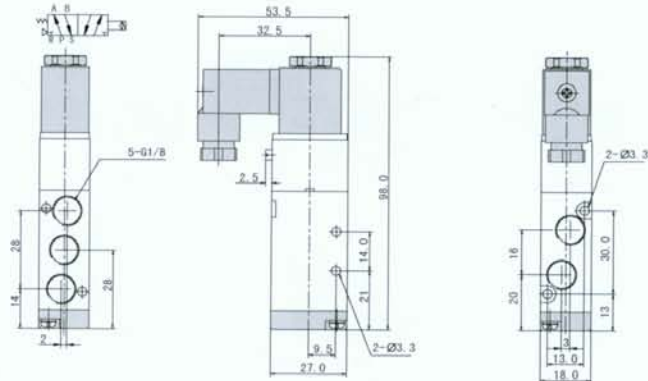
Part No.	N4V110-M5	N4V120-M5	N4V130C-M5	N4V130E-M5	N4V130P-M5	N4V110C-06	N4V120C-06	N4V130C-06	N4V130E-06	N4V130P-06
	N4A110-M5	N4A120-M5	N4A130C-M5	N4A130E-M5	N4A130P-M5	N4A110C-06	N4A120C-06	N4A130C-06	N4A130E-06	N4A130P-06
Valve type	Two-position Five-way		Three-position Five way			Two-position Five way		Three-position Five way		
Effective Sec. Area	10mm ² (CV=0.56)		7mm ² (CV=0.40)			12mm ² (CV=0.67)		9mm ² (CV=0.5)		
Part No.	N3V110-M5	N3V120-M5	N3A110-M5	N3A120-M5		N3V110-06	N3V120-06	N3A110-06	N3A120-06	
Valve type	Two-position Three-way					Two-position Three-way				
Effective Sec. Area	10mm ² (CV=0.56)					12mm ² (CV=0.67)				
Port Size	10-32UNF Air Inlet=Air outlet=Exhaust=10-32UNF					Air Inlet=Air outlet=Exhaust=1/8NPT				
Medium	40 Micron Filtered Air									
Working Pressure	22psi-120psi									
Supply Pressure	180psi									
Oper. temp.	41-122°F									
Volt. Range	± 10%									
Power Cons.	AC: 2.8VA DC:2.8W									
Insulation & Protec. Class	F/ IP65 / F Class IP65									
Coil Connect.	Flying Lead or DIN Connector									
Oper. Cycle	5 Cycle / Sec									
Actuation time	0.05 / 0.05 Second									

OVERALL DIMENSIONS

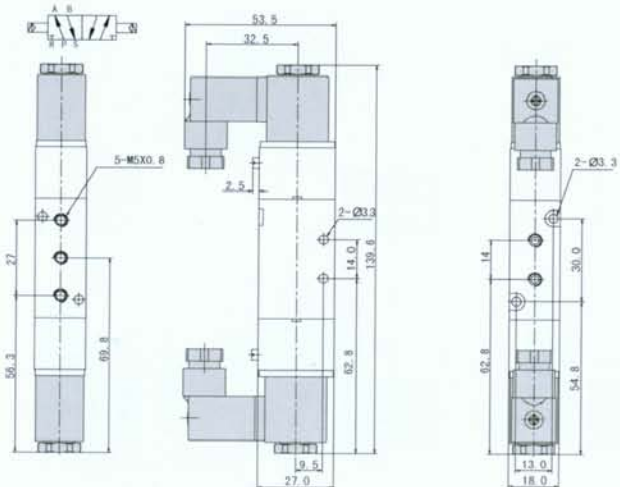
TYPE: N4V110-M5



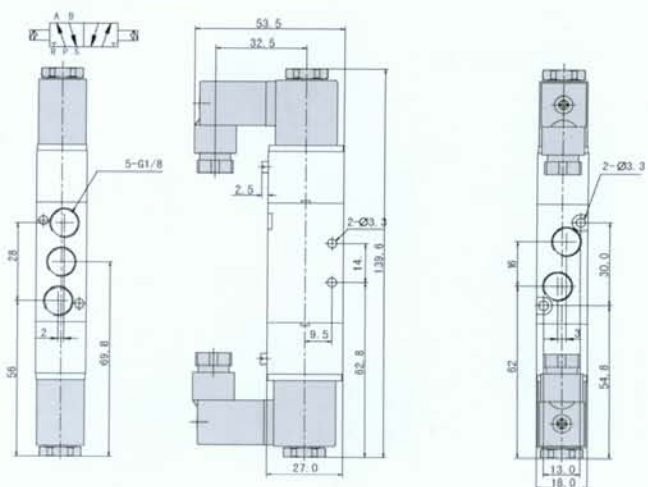
TYPE: N4V110-06



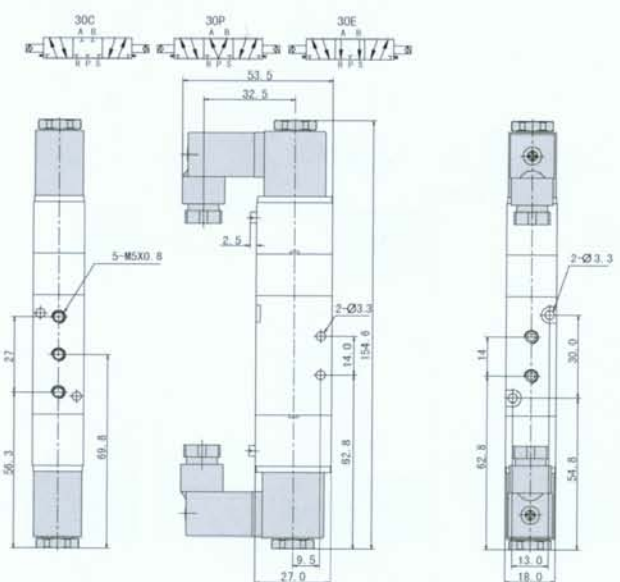
TYPE: N4V120-M5



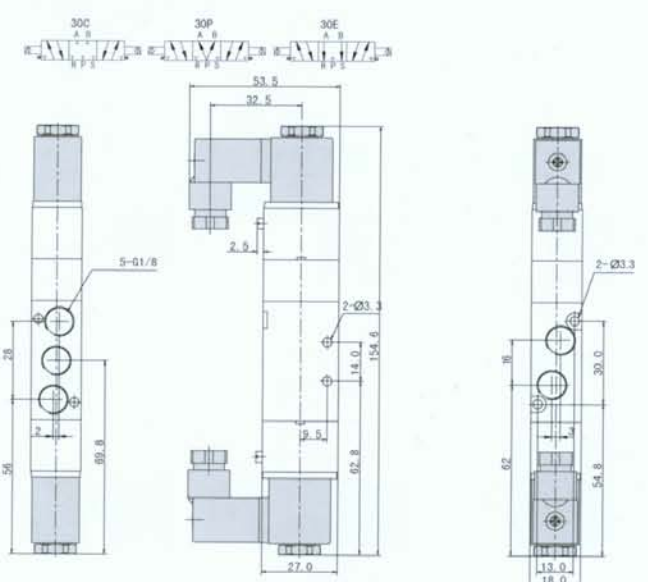
TYPE: N4V120-06



TYPE: N4V130-M5

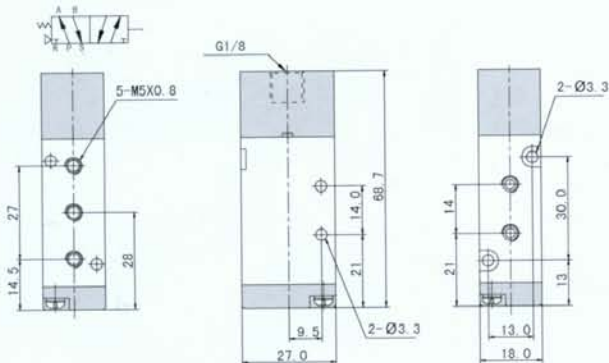


TYPE: N4V130-06

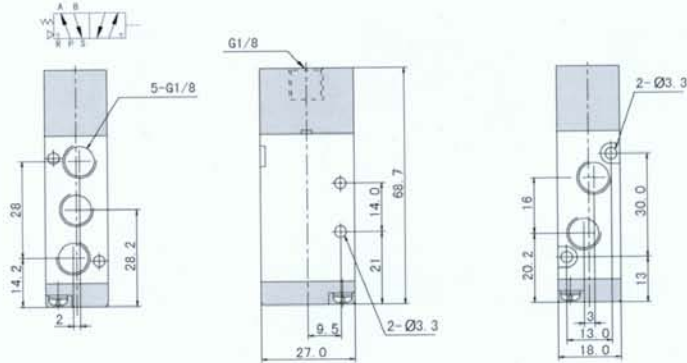


OVERALL DIMENSIONS

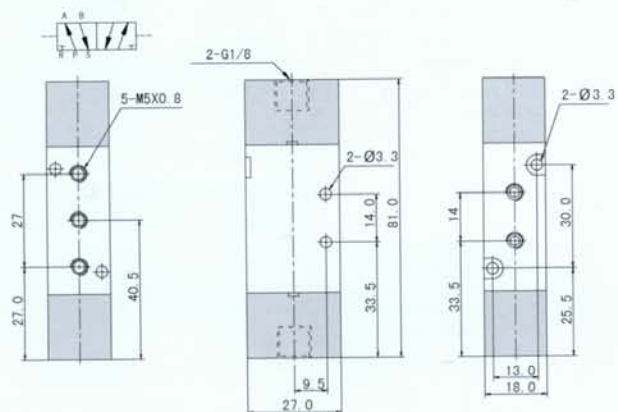
● TYPE: N4A110-M5



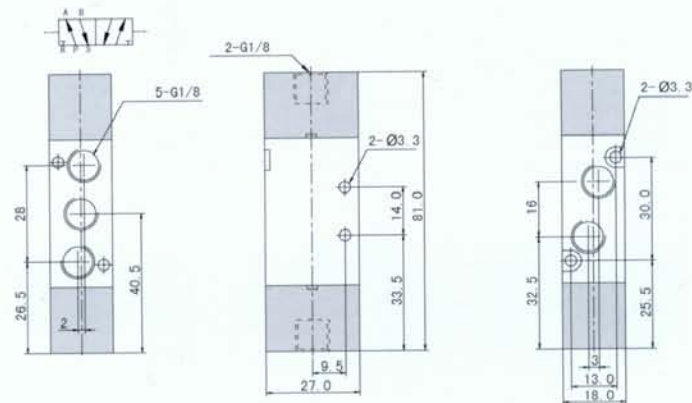
● TYPE: N4A110-06



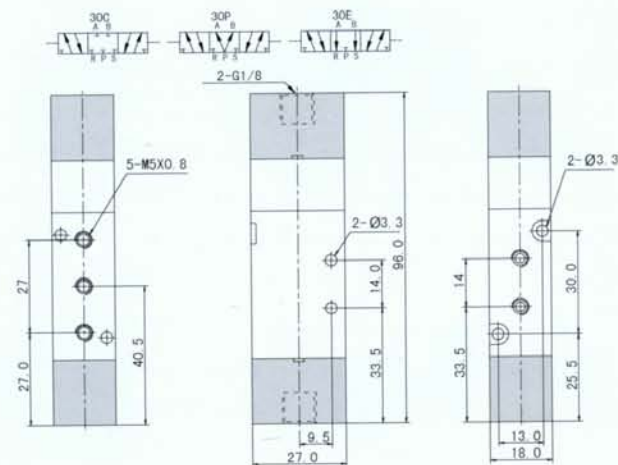
● TYPE: N4A120-M5



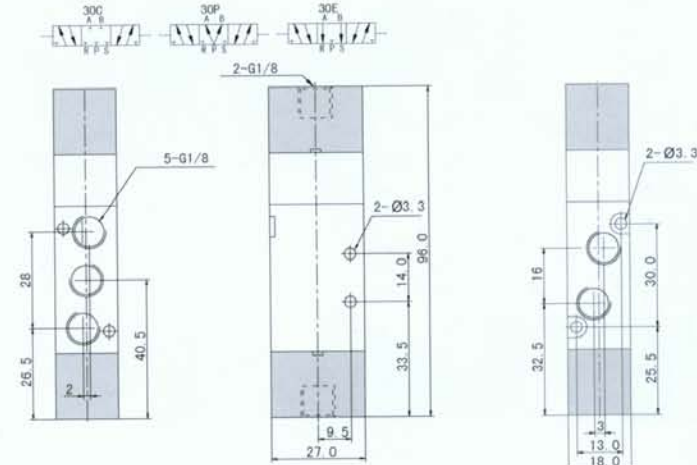
● TYPE: N4V120-06



● TYPE: N4A130-M5

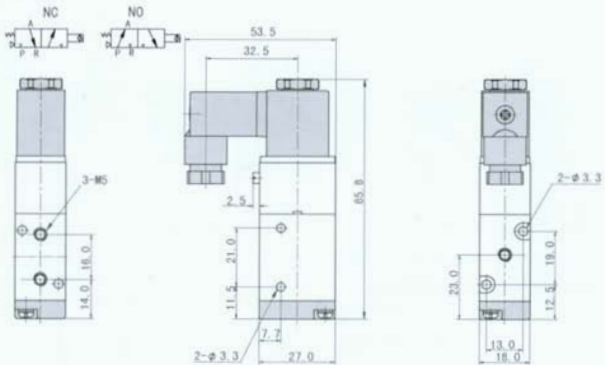


● TYPE: N4A130-06

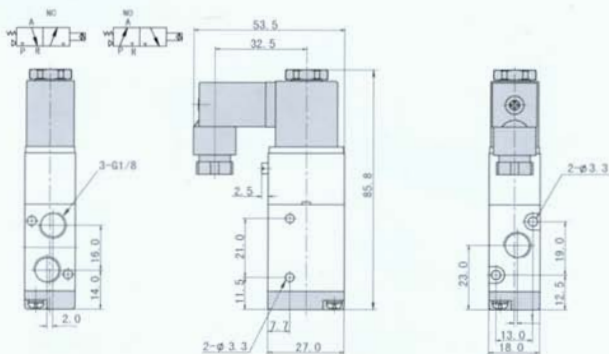


OVERALL DIMENSIONS

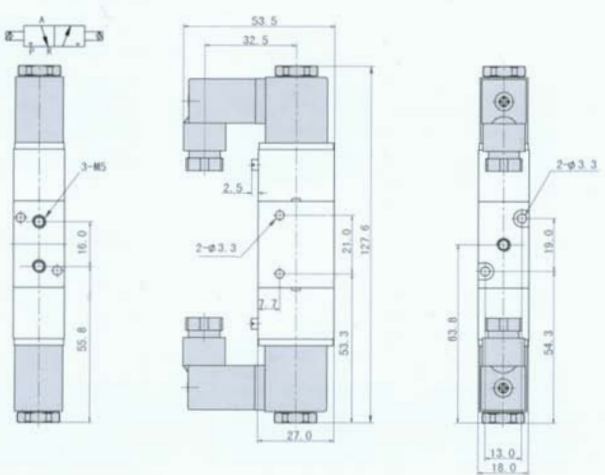
● TYPE: N3V110-M5



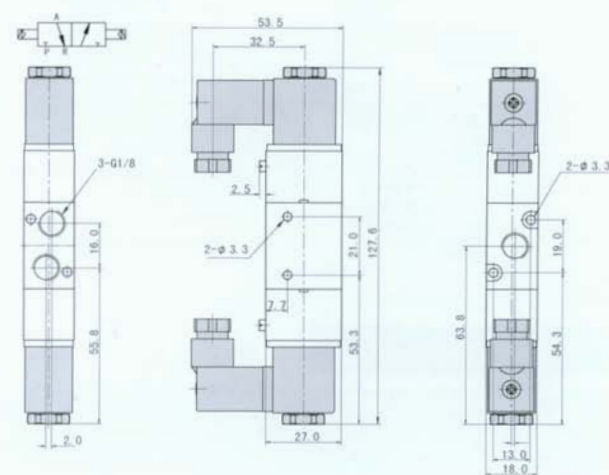
● TYPE: N3V110-06



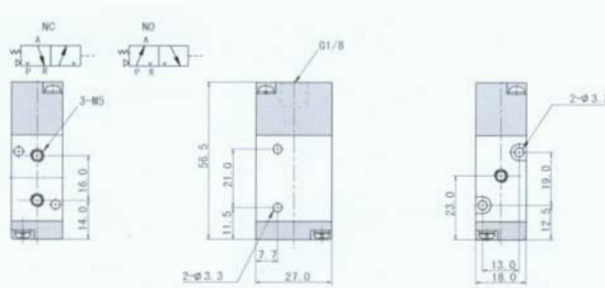
● TYPE: N3V120-M5



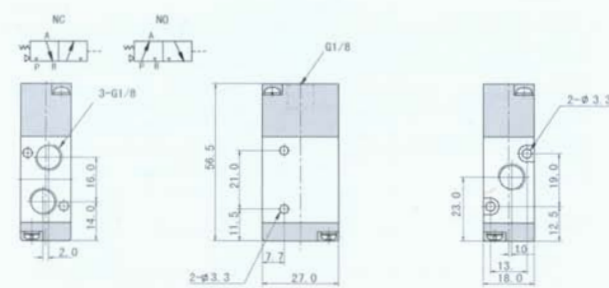
● TYPE: N3V120-06



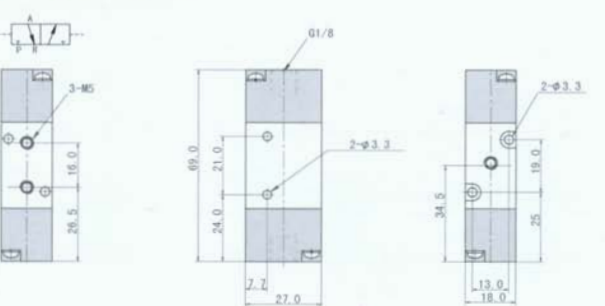
● TYPE: N3A110-M5



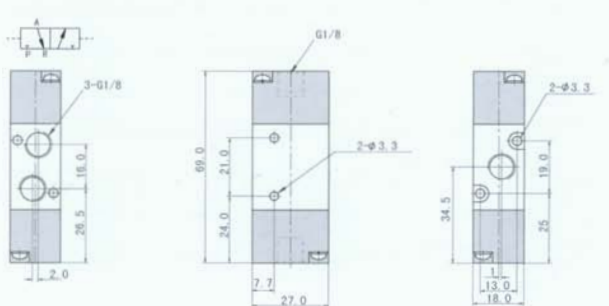
● TYPE: N3A110-06



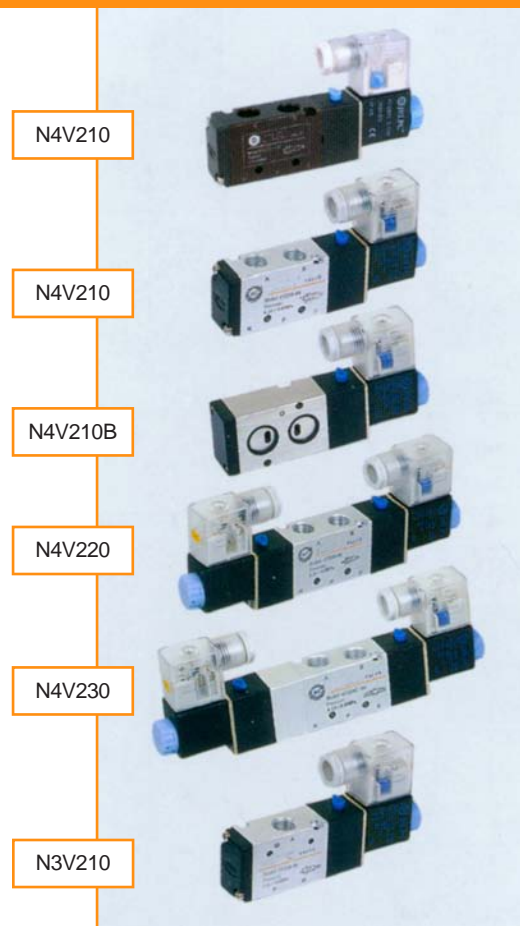
● TYPE: N3A120-M5



● TYPE: N3A120-06



For our complete valves range with current prices please visit pneuforce.com



ORDERING CODE

N4V	2	10	-	08	-	DC24V	-	W
BODY SIZE 100 Series		PORT SIZE M5: M5 x 0.8 O6: 1/8"		COIL DC12V DC24V AC24V 50Hz/60Hz AC110V 50Hz/60Hz			W: Flying Lead 600m DIN: DIN connector with LED	
VALVE SERIES 4V:2/3 position 5-way Solenoid Valve 4A:2/3 position 5-way Pneumatic Control Valve 3V:2 position 3-way Solenoid Control Valve 3A:Two position 3-way Pneumatic Valve		ACTUATION 10:Single actuator 2 position 20:Double actuator 2 position 30C:Double actuator 3 position centre closed 30E:Double actuator 3 position centre open 30P:Double actuator 3 position centre pressure						

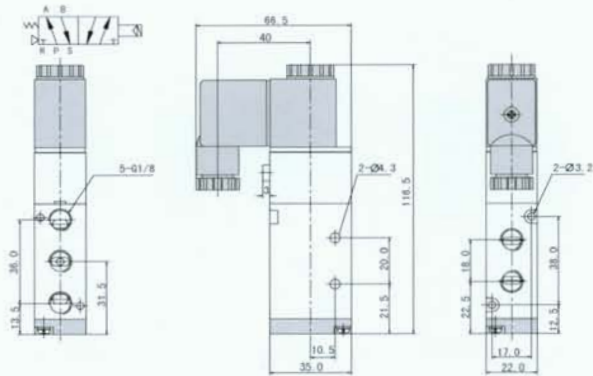
200 Series Solenoid Valve, Pneumatic Control Valve

SPECIFICATION

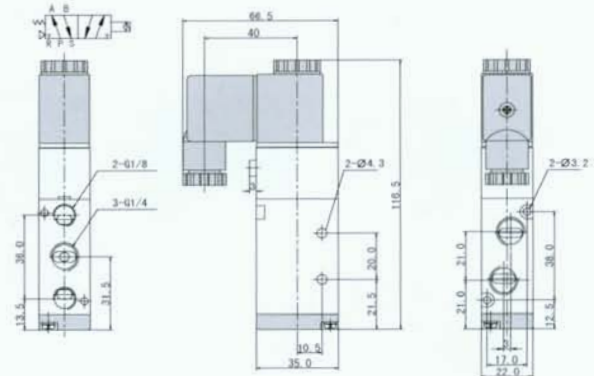
Part No.	N4V210-06	N4V220-06	N4V230C-06	N4V230E-06	N4V230P-06	N4V210-08	N4V220-08	N4V230C-08	N4V230E-08	N4V230P-08
	N4A210-06	N4A220-06	N4A230C-06	N4A230E-06	N4A230P-06	N4A210-08	N4A220-08	N4A230C-08	N4A230E-08	N4A230P-08
Valve type	Two-position Five-way		Three-position Five way			Two-position Five way		Three-position Five way		
Effective Sec. Area	14mm ² (CV=0.78)		12mm ² (CV=0.67)			16mm ² (CV=0.89)		12mm ² (CV=0.67)		
Part No.	N3V210-06	N3V220-06	N3A210-06	N3A220-06		N3V210-08	N3V220-08	N3A210-08	N3A220-08	
Valve type	Two-position Three-way					Two-position Three-way				
Effective Sec. Area	14mm ² (CV=0.78)					16mm ² (CV=0.89)				
Port Size	Air Inlet=Air outlet=Exhaust=1/8"NPT					Air Inlet=Air outlet=1/4"NPT Exhaust=1/8NPT				
Medium	40 Micron Filtered Air									
Working Pressure	22psi-120psi									
Supply Pressure	180psi									
Oper. temp.	41-122°F									
Volt. Range	± 10%									
Power Cons.	AC: 5.5VA DC:4.8W									
Insulation & Protec. Class	F/ IP65 / F Class IP65									
Coil Connect.	Flying Lead or DIN Connector									
Oper. Cycle	5 Cycle / Sec									
Actuation time	0.05 / 0.05 Second									

OVERALL DIMENSIONS

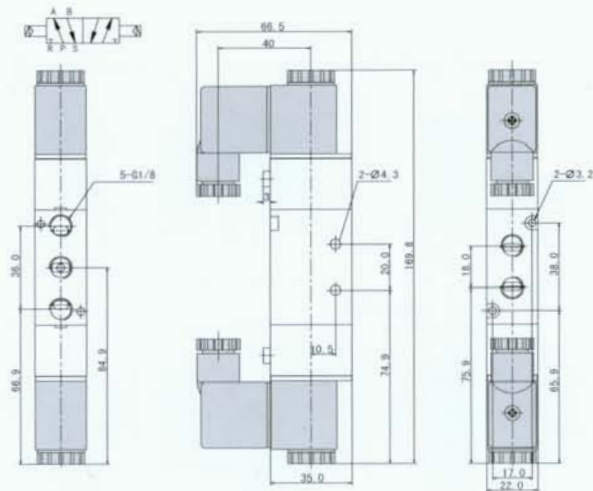
● TYPE: N4V210-06



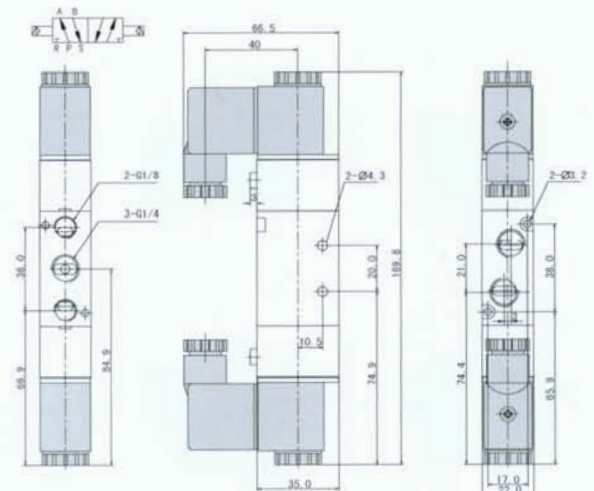
● TYPE: N4V210-08



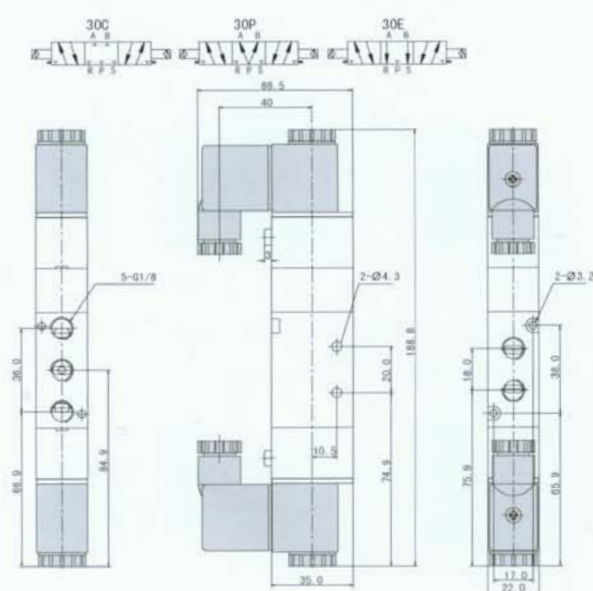
● TYPE: N4V220-06



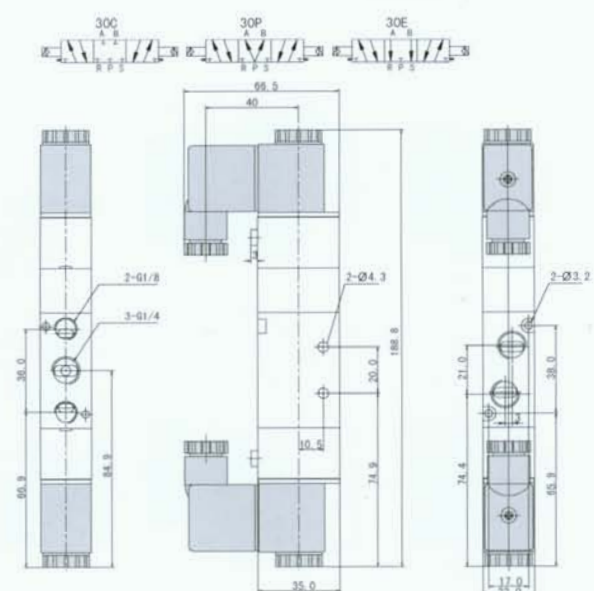
● TYPE: N4V220-08



● TYPE: N4V230-06

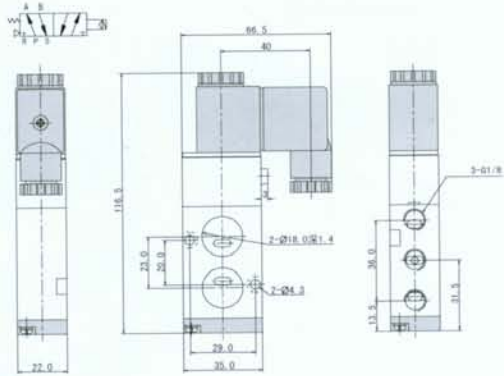


● TYPE: N4V230-08

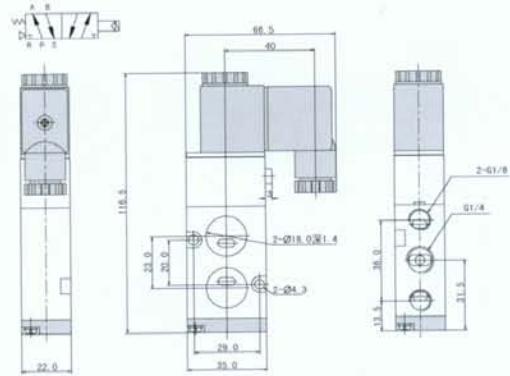


OVERALL DIMENSIONS

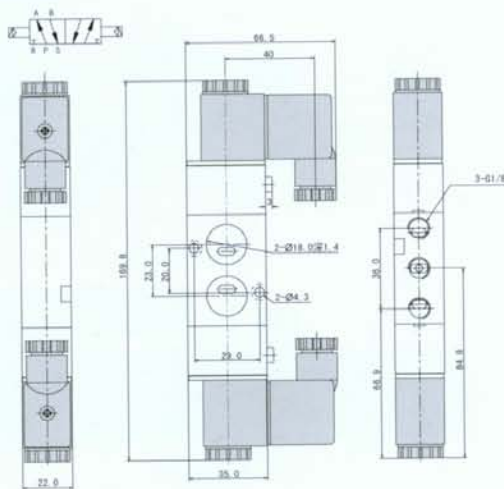
● TYPE: N4V210-06B



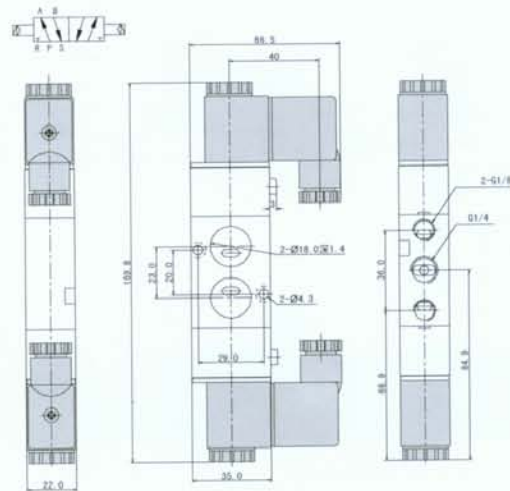
● TYPE: N4V210-08B



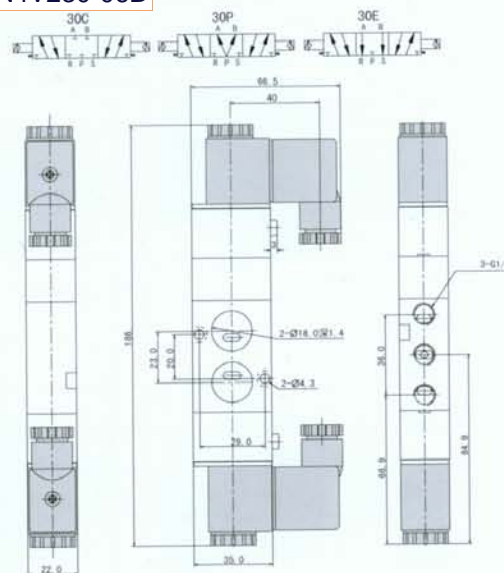
● TYPE: N4V220-06B



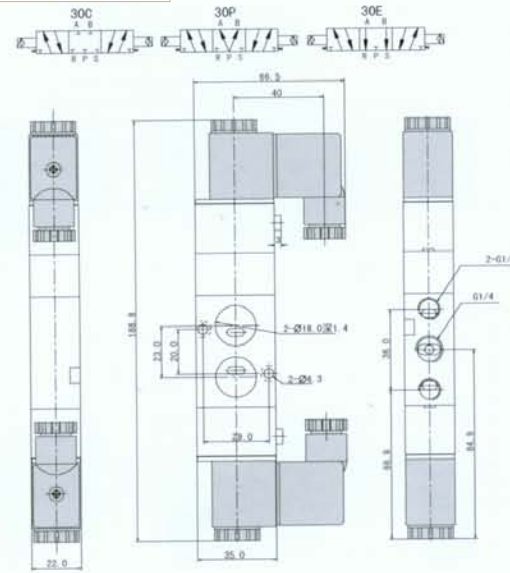
● TYPE: N4V220-08B



● TYPE: N4V230-06B

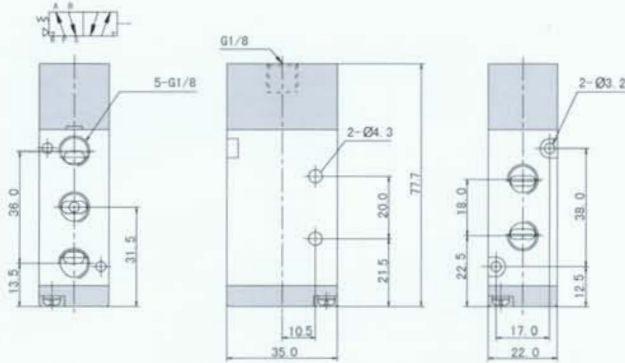


● TYPE: N4V230-08B

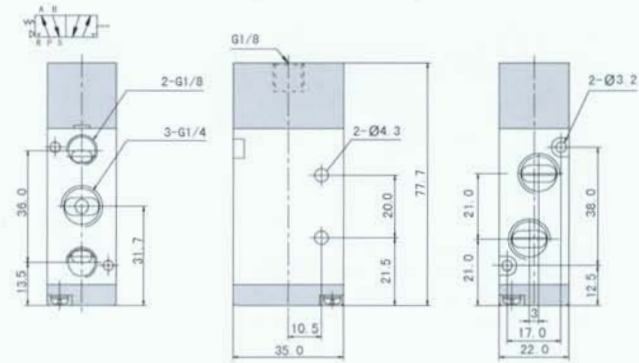


OVERALL DIMENSIONS

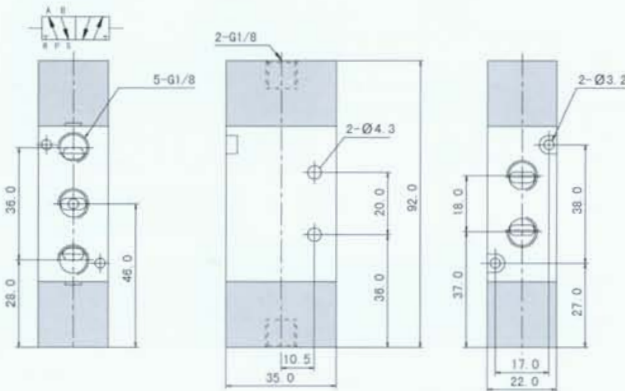
● TYPE: N4A210-06



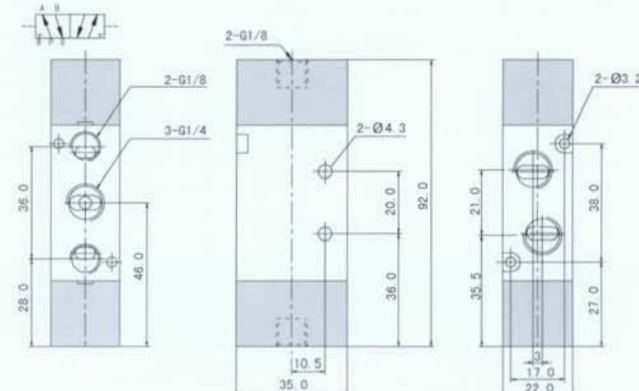
● TYPE: N4A210-08



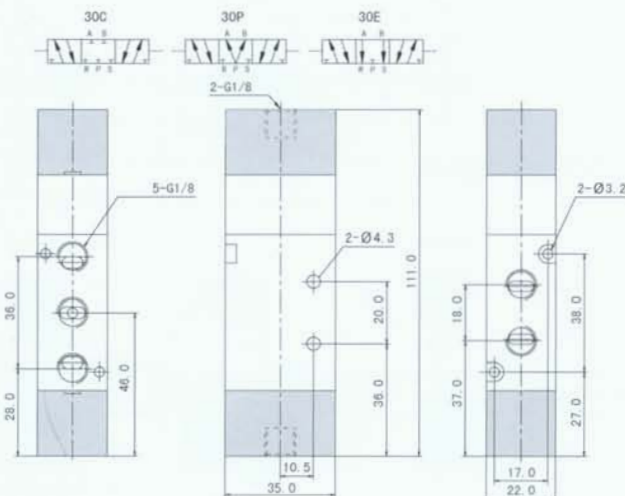
● TYPE: N4A220-06



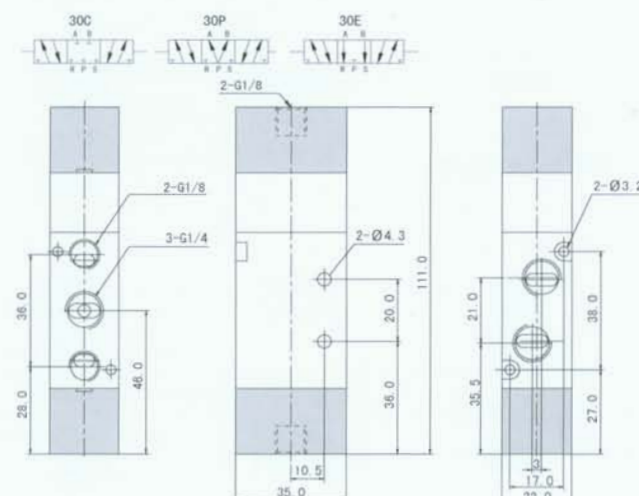
● TYPE: N4A220-08



● TYPE: N4A230-06

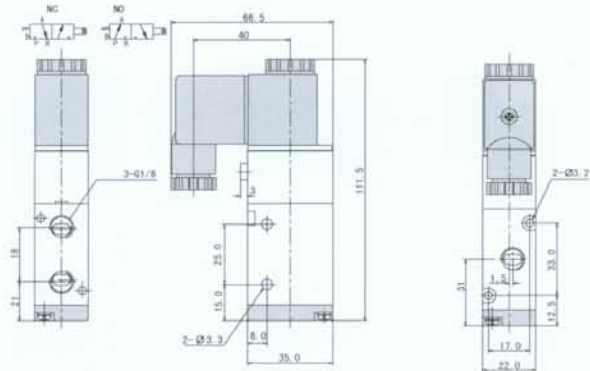


● TYPE: N4A230-08

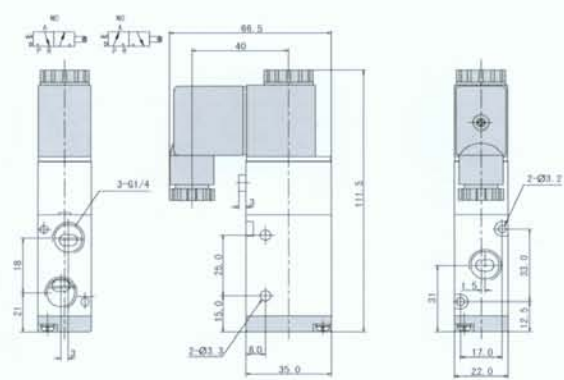


OVERALL DIMENSIONS

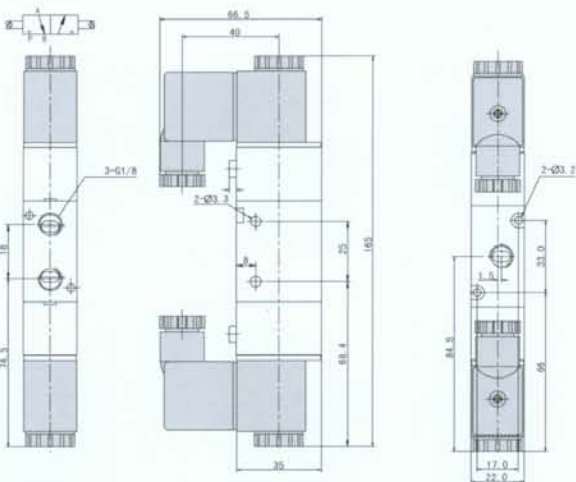
● TYPE: N3V210-06



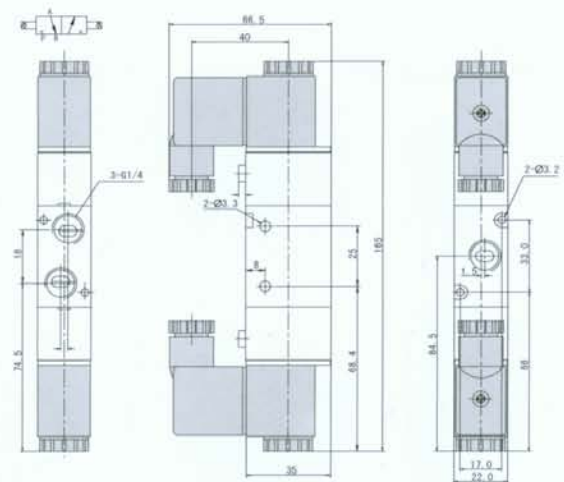
● TYPE: N3V210-08



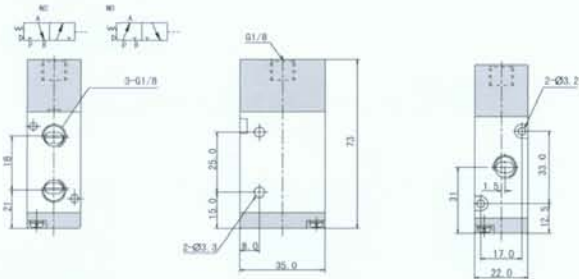
● TYPE: N3V220-06



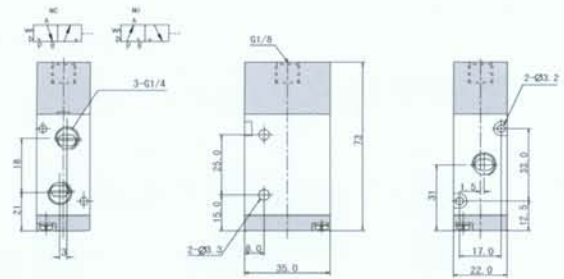
● TYPE: N3V220-08



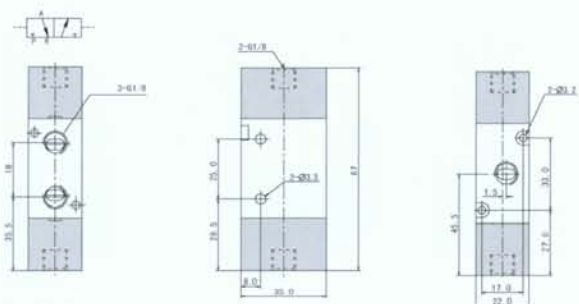
● TYPE: N3A210-06



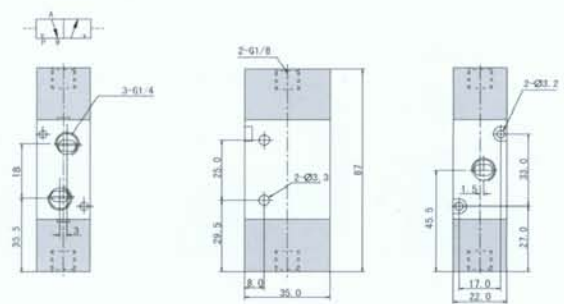
● TYPE: N3A210-08



● TYPE: N3A220-06

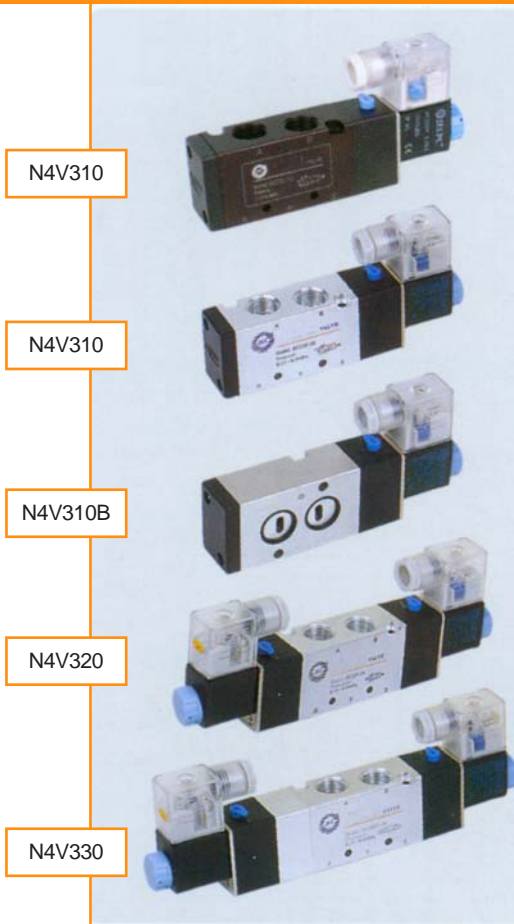


● TYPE: N3A220-08



For our complete valves range with current prices please visit

pneuforce.com



N4V310
N4V310
N4V310B
N4V320
N4V330

ORDERING CODE

N4V **3** **10** - **10** - **DC24V** - **W**

BODY SIZE
100 Series

PORT SIZE
M5: M5 x 0.8
06: 1/8"

COIL
DC12V
DC24V
AC24V 50Hz/60Hz
AC110V 50Hz/60Hz

VALVE SERIES
4V:2/3 position
5-way
Solenoid Valve
4A:2/3 position
5-way
Pneumatic Control
Valve
3V:2 position
3-way
Solenoid Control
Valve
3A:Two position
3-way
Pneumatic
Valve

ACTUATION
10:Single actuator
2 position
20:Double actuator
2 position
30C:Double actuator
3 position centre closed
30E:Double actuator
3 position centre open
30P:Double actuator
3 position centre pressure

W: Flying Lead 600m
DIN: DIN connector
with LED

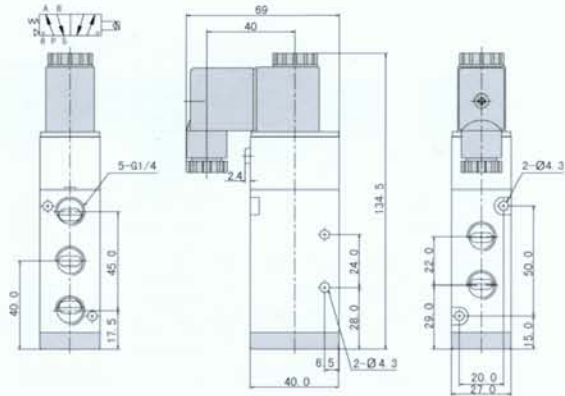
300 Series Solenoid Valve, Pneumatic Control Valve

SPECIFICATION

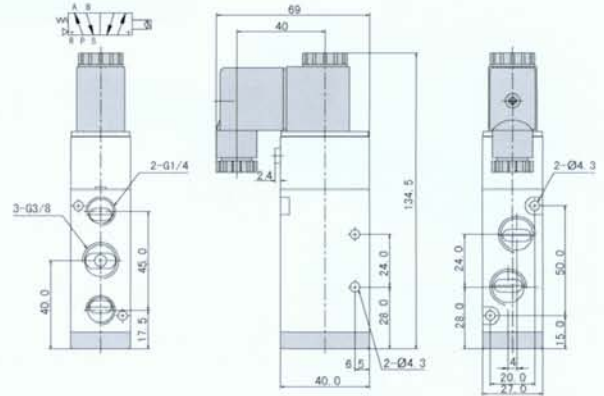
Part No.	N4V310-08	N4V320-08	N4V330C-08	N4V330E-08	N4V330P-08	N4V310-10	N4V320-10	N4V330C-10	N4V330E-10	N4V330P-10
	N4A310-08	N4A320-08	N4A330C-08	N4A330E-08	N4A330P-08	N4A310-10	N4A320-10	N4A330C-10	N4A330E-10	N4A330P-10
Valve type	Two-position Five-way		Three-position Five way			Two-position Five way		Three-position Five way		
Effective Sec. Area	25mm ² (CV=1.40)		18mm ² (CV=1.00)			30mm ² (CV=1.68)		18mm ² (CV=1.00)		
Part No.	N3V310-08	N3V320-08	N3A310-08	N3A320-08		N3V310-10	N3V220-08	N3V320-10	N3A310-10	N3A320-10
Valve type	Two-position Three-way					Two-position Three-way				
Effective Sec. Area	25mm ² (CV=1.40)					30mm ² (CV=1.68)				
Port Size	Air Inlet=Air outlet=Exhaust=1/4"NPT					Air Inlet=Air outlet=3/8"NPT Exhaust=1/4NPT				
Medium	40 Micron Filtered Air									
Working Pressure	22psi-120psi									
Supply Pressure	180psi									
Oper. temp.	41-122°F									
Volt. Range	± 10%									
Power Cons.	AC: 5.5VA DC:4.8W									
Insulation & Protec. Class	F/ IP65 / F Class IP65									
Coil Connect.	Flying Lead or DIN Connector									
Oper. Cycle	5 Cycle / Sec									
Actuation time	0.05 / 0.05 Second									

OVERALL DIMENSIONS

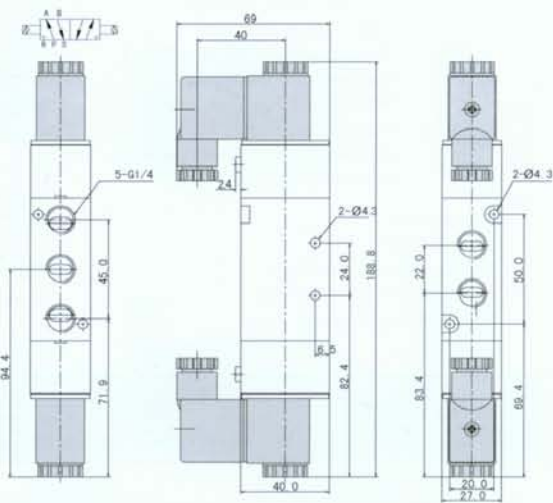
● TYPE: N4V310-08



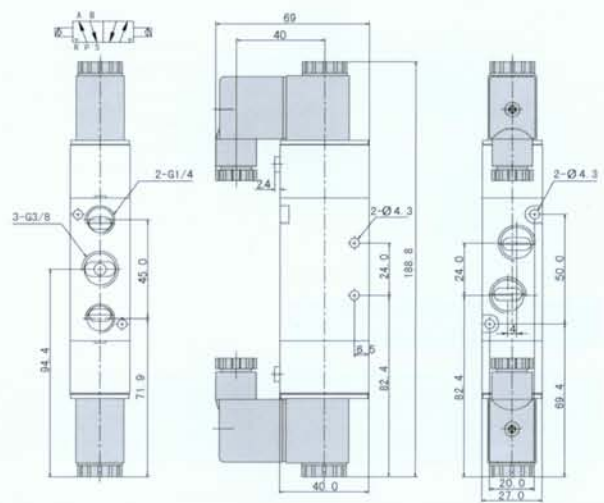
● TYPE: N4V310-10



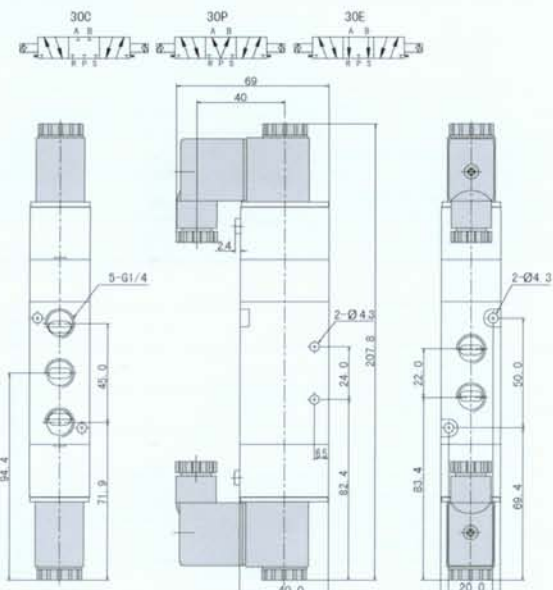
● TYPE: N4V320-08



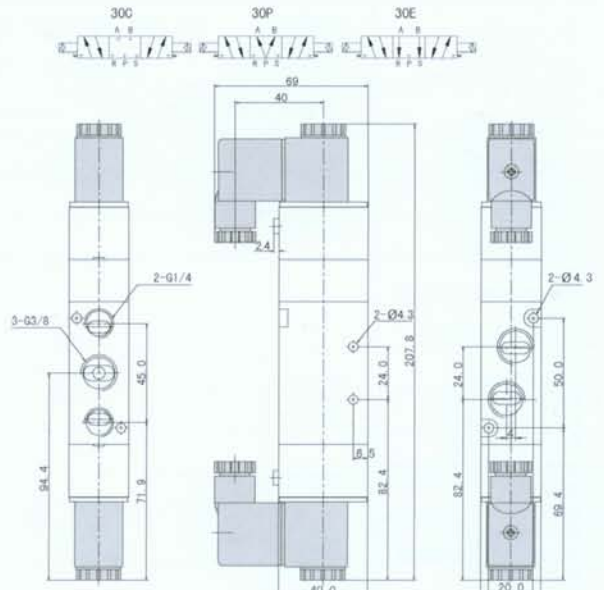
● TYPE: N4V320-10



● TYPE: N4V330-08

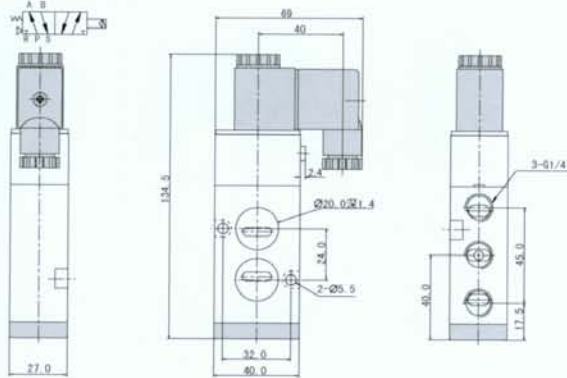


● TYPE: N4V330-10

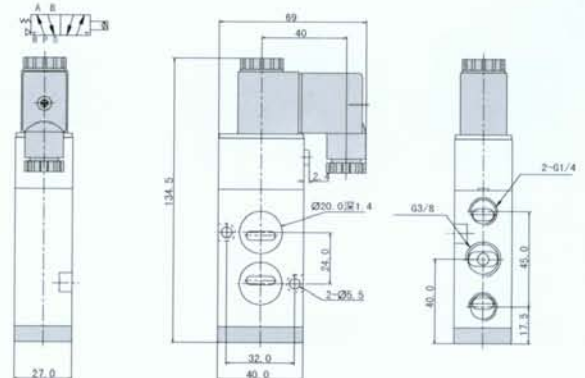


OVERALL DIMENSIONS

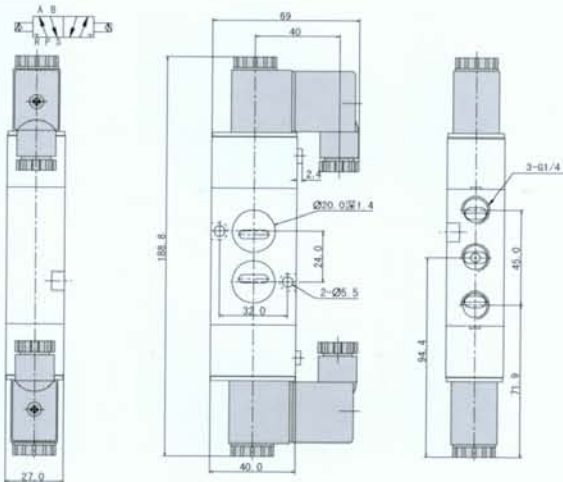
● TYPE: N4V310-08B



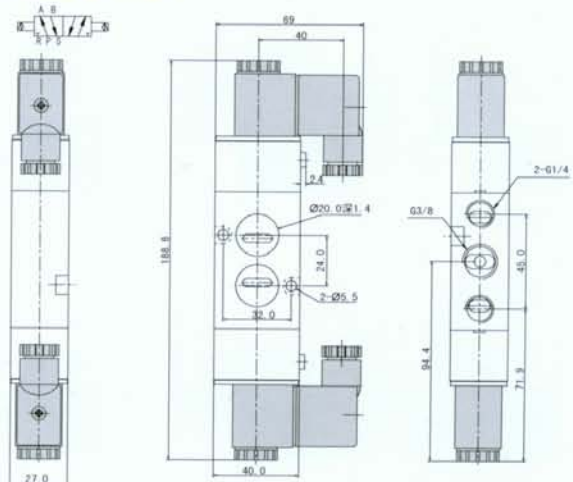
● TYPE: N4V310-10B



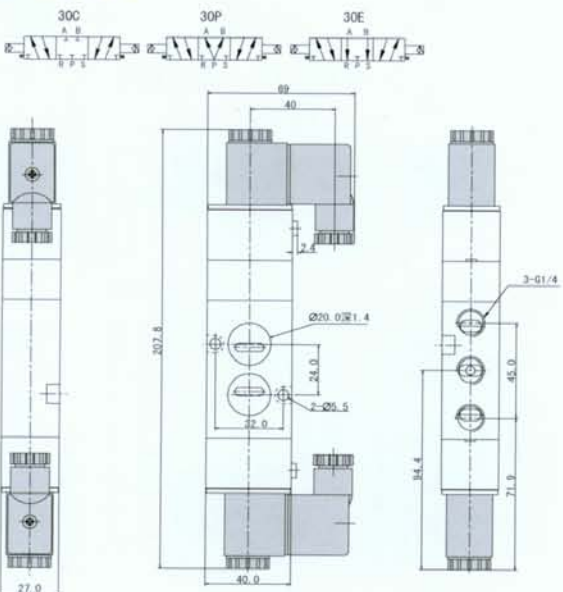
● TYPE: N4V320-08B



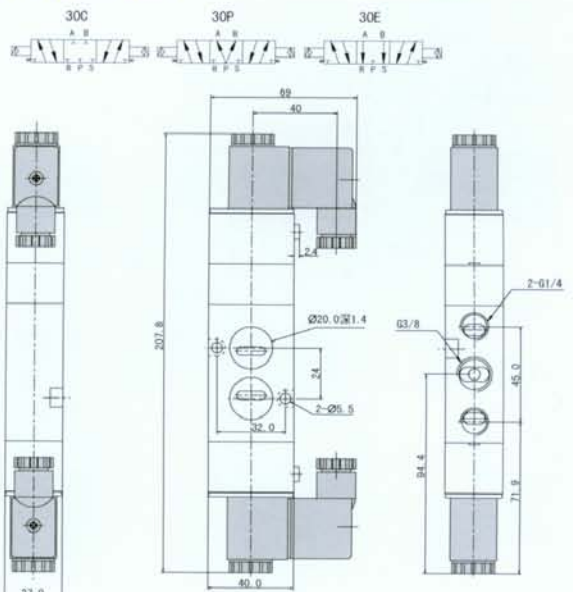
● TYPE: N4V320-10B



● TYPE: N4V330-08B

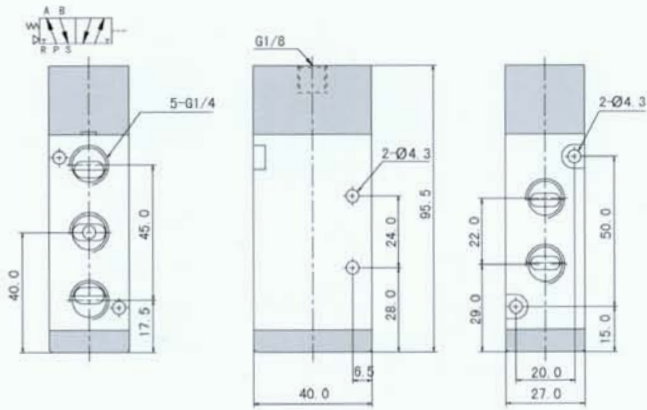


● TYPE: N4V330-10B

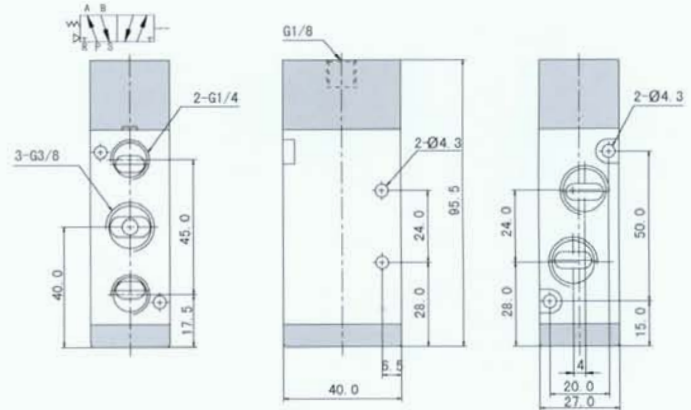


OVERALL DIMENSIONS

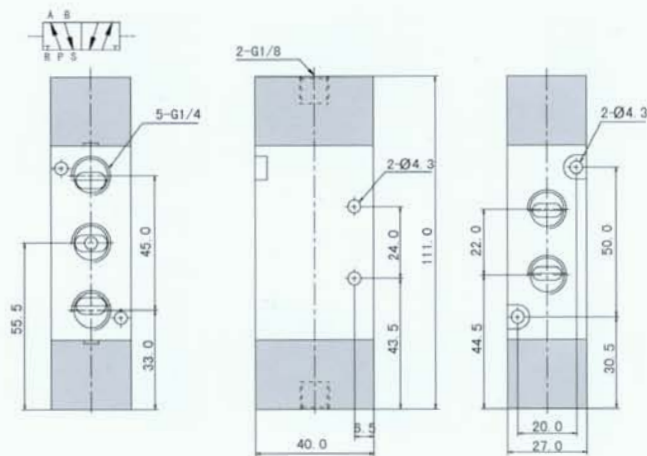
● TYPE: N4A310-08



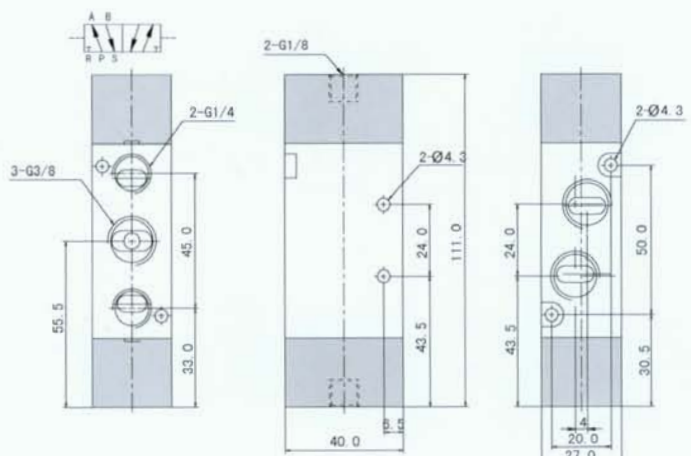
● TYPE: N4A310-10



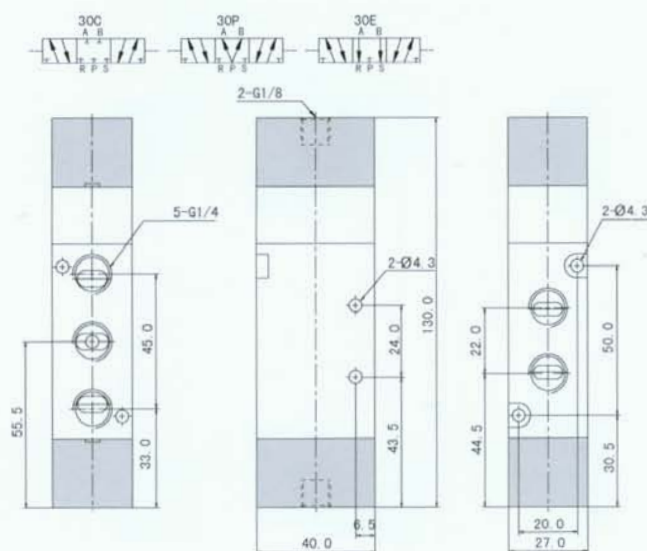
● TYPE: N4A320-08



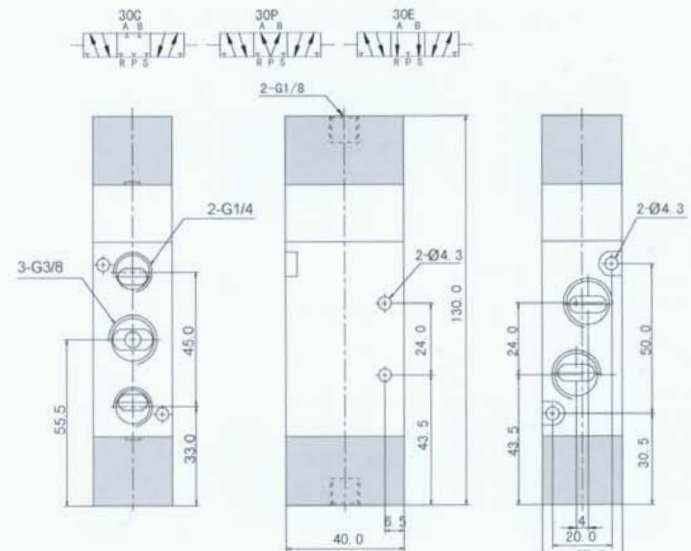
● TYPE: N4A320-10



● TYPE: N4A330-08

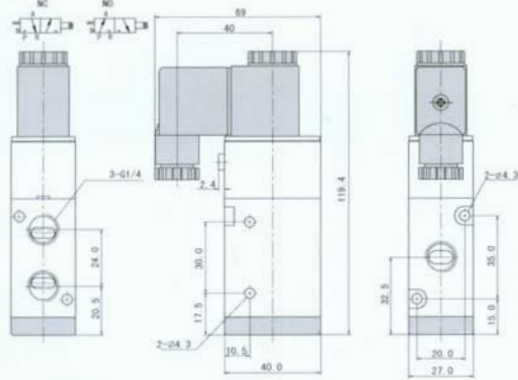


● TYPE: N4A330-10

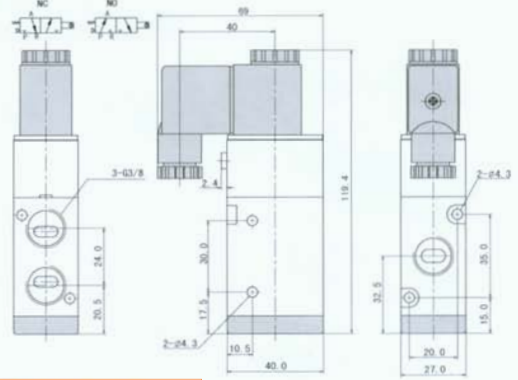


OVERALL DIMENSIONS

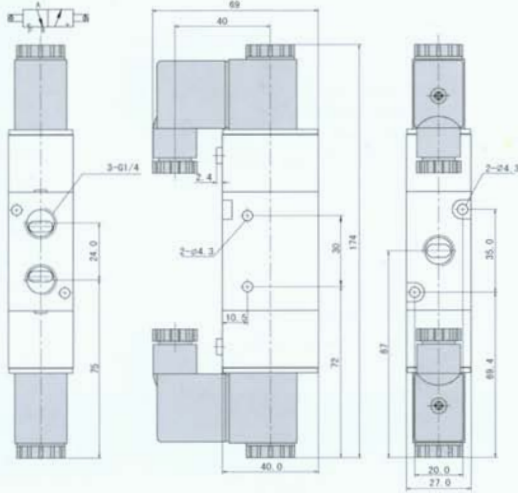
● TYPE: N3V310-08



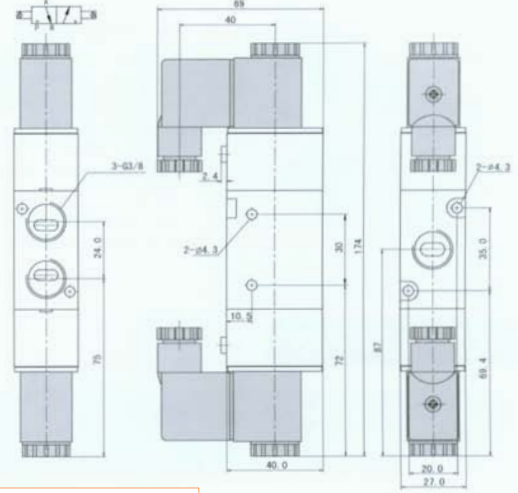
● TYPE: N3V310-10



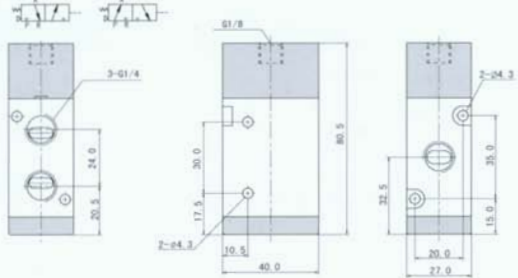
● TYPE: N3V320-08



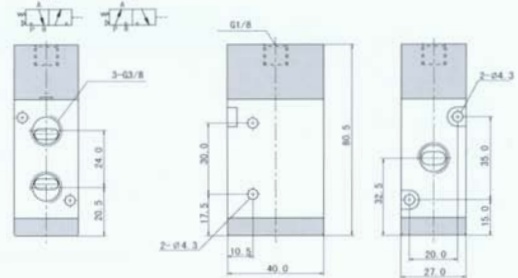
● TYPE: N3V320-10



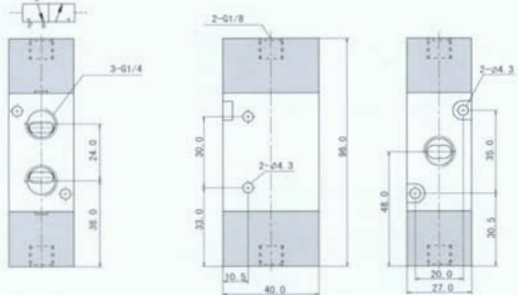
● TYPE: N3A310-08



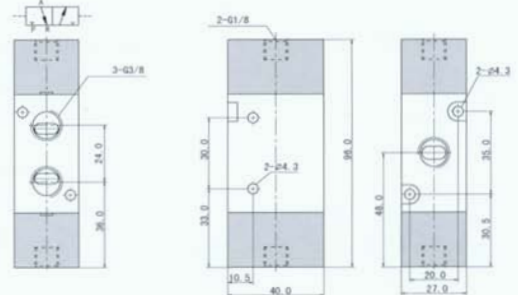
● TYPE: N3A310-10



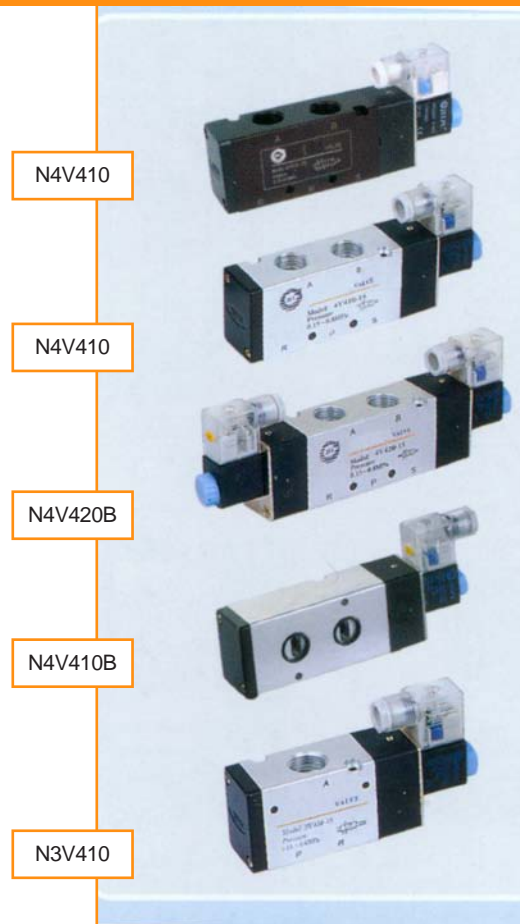
● TYPE: N3A320-08



● TYPE: N3A320-10



For our complete valves range with current prices please visit pneuforce.com



N4V410

N4V410

N4V420B

N4V410B

N3V410

ORDERING CODE

N4V

4

10

15

DC24V

W

BODY SIZE
100 Series

PORT SIZE
M5: M5 x 0.8
06: 1/8"

COIL
DC12V
DC24V
AC24V 50Hz/60Hz
AC110V 50Hz/60Hz

VALVE SERIES
4V:2/3 position
5-way
Solenoid Valve
4A:2/3 position
5-way
Pneumatic Control
Valve
3V:2 position
3-way
Solenoid Control
Valve
3A:Two position
3-way
Pneumatic
Valve

ACTUATION
10:Single actuator
2 position
20:Double actuator
2 position
30C:Double actuator
3 position centre closed
30E:Double actuator
3 position centre open
30P:Double actuator
3 position centre pressure

W: Flying Lead 600m
DIN: DIN connector
with LED

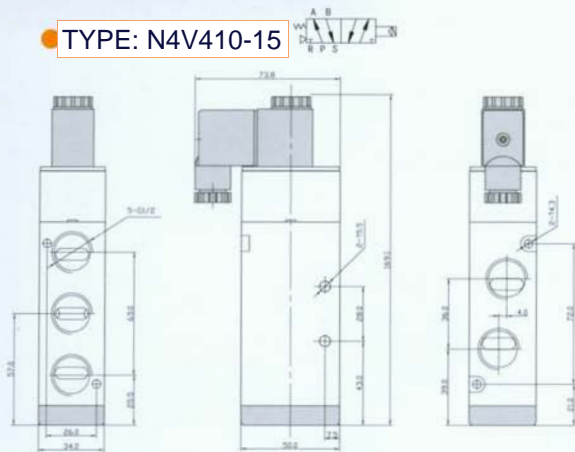
400 Series Solenoid Valve, Pneumatic Control Valve

SPECIFICATION

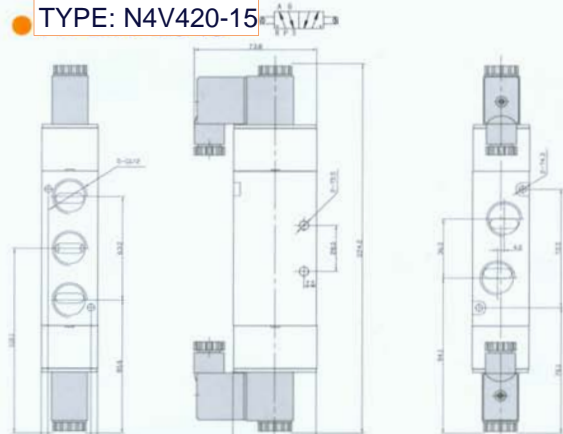
Part No.	N4V410-15	N4V420-15	N4V430C-15	N4V430E-15	N4V430P-15
	N4A410-15	N4A420-15	N4A430C-15	N4A430E-15	N4A430P-15
Valve type	Two-position Five-way			Three-position Five way	
Effective Sec. Area	50mm ² (CV=2.79)			30mm ² (CV=1.68)	
Part No.	N3V410-15	N3V420-15	N3A410-15	N3A420-15	
Valve type	Two-position Three-way				
Effective Sec. Area	50mm ² (CV=2.79)				
Port Size	Air Inlet=Air outlet=Exhaust=1/2"NPT				
Medium	40 Micron Filtered Air				
Working Pressure	22psi-120psi				
Supply Pressure	180psi				
Oper. temp.	41-122°F				
Volt. Range	± 10%				
Power Cons.	AC: 5.5VA DC:4.8W				
Insulation & Protec. Class	F/ IP65 / F Class IP65				
Coil Connect.	Flying Lead or DIN Connector				
Oper. Cycle	5 Cycle / Sec				
Actuation time	0.05 / 0.05 Second				

OVERALL DIMENSIONS

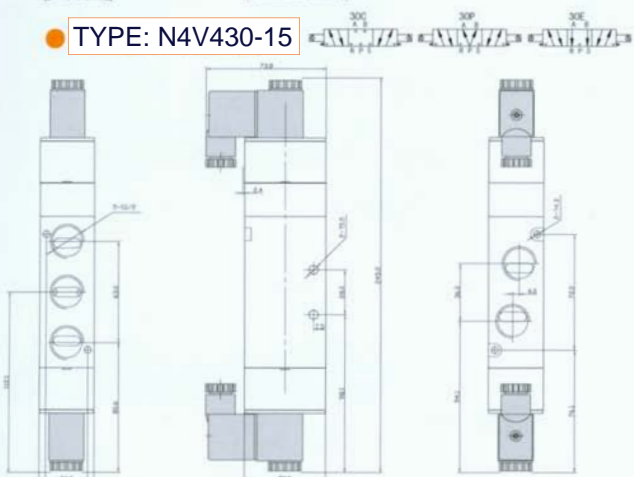
● TYPE: N4V410-15



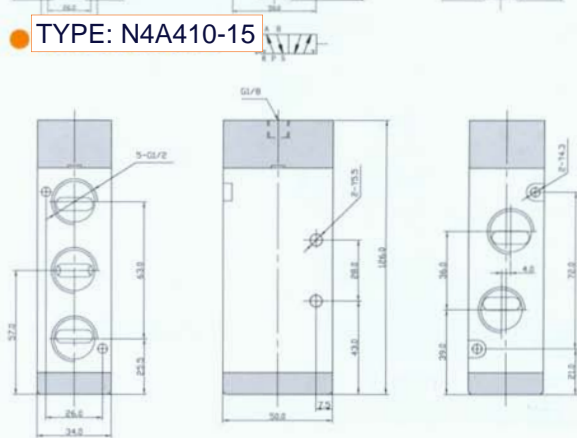
● TYPE: N4V420-15



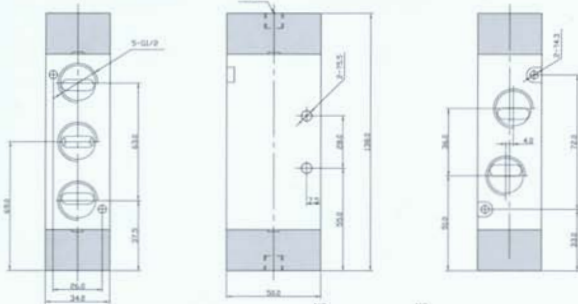
● TYPE: N4V430-15



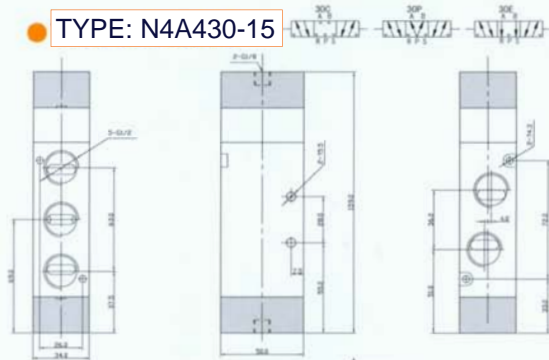
● TYPE: N4A410-15



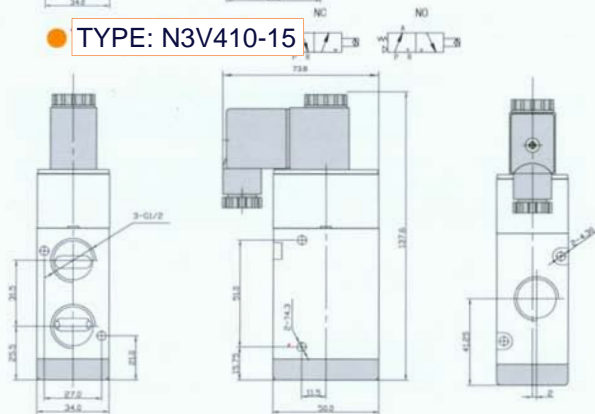
● TYPE: N4A420-15



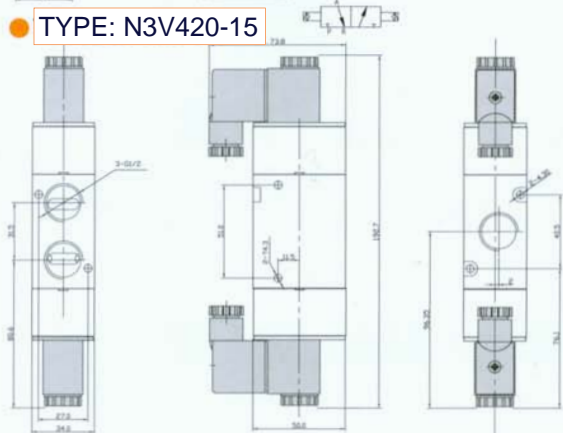
● TYPE: N4A430-15



● TYPE: N3V410-15

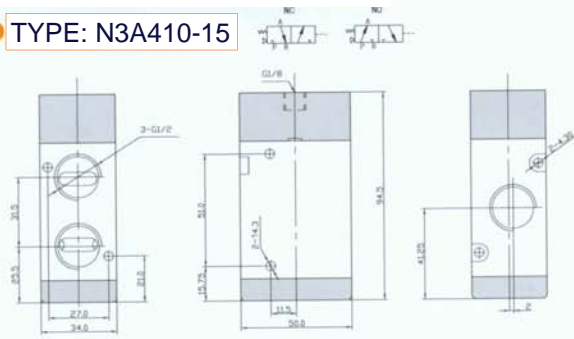


● TYPE: N3V420-15

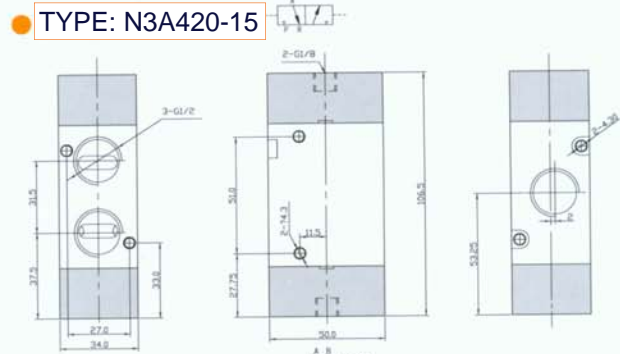


OVERALL DIMENSIONS

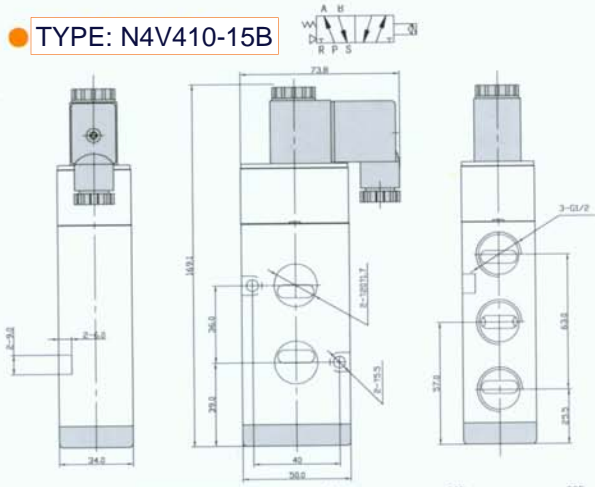
● TYPE: N3A410-15



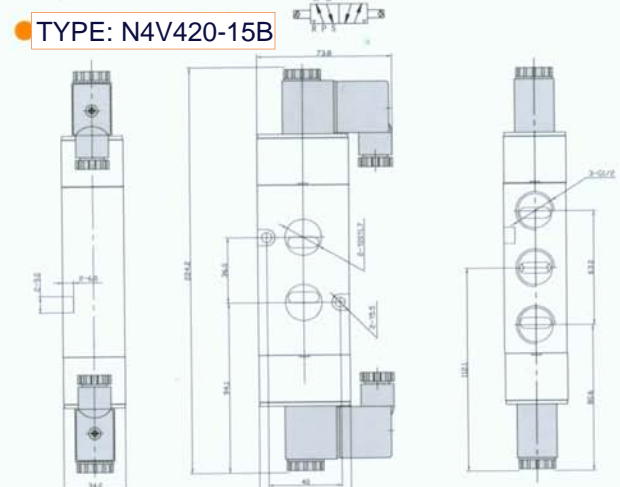
● TYPE: N3A420-15



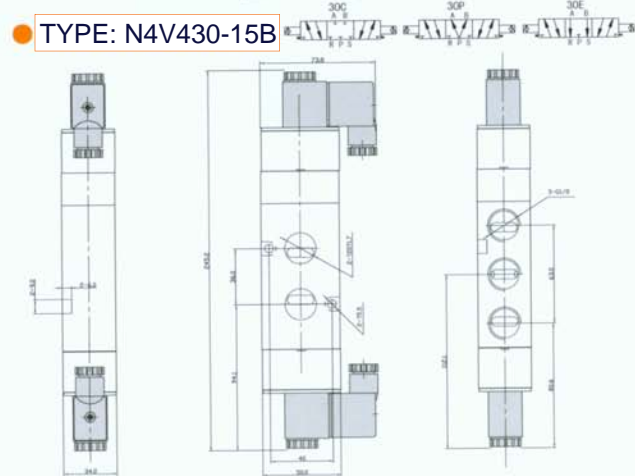
● TYPE: N4V410-15B



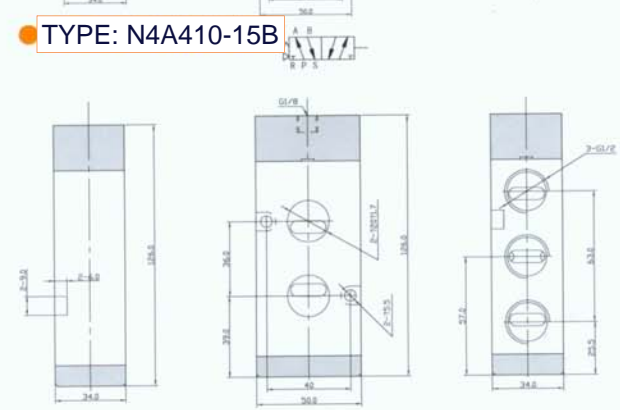
● TYPE: N4V420-15B



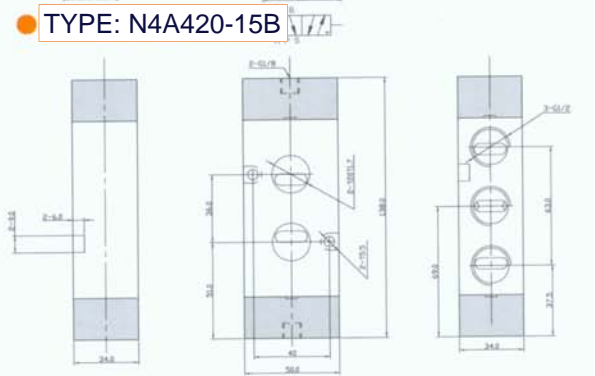
● TYPE: N4V430-15B



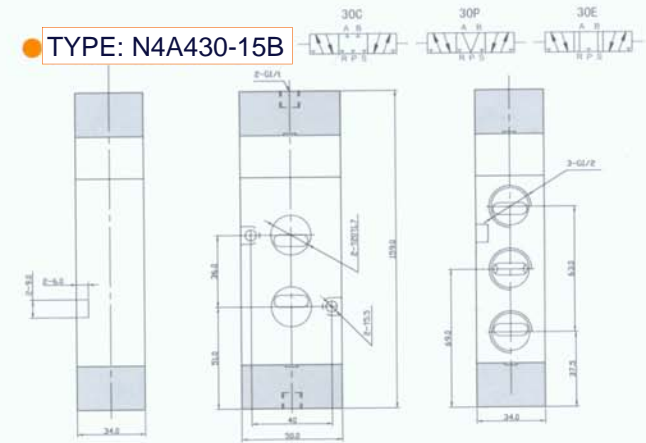
● TYPE: N4A410-15B



● TYPE: N4A420-15B



● TYPE: N4A430-15B



For our complete valves range with current prices please visit pneuforce.com



N3V410

100-400 Series Base

MANIFOLDS

N3V

VALVE TYPE
3V:2 position
3-way Valve
4V:2/3
position
5-way
Valve

2-10

VALVE SERIES
1: 100 Series
2: 200 Series
3: 300 Series
4: 400 Series

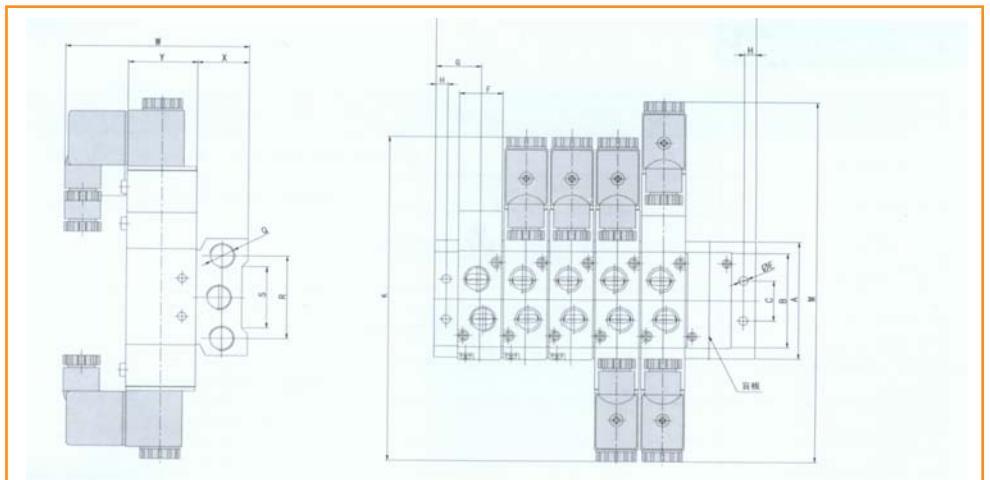
2 F

VALVE NUMBER
1
2
3
4
5
6
7
8
9
10
11
12

BLANKING PLATES

Part Number	Valve Series
MBP1:	1: 100 Series
MBP2:	2: 200 Series
MBP3:	3: 300 Series
MBP4:	4: 400 Series

OVERALL DIMENSIONS



Inside Diameter/Symbol	A	B	C	E	F	G	H	K	L	M	Q	R	S	W	X	Y
100M - 2F	58	44	20	4.2	18.3	19	5	140	$(n-1)*19+38$	155	G1/4	40	30	78.5	25	27
200M - 2F	61	51	21	4.3	22.4	23	6	170	$(n-1)*23+46$	189	G1/4	43	32	92.5	26	35
300M - 2F	75	65	26	4.5	27.3	27	6	189	$(n-1)*28+54$	208	G3/8	53	48	99	30	40
400M - 2F	104	95	32	5.5	34.3	31.5	7	222	$(n-1)*35+63$	243	G1/2	68	67	112	38	50

The world of Pneuforce!

ACTUATORS



CONNECTORS



FITTINGS



AIR PREPARATION



VACUUM



Contact your local distributor

pneuforce.com

a brand of Vacuforce Inc.

Buffalo, NY USA
Toronto, ON Canada

Tel: 1-866-280-3766
Fax: 1-866-280-4829

www.vacuforce.com
sales@vacuforce.com

VALVES



GAUGES



ACCESSORIES



Discover our world of accessories at **pneuforce.com**